

● 機型編號說明
● MODEL NUMBERING

FTK2512□-460M/KI006/AL16F

1

2

3

4

5

6

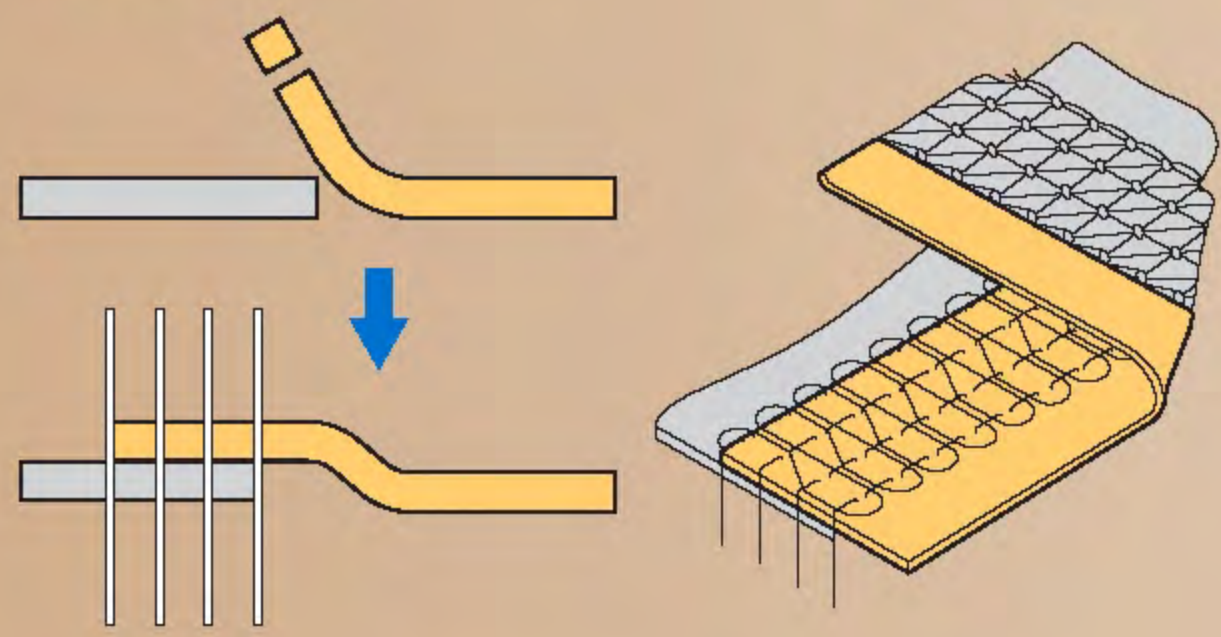
7

機型 / Machine Type:

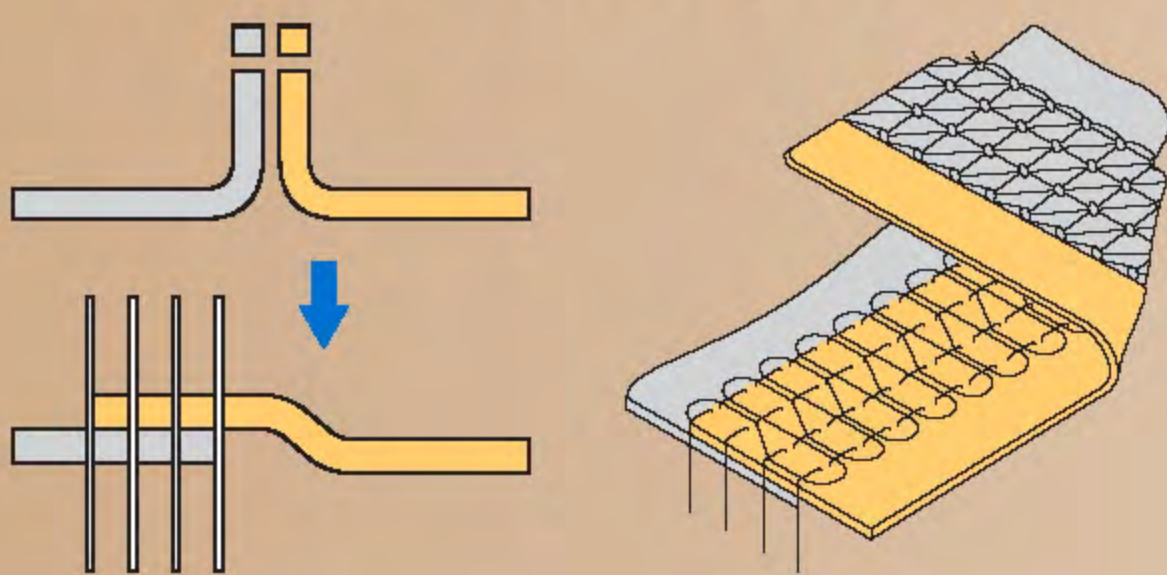
FTK25: 四針六線直驅式平台併縫機
Direct Drive 4-Needle,
6-Thread Flatbed
Flat-Seamer Machine

用途代號 / Application Code:

01: 單側(右)修邊附上飾縫
One side cut (right side cut) with top
coverstitch



12: 兩邊修剪附上飾縫
Two side cut with cover stitch suitable
for medium to heavy materials



針距 /
Needle
Distance:
52:52m.m.
56:56m.m.
60:60m.m.

針數 /
Number
Of Needle:
3:3針,3-Needle
4:4針,4-Needle

延伸機型代號 /
Subclass Model:
特殊需求局部修改代號
Modified Partially Due To
Special Requirements

可選擇加裝之裝置 / Optional Device:

- KI006: 吸風式自動切線裝置
Suction Type Chain Cutter
- AL16F: 氣動式壓腳提昇裝置(伺服馬達用)
Pneumatic Presser Foot Lifter
(For A/C Servo Motor Usage)
- TCS34: 氣動式切帶裝置(平台型併縫機用)
Pneumatic Type Tape Cutting System
(For Flat Bed Interlock Machines)
- CV20A: 吸風式集屑裝置
Suction Type Lint Collector
- CV20B: 吸風式集屑裝置
Suction Type Lint Collector

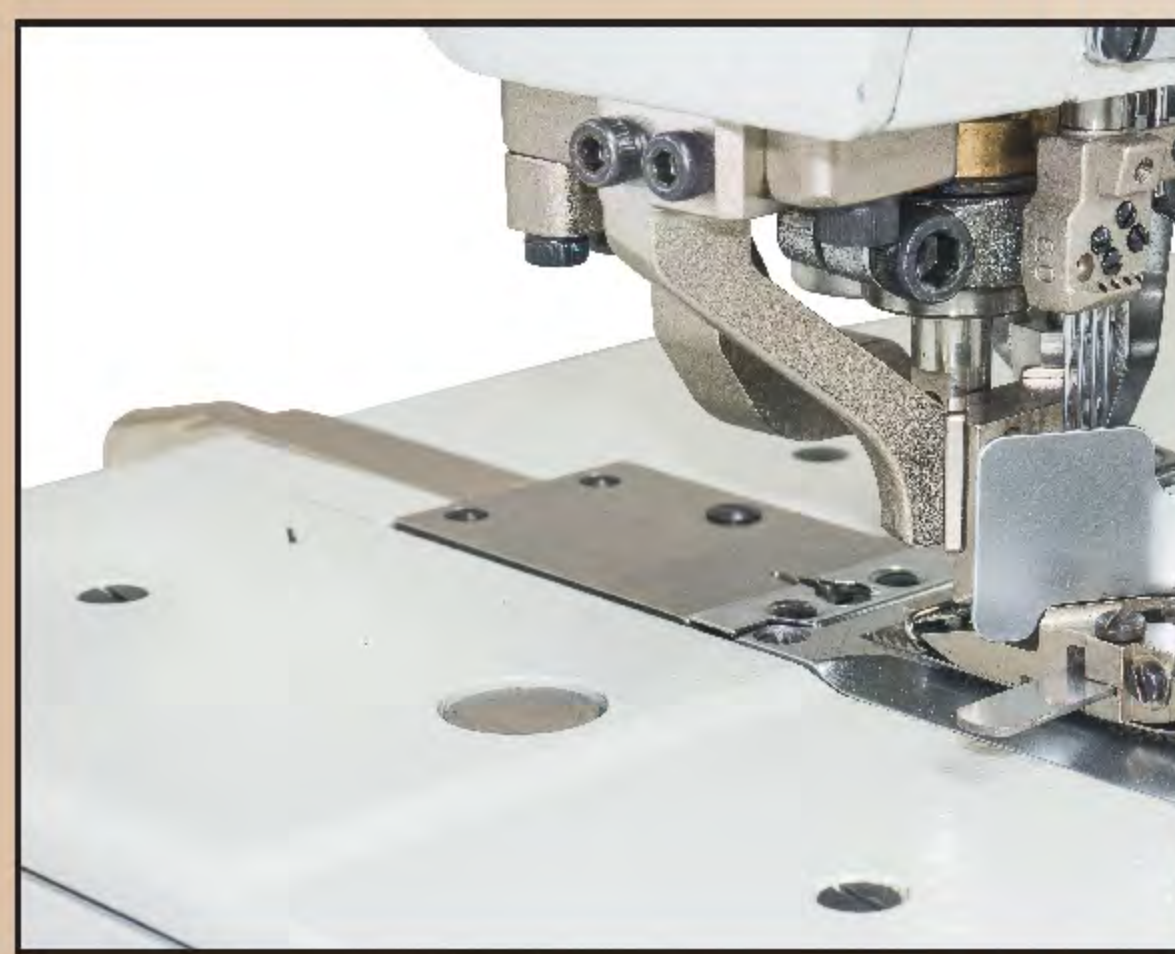
適用裁片厚度 / Materials Weight:

- M: 薄類至中厚類,窄刀
Medium to light weight materials
with standard knife
- H: 中厚類至厚類,寬刀
Medium to heavy materials
with wide knife
- S: 適合於特殊縫製需要
For Special Sewing
Requirement

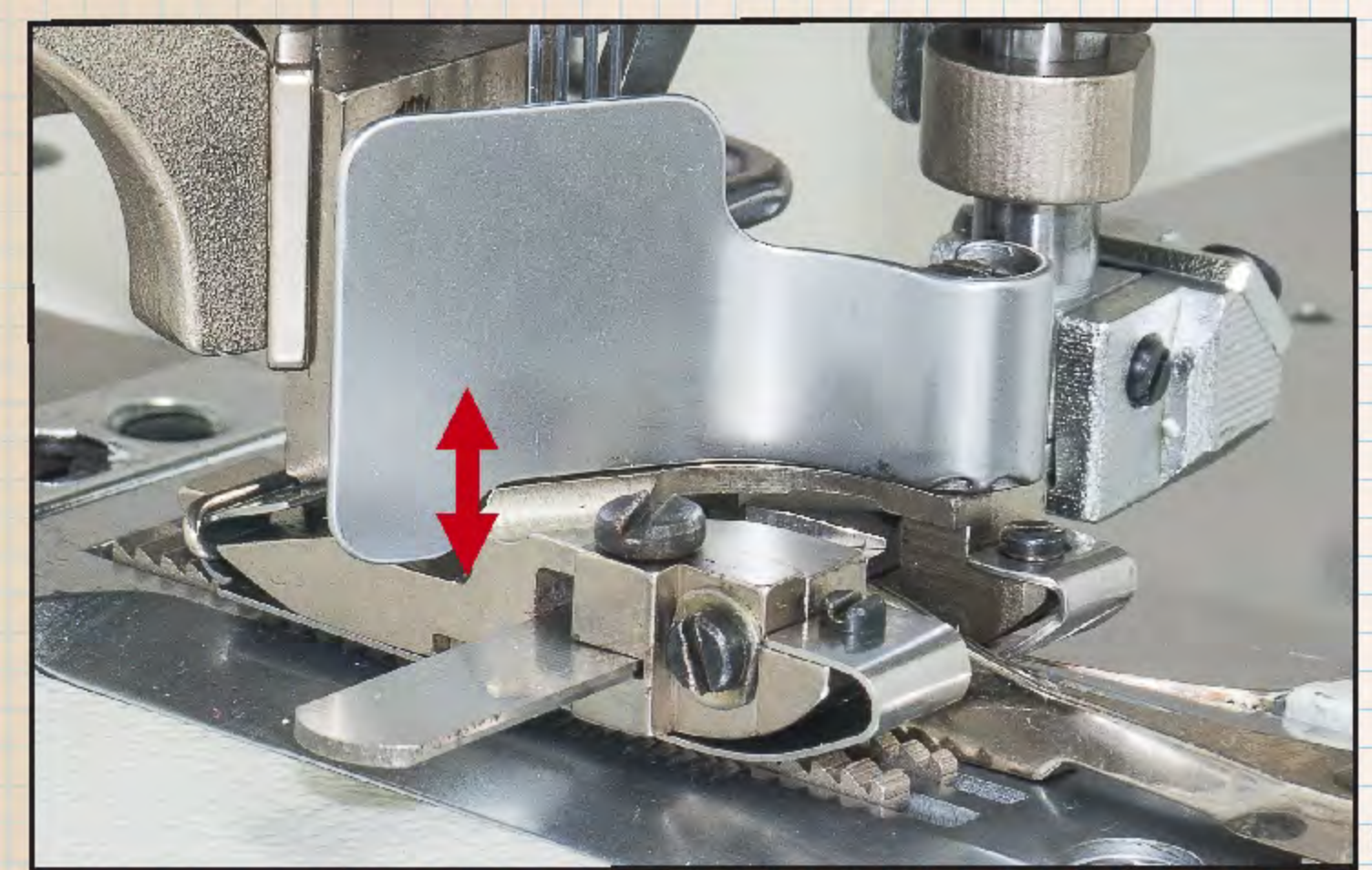
○ 一般特性
○ GENERAL FEATURES



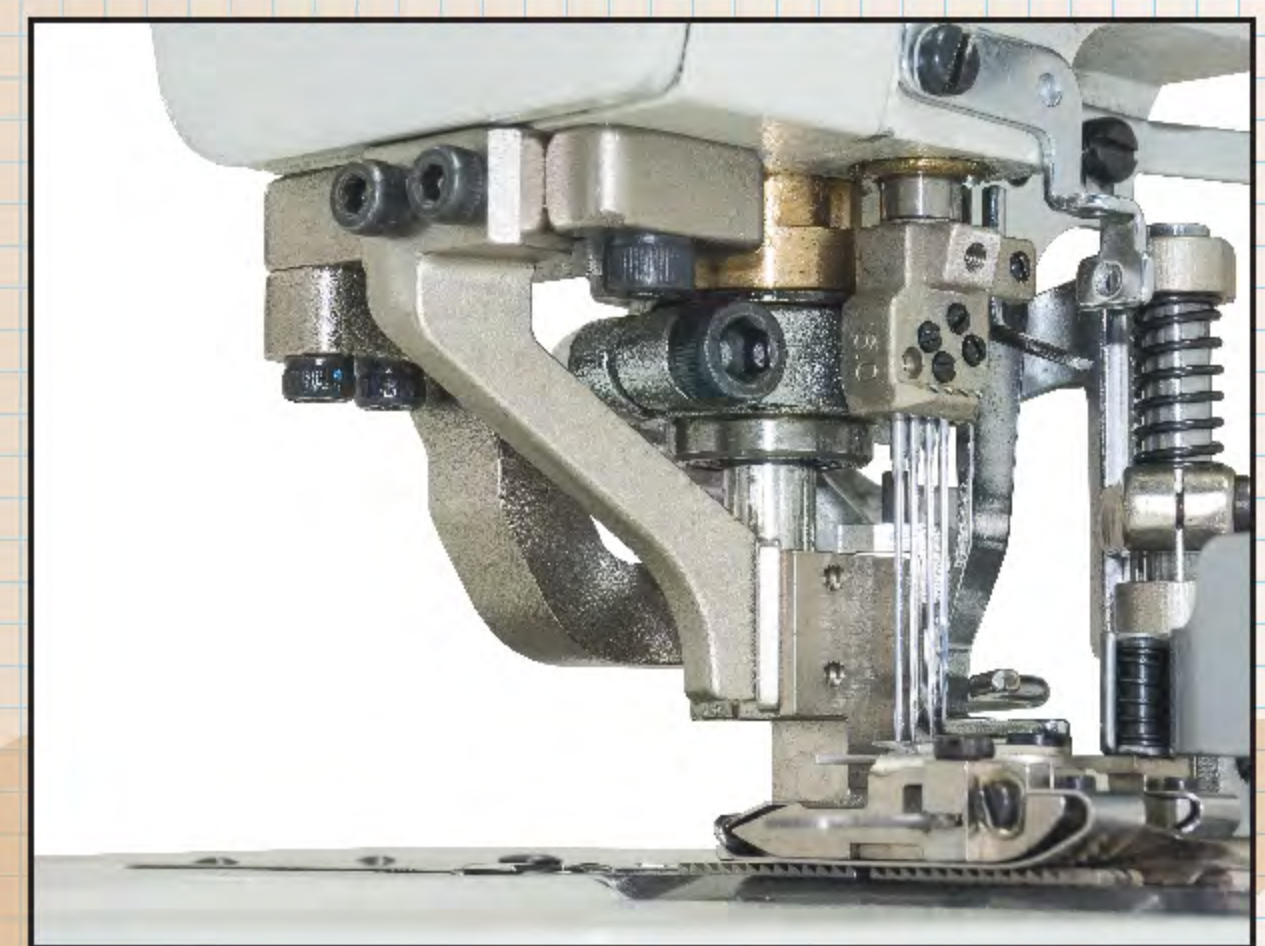
A



B



C



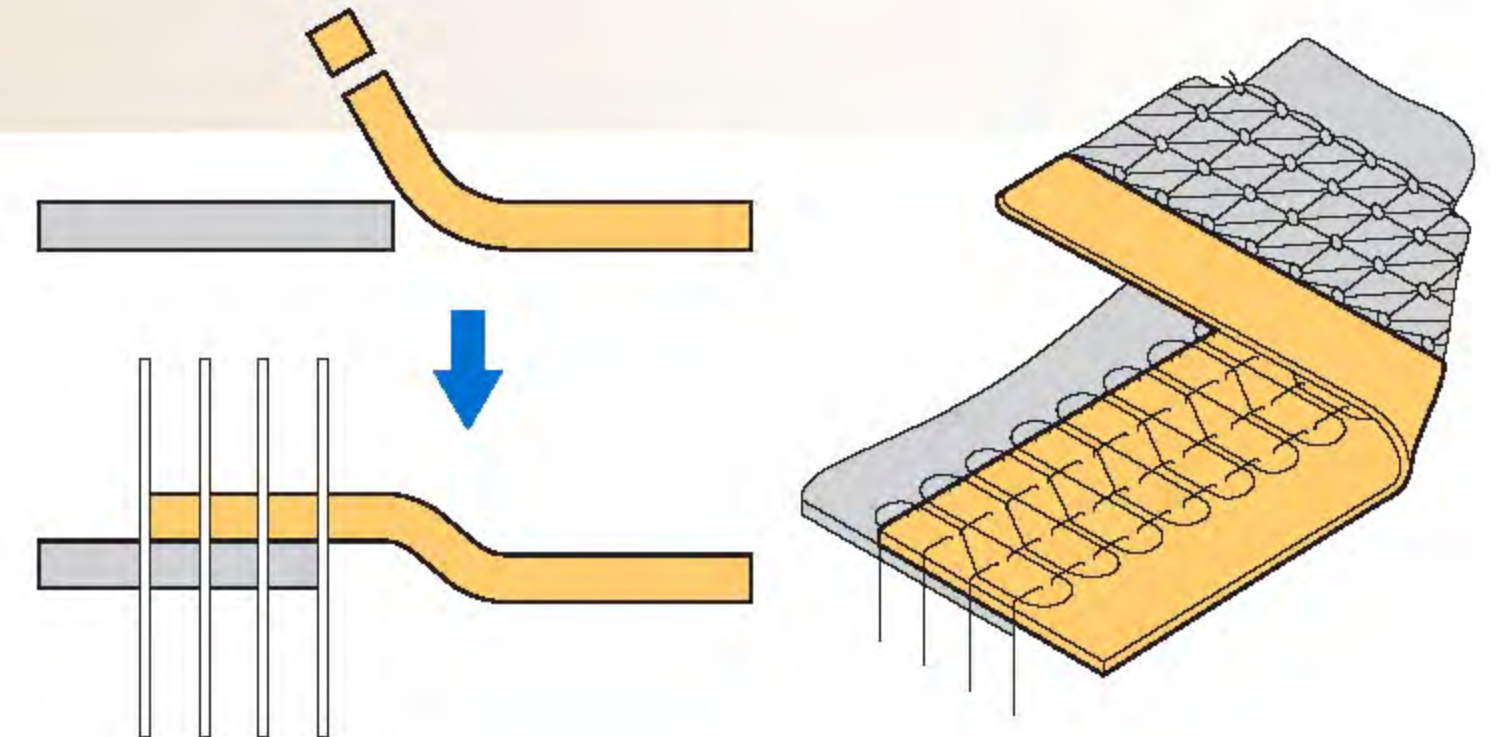
D

- 新型上線繞線機構，穿線簡單，車縫效果優美。(圖A)
New type needle thread winding system easy threading, sewing effects beautifully. (Fig. A)
- 吸風式自動切裝置。(圖B)
Suction type automatic thread trimming device. (Fig.B)
- 可調整式固定刀機構，可輕易調整密合併縫。(圖C)
Adjustable fixed knife mechanism, flat seam can be adjusted easily. (Fig.C)
- 專利設計的壓腳輔助定位系統，採裝壓腳不需調整即可復歸定位。(圖D)
Patented presser foot auxiliary setting system, no need to re-adjust the presser foot position when changing presser foot. (Fig.D)



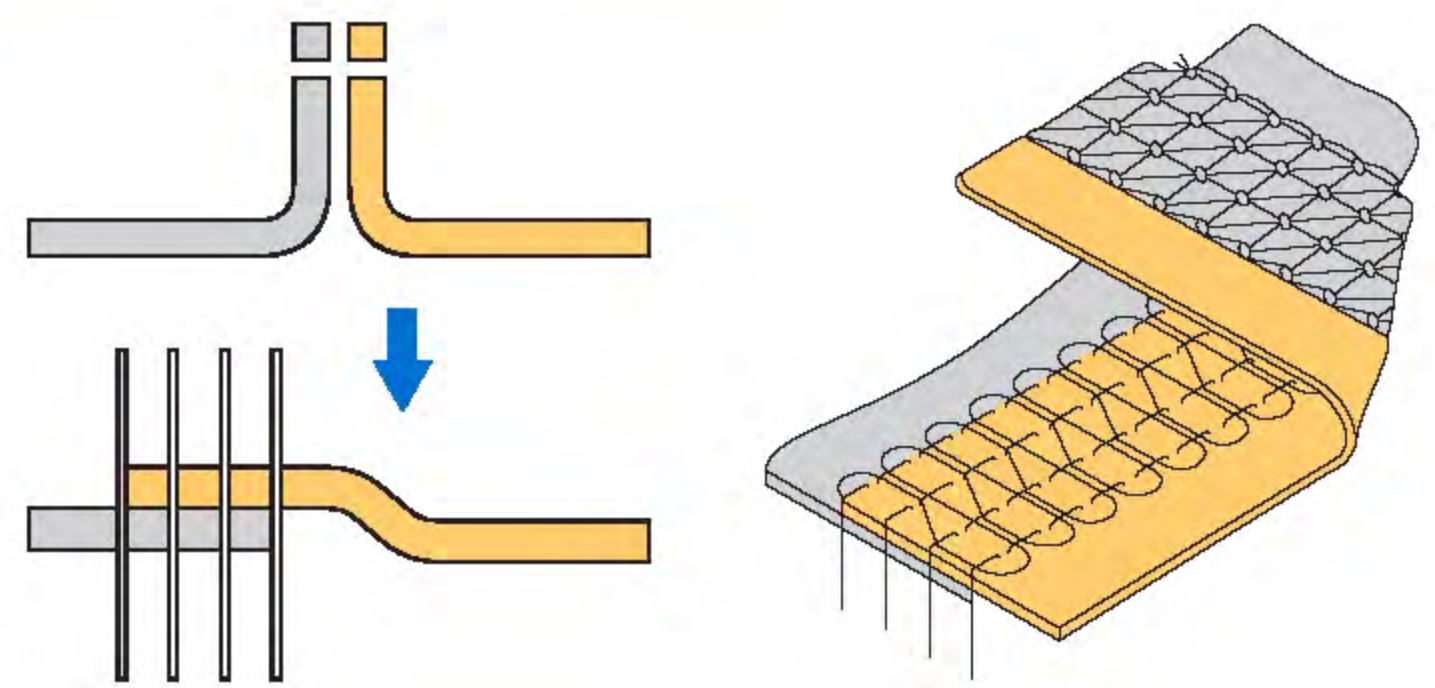
FTK 2501







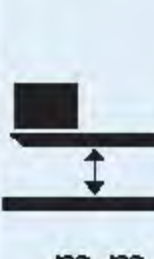


- 四針六線直驅式平台併縫機
Direct Drive 4-Needle, 6-Thread Flatbed Flat-Seamer Machine
- 單側修邊附上飾縫，適用於薄至中厚布料
One sides cut with top coverstitch, suitable for medium to light material.



FTK 2512

- 四針六線直驅式平台併縫機
Direct Drive 4-Needle, 6-Thread Flatbed Flat-Seamer Machine
- 兩側修邊附上飾縫，適用於一般中厚布料
Two sides cut with top coverstitch, suitable for medium to heavy materials.



			 m.m.	 m.m.		 m.m.	 M.Y.1014 H #	 S.P.M.	OPTIONAL DEVICE
FTK2501-452M	4	6	5.2						
FTK2501-356M	3	5	5.6						
FTK2501-460M	4	6	6.0						
FTK2512-452M	4	6	5.2						●KI006
FTK2512-356M	3	5	5.6						
FTK2512-460M	4	6	6.0	1.4~3.6	1:0.6~1:1.6	5	#10	4200	●AL16F
FTK2512-452H	4	6	5.2						
FTK2512-356H	3	5	5.6						
FTK2512-460H	4	6	6.0						●TCS34
FTK2512-452S	4	6	5.2						
FTK2512-356S	3	5	5.6						
FTK2512-460S	4	6	6.0						