

● 機型編號說明
● MODEL NUMBERING

V X D 1 5 0 0 - 3 5 6 M / U V P - X 1

1

2

3

4

5

6

機型 / Machine Type:

- VX15 : 高速縱筒型繙縫機
High Speed Feed-Up-The-Arm Interlock Machine
- VXD15 : 高速縱筒型直驅式繙縫機
High Speed Feed-Up-The-Arm Direct Drive Type Interlock Machine
- VL15 : 高速縱筒加長型繙縫機
High Speed Long Arm Feed-Up-The-Arm Interlock Machine
- VLD15 : 高速縱筒加長型直驅式繙縫機
High Speed Long Arm Feed-Up-The-Arm Direct Drive Type Interlock Machine

針距 /
Needle Distance:
48:48m.m.
56:56m.m.
60:60m.m.
64:64m.m.

針數 /
Number Of Needle:
2:2針, 2-Needle
3:3針, 3-Needle
4:4針, 4-Needle

可選擇加裝之裝置 / Optional Device :

- UVP-X1 : 氣動式自動切線裝置
Pneumatic Type Under Bed Thread Trimming System
(For High Speed Feed-Up-The-Arm Direct Drive Type Interlock Machine)
- UVE-X1 : 電動式自動切線裝置
Electric Type Under Bed Thread Trimming System
(For High Speed Feed-Up-The-Arm Direct Drive Type Interlock Machine)
- UVP-L1 : 氣動式自動切線裝置(加長型)
Pneumatic Type Under Bed Thread Trimming System
(For High Speed Long Arm Feed-Up-The-Arm Interlock Machine)

針板舌之形狀 /
Shape Of Needle Plate Tongue:
M : 適合中等厚度布料
For Medium Weight Materials.

用途代號 / Application Code:

00-0 : 三合一機型款(立骨, 倒骨及下擺)
3 in one type : folding over type and flattening out type for seam covering application and bottom hemming type.

- 02-0 : 雙鉤針環車縫
Double Chainstitch Tape Attaching
- 60-0 : 四針六線併縫機
4-Needle, 6-Thread Cylinder Bed Coverstitch Interlock Machine

○ 一般特性
○ GENERAL FEATURES



A

- 特殊粗細針按鈕設計能隨心所欲調整縫目粗細。智慧型差動微器能精密調整差動量。(如圖A)
Stitch length can be adjusted quickly as required by the smart push-button. Micro-adjustment regulator makes differential feed ratio easy and precise.

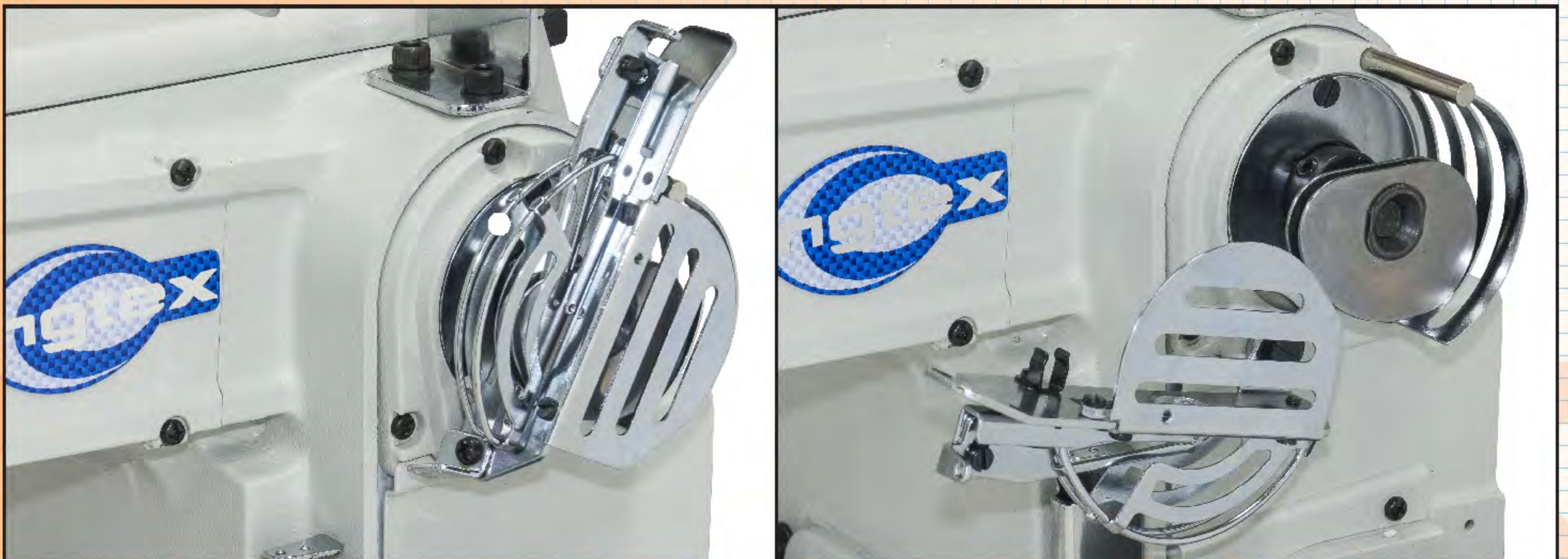
- 差動式送布齒，無波浪的縫製效果。(如圖B)
Differential feed ratio design assures free from puckering.

- 活動式底線供給結構，操作方便，可隨心所欲高低穿線。(如圖C)
New design looper take-up device for easy threading.

B



C



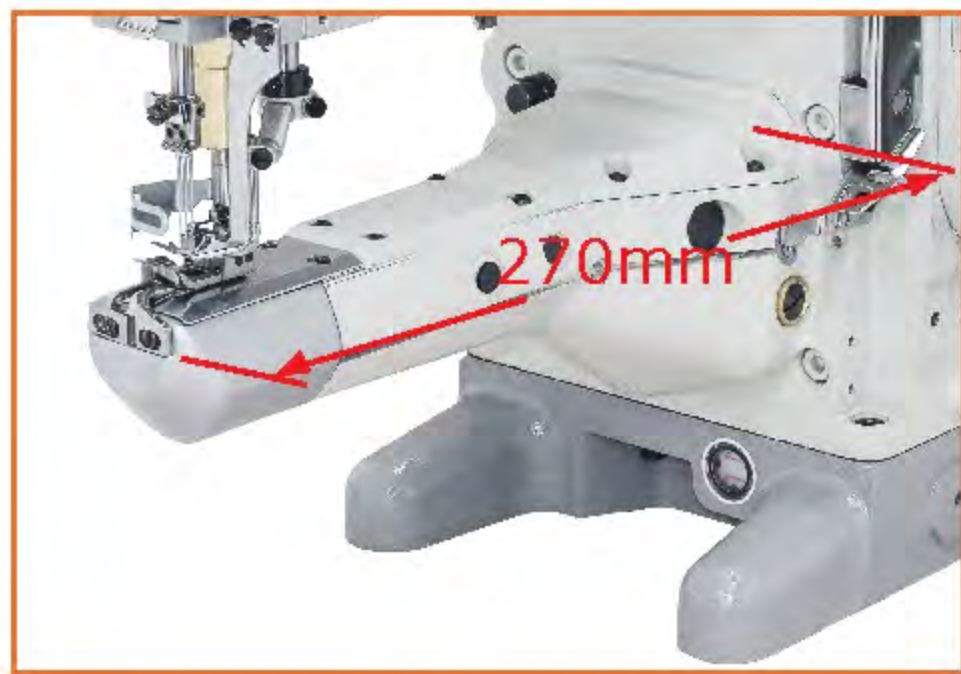


VX 1500 Series

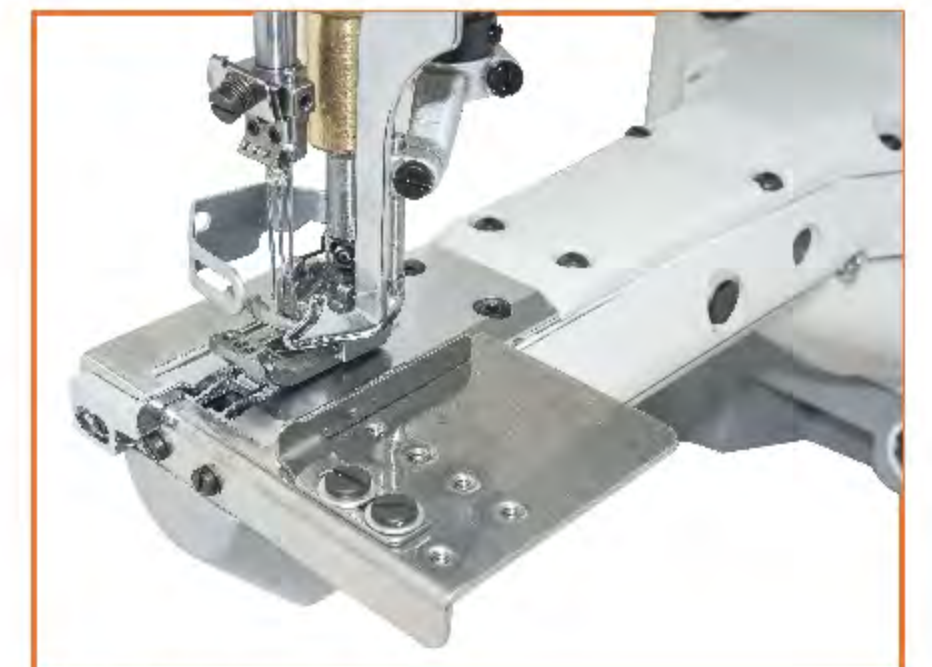
- 高速縱筒型繙縫機
High Speed Feed-Up-The-Arm Interlock Machine
- 適用於各式休閒服折袖口、折下襠和各種針織品、運動服壓骨車縫。
Applicable to stitch covering and hemming work on all kinds of small tubular knitwear, sports wear, T-shirts, underwear, etc.
- 三合一機型款(立骨, 倒骨及下擺)車縫裝置
3 in one type : folding over type and flattening out type for seam covering application and bottom hemming type.



VX1513-1



VX1513-2



VX1511-0







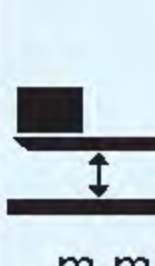




VXD 1502

- 補強帶車縫 (2針4線、雙勾針、雙鏈縫目)
Tape Attaching
(2-Needle, 4-Thread, Double Chain-Stitch)
- 男用針織內褲、T恤、運動裝、休閒服等；薄至中厚布料。
Men's knit briefs, T-shirts, polo shirts...etc.
Light to medium weight material.
- 附有補強帶車縫裝置 (TB裝置)
導模標準尺寸：入口：7/8"；出口：3/8"
With TB device, reinforcing tape binding attachment.
Standard folder size: 7/8" ; finished: 3/8".



VXD1502-0

			 m.m.	 m.m.		 m.m.	 UY128GAS #	 S.P.M.	OPTIONAL DEVICE
VX1500-0-248M	2	3	4.8						
VX1500-0-356M	3	5	5.6	1.5~5	2.5~5	6	#11	3500	●UVP-X1 ●UVE-X1
VX1500-0-364M	3	5	6.4						
VX1502-0-264M	2	4	6.4	1.5~5	2.5~5	6	#11	3500	
VX1560-0-460M	4	6	6.0	1.5~5	2.5~5	6	#11	3500	



VX

UVP-X1

- 氣動式自動切線裝置(縱筒型繙縫機)
Pneumatic Type Thread Trimming System
(For High Speed Feed-Up-The-Arm Direct Drive Type Interlock Machine)



UVE-X1

- 電動式自動切線裝置(縱筒型繙縫機)
Electric Type Thread Trimming System
(For High Speed Feed-Up-The-Arm Direct Drive Type Interlock Machine)



特點 Feature

- 本裝置可適用於所有 VXD1500 系列機種，但不單獨供應此裝置。
Suitable for all VXD1500 series machines, but only supply together with machine head.
- 須配合空壓機使用，(5kg/cm² 或 70PSI)
Compressed air is required (5kg/cm² 或 70PSI)



UVP - X1 ① ② ③ ④	① 自動切線裝置代號	① Under bed thread trimmer device
	② 機型 V:縱筒型繙縫機	② Model V:Feed-Up-The-Arm Interlock Machine
	③ 動力 P:氣動式 E:電動式	③ Power P:Pneumatic Type E:Electric Type
	④ 裝置組合代號	④ Combination of devices

MODEL	氣動式自動切線裝置 Pneumatic Type Thread Trimming System			
	(UTBVX1) 切底線裝置 Under Bed Thread Trimmer	(STBVX1) 切上飾線裝置 Top Cover Thread Trimmer	(WPCVX1) 撥線裝置 Wiper	(ALVX1) 壓腳提昇裝置 Presser foot Lifter
UVP-X1	●	●		●
UVP-X2	●		●	●

* 包裝於附件箱中 Packed in the accessories box

UVE - X1 ① ② ③ ④	① 自動切線裝置代號	① Under bed thread trimmer device
	② 機型 V:縱筒型繙縫機	② Model V:Feed-Up-The-Arm Interlock Machine
	③ 動力 P:氣動式 E:電動式	③ Power P:Pneumatic Type E:Electric Type
	④ 裝置組合代號	④ Combination of devices

MODEL	電動式自動切線裝置 Electric Type Thread Trimming System			
	(UTCVX1) 切底線裝置 Under Bed Thread Trimmer	(STCVX1) 切上飾線裝置 Top Cover Thread Trimmer	(WPGVX1) 撥線裝置 Wiper	(PFEV1) 壓腳提昇裝置 Presser foot Lifter
UVE-X1	●	●		●
UVE-X2	●		●	●

* 包裝於附件箱中 Packed in the accessories box



VL 1500 Series

- 高速縱筒加長型繙縫機
High Speed Long Arm Feed-Up-The-Arm Interlock Machine
- 適用於各式休閒服折袖口、折下襠和各種針織品、運動服壓骨車縫。
Applicable to stitch covering and hemming work on all kinds of small tubular knitwear, sports wear, T-shirts, underwear, etc.
- 三合一機型款(立骨, 倒骨及下擺)車縫裝置
3 in one type : folding over type and flattening out type for seam covering application and bottom hemming type.



VL1513-1



VL1513-2



VL1511-0

									OPTIONAL DEVICE
			m.m.	m.m.		m.m.	UY128GAS	S.P.M.	
VL1500-0-248M	2	3	4.8						
VL1500-0-356M	3	5	5.6	1.5~5	2.5~5	6	#11	3500	
VL1500-0-364M	3	5	6.4						●UVP-L1
VL1502-0-264M	2	4	6.4	1.5~5	2.5~5	6	#11	3500	
VL1560-0-460M	4	6	6.0	1.5~5	2.5~5	6	#11	3500	



VLD

UVP-L1

- 氣動式自動切線裝置(加長型)
Pneumatic Type Under Bed Thread Trimming System (For High Speed Long Arm Feed-Up-The-Arm Direct Drive Type Interlock Machine)



特點Feature

- 本裝置可適用於所有 VLD1500 系列機種，但不單獨供應此裝置。
Suitable for all VLD1500 series machines, but only supply together with machine head.
- 須配合空壓機使用，(5kg/cm² 或 70PSI)
Compressed air is required (5kg/cm² 或 70PSI)



UVP-L1	① 自動切線裝置代號	① Under bed thread trimmer device
	② 機型 V:縱筒型繙縫機	② Model V:Feed-Up-The-Arm Interlock Machine
③ 動力 P:氣動式	③ Power P:Pneumatic Type	
④ 裝置組合代號	④ Combination of devices	

MODEL	氣動式自動切線裝置 Pneumatic Type Thread Trimming System			
	(UTBVL1) 切底線裝置 Under Bed Thread Trimmer	(STBVL1) 切上飾線裝置 Top Cover Thread Trimmer	(WPCVL1) 撥線裝置 Wiper	(ALVL1) 壓腳提昇裝置 Presser foot Lifter
UVP-L1	●	●		●
UVP-L2	●		●	●

* 包裝於附件箱中 Packed in the accessories box