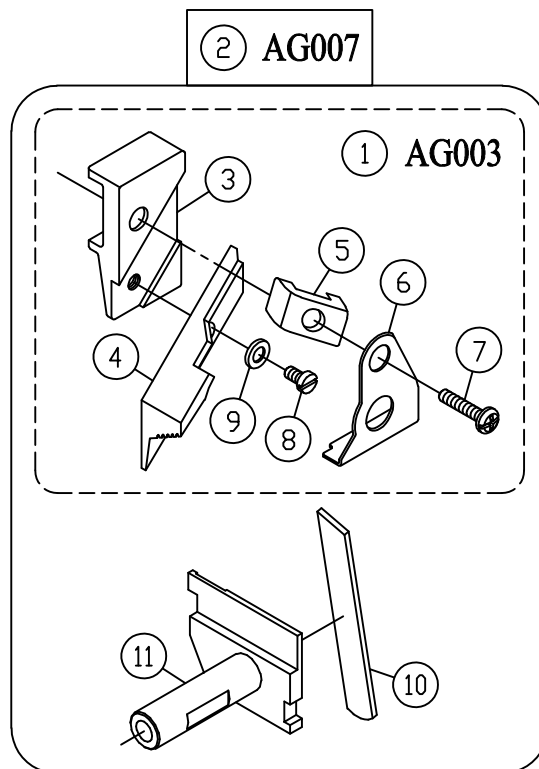


附件與裝置 ATTACHMENTS AND DEVICE (ANGLED KNIFE SET)
FOR (UH9000F)(UHD9000F)(UHF9000)(UHU9000)



AG007 角刀組 3、4 線用

附件與裝置 Attachments And Device (Angled Knife Set)
FOR (UH9000F)(UHD9000F)(UHF9000)(UHU9000)

角刀組 AG007

序號	物料編號	名稱	單位用量
Ref. No.	Parts.No.	Description	Amt. Req. AG007
** 1	/AG003	上角刀組 (UH9003F, 4F用)	Upper Angled Knife Set (For UH9003F, 4F) 1
** 2	/AG007	角刀組 (UH9003F, 4F用)	Angled Knife Set (For UH9003F, 4F) 1
3	4AG0030103	角刀座 (UH9003F, 4F用)	Knife Set (For UH9003F, 4F) 1
4	4AG0030104	上角刀	Upper Angled Knife 1
5	4AG0030105	角刀壓板	Presser Plate 1
6	4AG0030106	切屑壓板	Angle Knife Cover 1
7	8MC04281607D	螺絲 (UH9003F, 4F用)	Screw (For UH9003F, 4F) 1
8	8MB03200406A	螺絲	Screw 1
9	4AG0030109	墊圈	Washer 1
10	4AG0050104	下平寬刀	Lower Knife 1
11	4AG0050105	下刀架 (UH9003F, 4F用)	Bracket (For UH9003F, 4F) 1

** 整組套件