

NTD SERIES

寶獅牌工業用縫紉機 INDUSTRIAL SEWING MACHINE

MODEL

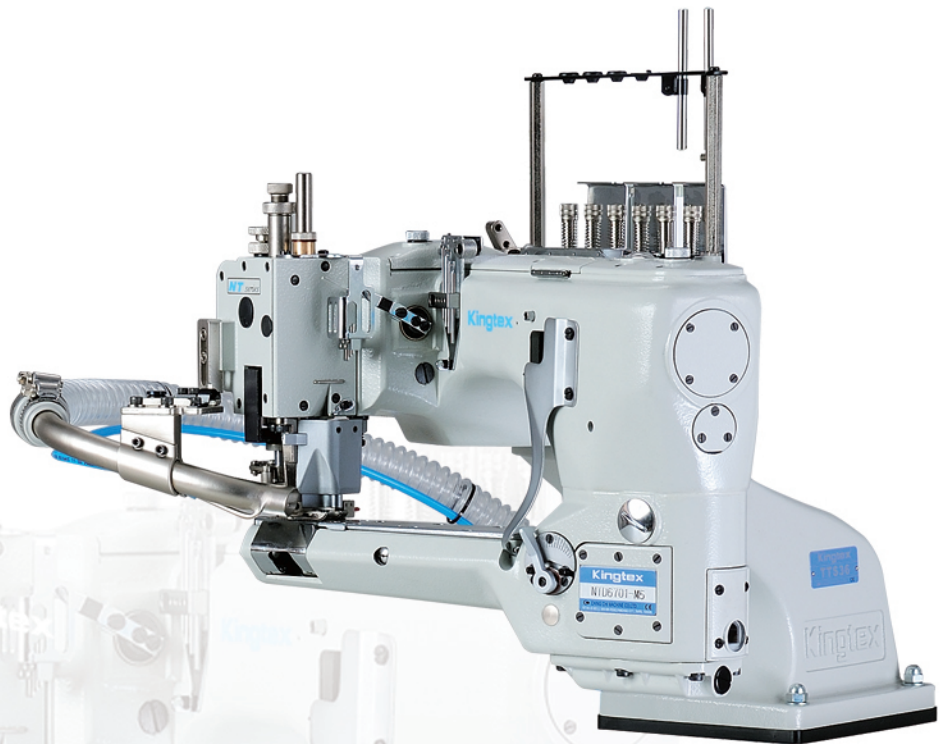
NTD6701

NTD6703

NTD6704

NTD6712

NTD6730



**4-NEEDLE, 6-THREAD
FLAT-SEAMER,
FEED-OFF-THE-ARM MACHINE**

Parts List



精機機械廠股份有限公司 CHING CHI MACHINE CO., LTD
<http://www.kingtexsewing.com.tw>

Ver 1.2 2024.04
NO. NTD630D-03-23-05

目錄 TABLE OF CONTENTS

1. 本體與外裝零件(一)	Frame And Cover(1)-----	1
2. 本體與外裝零件(二)	Frame And Cover(2)-----	3
3. NTD67本體與外裝零件(三)	NTD67 Frame And Cover(3)-----	5
NTD67本體與外裝零件(三)	NTD67 Frame And Cover(3)-----	7
4. 軸襯及孔塞	Bushing And Plug-----	9
5. 上主軸與直接結合零件	Upper Main Shaft Components-----	11
6. 下結線鉤傳動機構	Lower Looper Driving Mechanism-----	13
下結線鉤傳動機構	Lower Looper Driving Mechanism-----	15
7. 針棒傳動機構	Needle Bar Driving Mechanism-----	17
8. 上,下刀修邊機構	Upper Knife And Hook Driving Mechanism-----	19
9. 壓腳提昇機構	Press Foot Driving Mechanism-----	21
10. 送齒台差動機構(一)	Feed Driving Mechanism (1)-----	23
11. 送齒台進給機構(二)	Feed Driving Mechanism (2)-----	25
12. 縫線張力控制機構(一)	Thread Tension Control Driveing Mechanism(1)	27
13. 縫線張力控制機構(二)	Thread Tension Control Driveing Mechanism(2)	29
縫線張力控制機構(二)	Thread Tension Control Driveing Mechanism(2)	31
14. 潤滑冷卻機構	Lubrication Driveing Mechanism-----	33
15. 6線線架	6 Thread Stand Components-----	35
16. 備品,工具及附件	Accessories-----	37
NTD67車型零件列表(1)~(4)	NTD67 Gauge Set List(1)~(4)-----	APP1~4
NTD67車型組件(零件)列表	NTD67 Gauge Set List-----	APP5~6
選購品	Option-----	OPTION1~8
索引表	Index-----	

目錄 TABLE OF CONTENTS

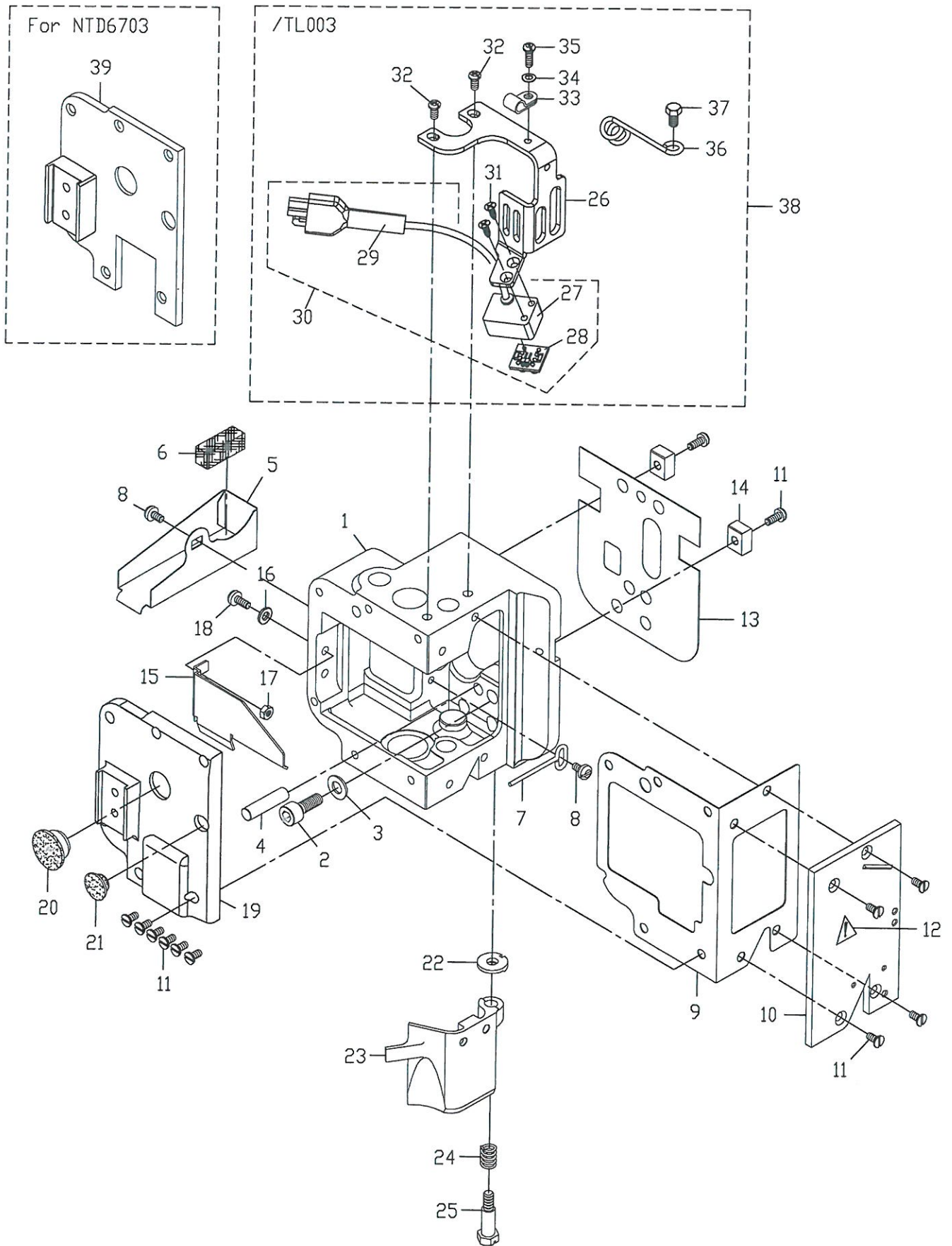
附件與副機型專用零件 SPECIFIC PARTS

A1 . 副機型NTD6701-M	Series Gauge Parts List NTD6701-M-----	A1-1
A2 . 副機型NTD6701-M356	Series Gauge Parts List NTD6701-M356-----	A2-1
B1 . 副機型NTD6703-M	Series Gauge Parts List NTD6703-M-----	B1-1
B2 . 副機型NTD6703A-H	Series Gauge Parts List NTD6703A-H-----	B2-1
B3 . 副機型NTD6703B-H	Series Gauge Parts List NTD6703B-H-----	B3-1
B4 . 副機型NTD6703C-M	Series Gauge Parts List NTD6703C-M-----	B4-1
B5 . 副機型NTD6703D-M	Series Gauge Parts List NTD6703D-M-----	B5-1
C1 . 副機型NTD6704A-M	Series Gauge Parts List NTD6704AM-----	C1-1
D1 . 副機型NTD6712-M	Series Gauge Parts List NTD6712-M-----	D1-1
D2 . 副機型NTD6712H/12A-H/12E-H	Series Gauge Parts List NTD6712H/12A-H/12E-	D2-1
D3 . 副機型NT6712F-M	Series Gauge Parts List NTD6712F-M-----	D3-1
D4 . 副機型NT6712-S	Series Gauge Parts List NTD6712-S-----	D4-1
E1 . 副機型NT6730-M	Series Gauge Parts List NTD6730-M-----	E1-1
A1 . NTD6701-M壓腳組件列表	NTD6701-M Gauge Set List-----	A1-APP1
A2 . NTD6701-M356壓腳組件列表	NTD6701-M356 Gauge Set List-----	A2-APP1
B1 . NTD6703-M壓腳組件列表	NTD6703-M Gauge Set List-----	B1-APP1
B2 . NTD6703A-H壓腳組件列表	NTD6703A-H Gauge Set List-----	B2-APP1
B3 . NTD6703B-H壓腳組件列表	NTD6703B-H Gauge Set List-----	B3-APP1
B4 . NTD6703C-M壓腳組件列表	NTD6703C-M Gauge Set List-----	B4-APP1
B5 . NTD6703D-M壓腳組件列表	NTD6703D-M Gauge Set List-----	B5-APP1
B . NTD6703系列壓腳組件列表(特註品)	NTD6703 Gauge Set List (Option)-----	B-APP1~2
C1 . NTD6704A-M壓腳組件列表	NTD6704A- M Gauge Set List-----	C1-APP1
D1 . NTD6712-M壓腳組件列表	NTD6712-M Gauge Set List-----	D1-APP1
D2 . NTD6712-H壓腳組件列表	NTD6712-H Gauge Set List-----	D2-APP1
D2 . NTD6712A-H壓腳組件列表	NTD6712A-H Gauge Set List-----	D2-APP2
D2 . NTD6712E-H壓腳組件列表	NTD6712E-H Gauge Set List-----	D2-APP3
D3 . NTD6712F-M壓腳組件列表	NTD6712F-M Gauge Set List-----	D3-APP1
D4 . NTD6712-S壓腳組件列表	NTD6712-S Gauge Set List-----	D4-APP1
D . NTD6712系列壓腳組件列表(特註品)	NTD6712 Gauge Set List (Option)-----	D-APP1~2
E1 . NTD6730-M壓腳組件列表	NTD6730-M Gauge Set List (Option)-----	E1-APP1

1. 本體與外裝零件(一) Frame And Cover (1) 240001

序號	物料編號	名稱	單位用量
Ref.No.	Parts No.	Description	Amt. Req.
1	240001001	車頭上臂 Machine Frame -----	1
2	240001005	封蓋 Machine Frame End Cover -----	1
3	240001006	軸端油封 Machine Frame End Cover Gasket -----	1
4	8MB85240605B	螺絲 Screw (NT67-01-04 3.5-0.6*6) -----	7
5	240001007	封蓋 Looper Lever Shaft Cover -----	1
6	2400010081	軸端油封 Machine Frame End Cover Gasket -----	1
7	8ME85240806A	螺絲 Screw (NT67-01-07 M3.5-0.6*8) -----	3
8	66486-4	機器號碼牌 Serial Number Plate -----	1
9	66620	鉚釘 Rivet -----	2
10	66453-2	警示貼紙 Caveat Paster-----	1
11	240001066	緩衝墊 Oil Seal Plug-----	1
12	8MM08503513B	螺絲 Screw (NT67-01-12 M8-1.25*35)-----	3
13	2400010091	隔環 Washer-----	3
14	2400010101	孔塞 Plug Screw-----	2
15	2400010113	孔塞 Screw -----	1
16	90OR090	油環 O-ring-----	2
17	8MM06403010A	螺絲 Screw (NT67-01-17 M6-1*30) -----	2
18	240001082	墊圈 Washer-----	2
19	2400010131	導油片Crank Chamber Cover Oil Shield-----	1
20	240001014	上蓋 Crank Chamber Cover-----	1
21	240001015	油封 Crank Chamber Cover Gasket-----	1
22	240001016	循環視窗 Oil Sight Top Window-----	2
23	240001017	孔塞 Screw -----	2
24	90ORP10	油環 O-ring-----	1
25	8MB95301107K	螺絲 Screw (C07-06 M4.5-0.75*1)-----	5
26	240001019	上蓋 Top Cover-----	1
27	240001020	油封 Top Cover Gasket-----	1
28	240001021	護蓋 Top Cover-----	1
29	8MC95300708A	螺絲 Screw (NT67-01-29 M4.5-0.75*7)-----	2
30	8MB85240607A	螺絲 Screw (NT67-01-30 M3.5-0.6*6)-----	2
31	8MA85240306B	螺帽 Nut (FT02-01-12 M3.5-0.6*3)-----	2
32	240001022	簧片 Top Cover Spring-----	1
33	240001067	絞鍊 Top Cover Hinge -----	1
34	8MA95300207A	螺帽 Nut (NT67-01-34 M4.5-0.6*2)-----	2
35	8MB85241107A	螺絲 Screw (NT67-01-35 M3.5-0.6*11)-----	10
36	66454-4	潤滑油貼紙 Sticker-----	2

2. 本體與外裝零件(二) 240001
 Frame And Cover (2) 240001

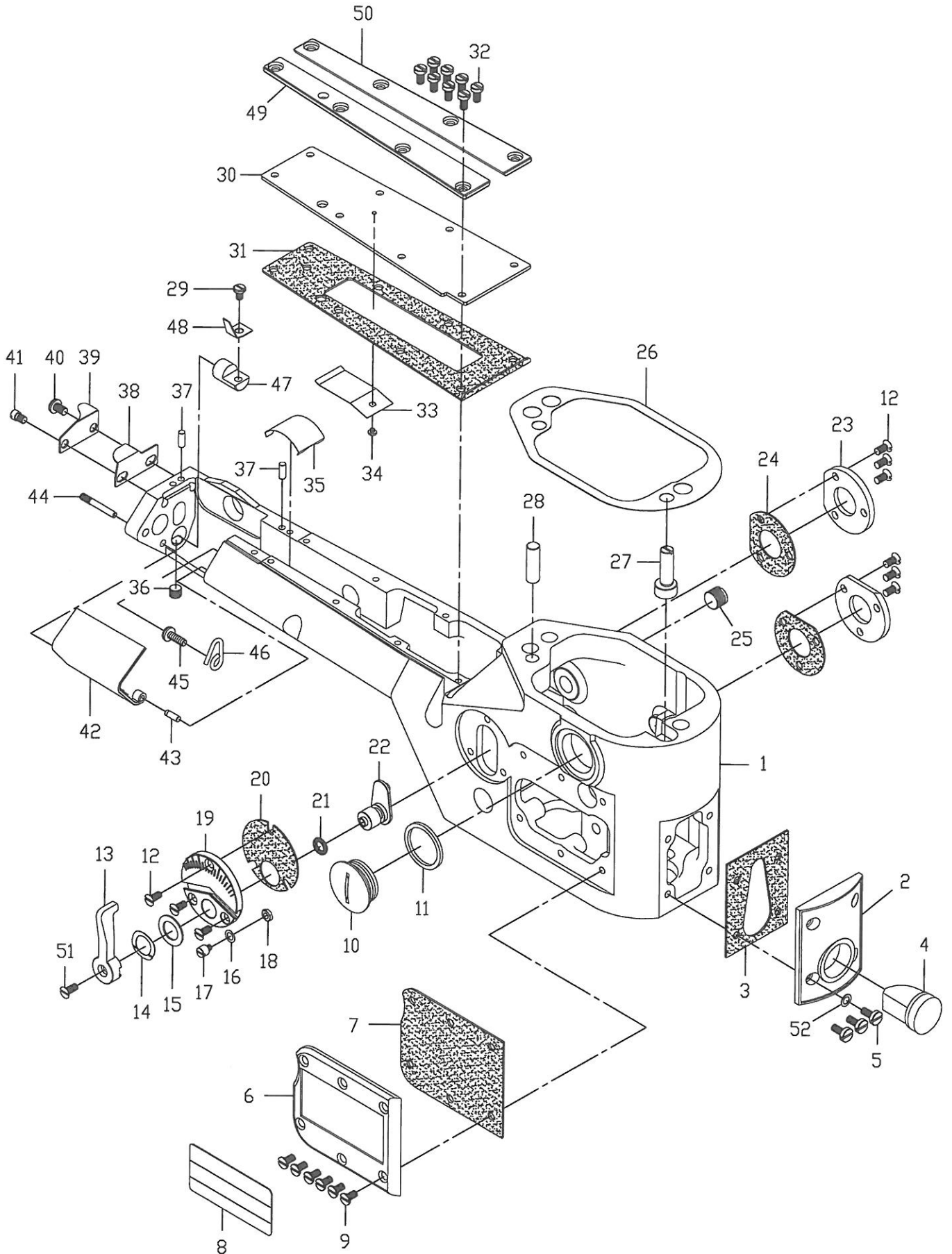


2. 本體與外裝零件(二) Frame And Cove (2) 240001

序號	物料編號	名稱	單位用量
Ref.No.	Parts No.	Description	Amt. Req.
1	240001003	針棒機構箱 Sewing Head-----	1
2	8MM06402010A	螺絲 Screw(S04-44 M6-1*20)-----	1
3	240001082	墊圈 Washer-----	1
4	90ST002E	推拔銷 Pin-----	1
5	240001033	承油盤 Knife Driving Connection Oil Guard-----	1
6	240001034	羊毛氈 Knife Driving Connection Felt-----	1
7	240001025	導油針 Oil Guide Wire-----	1
8	8MB85240607A	螺絲 Screw (NT67-01-30 M3.5-0.6*6)-----	2
9	240001028	油封 Sewing Head Cover Gasket-----	1
10	2400010271	封蓋 Sewing Head Cover-----	1
11	8MB85240806B	螺絲 Screw (NT67-02-06 M3.5-0.6*8)-----	12
12	66453-3	警示貼紙 Caveat Paster-----	1
13	240001026	防漏墊片 Sewing Head Oil Shield-----	1
14	240001024	定位鍵 Sewing Head Key-----	2
15	240001032	導油片 Thread Carrier and Hook Driving Rod Oil Guard-----	1
16	240001083	墊圈 Washer-----	2
17	8MA85240306B	螺帽 Nut (FT02-01-12 M3.5-0.6*3)-----	2
18	8MC85240807A	螺絲 Screw (NT67-03-32 M3.5-0.6*8)-----	2
19	240001177	針棒封蓋 Sewing Head Cover -----	1
20	240001031	孔塞 Seal Plug-----	1
21	240001174	孔塞 Seal Plug-----	1
22	240001072	螺帽 Nut-----	1
23	2400010353	護罩 Frame Chip Guard-----	1
24	240001071	彈簧 Frame Chip Guard Spring-----	1
25	240001073	螺樁 Screw-----	1
26	2420000217	防護罩 Needle Thrad Take-up Guard-----	1
27	2240001602	燈座 Light Holder Bracket-----	1
28	2240001603	燈 LED Light-----	1
29	2240001604	電源線 Power Connector-----	1
30	224A0001605	燈組 Light Asm.-----	1
31	8TE03440806A	螺絲 Screw (C903-41)-----	2
32	8MC04280807A	螺絲 Screw (C01-20 M4-0.7*8)-----	2
33	2240001607	線夾 Cord Clamp-----	1
34	2100000223	墊圈 Washer-----	1
35	8MC04281207D	螺絲 Screw (F01-02 M4-0.7*12)-----	1
36	240001173	集線器 Spring-----	1
37	8SK56320608A	螺絲 Screw (CT03-02-04 7/32"-56*6)-----	1
38	/TL003	LED燈組 LED Light Asm.-----	1
*39	2400010291	針棒封蓋 Sewing Head Cover -----	1

* For NTD6703

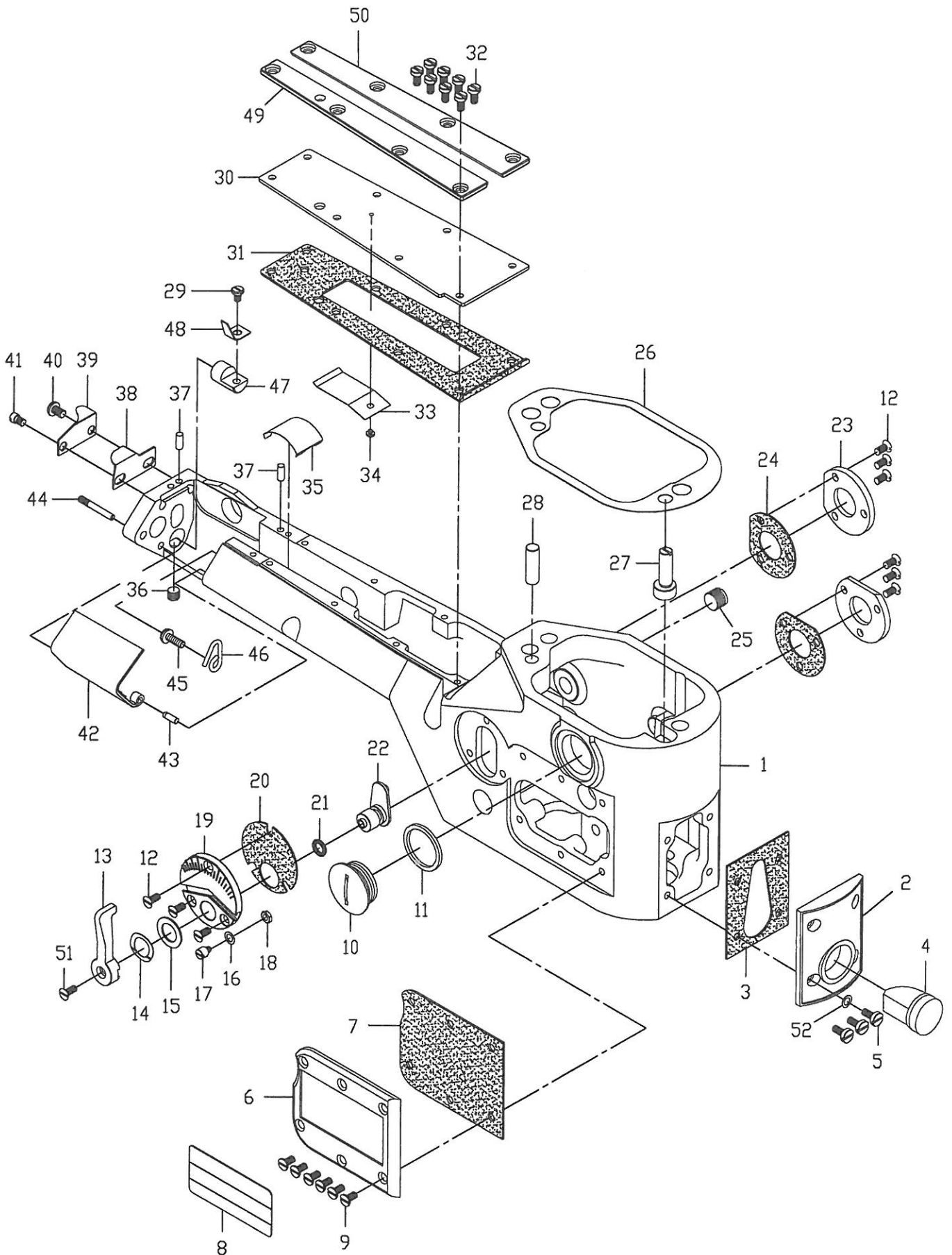
3. 本體與外裝零件(三) 240001
 Frame And Cover (3) 240001



3. 本體與外裝零件(三) Frame And Cove (3) 240001

序號	物料編號	名稱	單位用量
Ref.No.	Parts No.	Description	Amt. Req.
1	240001002	車頭下座 Sewing Cylindeder-----	1
2	240001037	封蓋 Sewing Cylindeder Cover-----	1
3	240001038	油封 Sewing Cylindeder Cover Gasket-----	1
4	240001039	油面計 Sewing Cylinder Oil Gauge-----	1
5	8MB85240806B	螺絲 Screw (NT67-02-06 M3.5-0.6*8)-----	4
6	240001040	封蓋 Sewing Cylindeder Cover-----	1
7	240001041	油封 Sewing Cylindeder Cover Gasket-----	1
8	66470-1	車型銘板 Model Plate-----	1
9	8MB85240706A	螺絲 Screw (CTS0122 M3.5-0.6*7)-----	6
10	240001042	孔塞 Plug Screw-----	1
11	240001043	油環 O-ring -----	1
12	8ME85240806A	螺絲 Screw (NT67-01-07 M3.5-0.6*8)-----	9
13	240001044	搬手 Operating Lever-----	1
14	90WW105	波形墊圈 Corrugeted Washer-----	1
15	240001046	墊圈 Washer-----	1
16	2210000547	墊圈 Washer-----	2
17	8MB03200305B	螺絲 Screw (NT6703-17 M3-0.5*3)-----	2
18	8MA03200206B	螺帽 Nut (NT67-03-18 M3-0.5*2)-----	2
19	240001047	刻記板 Adjusting Dial-----	1
20	240001048	油封 Sewing Cylindeder Cover Gasket-----	1
21	90OR060	油環 O-ring -----	1
22	2400010492	變距搖臂 Adjusting Lever-----	1
23	240001050	封蓋 Sewing Cylindeder Cover-----	2
24	2400010511	軸端油封 Drive Shaft Cover Gasket-----	2
25	240001065	孔塞 Plug Screw-----	1
26	2400010643	防漏墊片 Sewing Cylinder Gauge-----	1
27	240001052	調校偏心銷 Sewing Cylinder Alignment Eccentric Pin-----	1
28	90ST003E	直梢 Knock Pin-----	1
29	8SB36400506A	螺絲 Screw (C12-40 9/64"-40*5)-----	1
*30	2400010531	送齒台架封蓋 Sewing Cylinder Cover-----	1
31	240001054	送齒台架油封 Sewing Cylinder Cover Gasket-----	1
32	8MC85240807A	螺絲 Screw (NT67-03-32 M3.5-0.6*8)-----	8
33	240001055	簧片 Dust Defender-----	1
34	8SC24560204A	螺絲 Screw (NT67-03-34 3/32"-56*2)-----	1
35	240001056	簧片 Dust Defender-----	1
36	8MN05320400A	螺絲 Screw (M09-44 M5-0.8*4)-----	1
37	90ST001E	直銷 Pin-----	2
38	2400010571	割線刀 Chain-off Cutting Knife-----	1
39	240001058	線環導軌 Chain-off Cutting Knife Gasket-----	1
40	8MC04280607D	螺絲 Screw (UH01-27 M4-0.7*6)-----	1
41	8MB04280505M	螺絲 Screw (UH01-27 M4-0.7*6)-----	1
42	2400010592	防護罩 Looper Cover-----	1
43	240001070	定位梢 Pin-----	1
44	240001060	樞銷 Screw-----	1

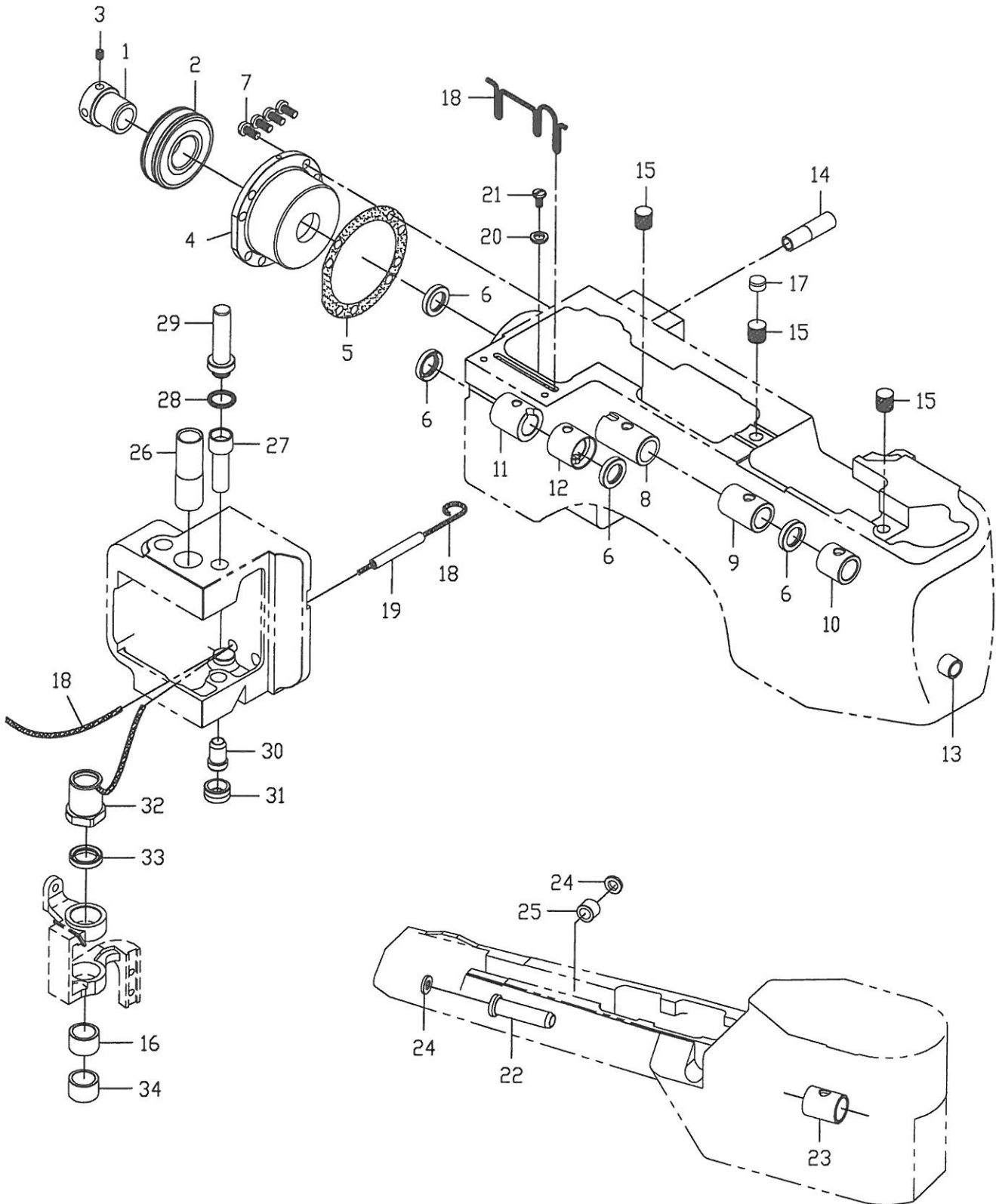
3. 本體與外裝零件(三) 240001
 Frame And Cover (3) 240001



3. 本體與外裝零件(三) Frame And Cove (3) 240001

序號	物料編號	名稱	單位用量
Ref.No.	Parts No.	Description	Amt. Req.
45	8MB85241107A	螺絲 Screw (NT67-01-35 M3.5-0.6*11)-----	1
46	2400010614	導線 Looper Thresd Guide Wire-----	1
47	240001062	調壓旋鈕 Looper Cover Spring Support-----	1
48	240001063	簧片 Looper Cover Spring-----	1
* 49	2400010691	鳩尾導軌 Lap Former Guide Plate-----	1
* 50	2400010681	鳩尾導軌 Lap Former Guide Plate-----	1
51	8SE36400806A	螺絲 Screw (S05-30 9/64"-40*8)-----	1
52	90PW040601	墊圈 Washer-----	4
	* 雙切專用	* Exclusive Parts	

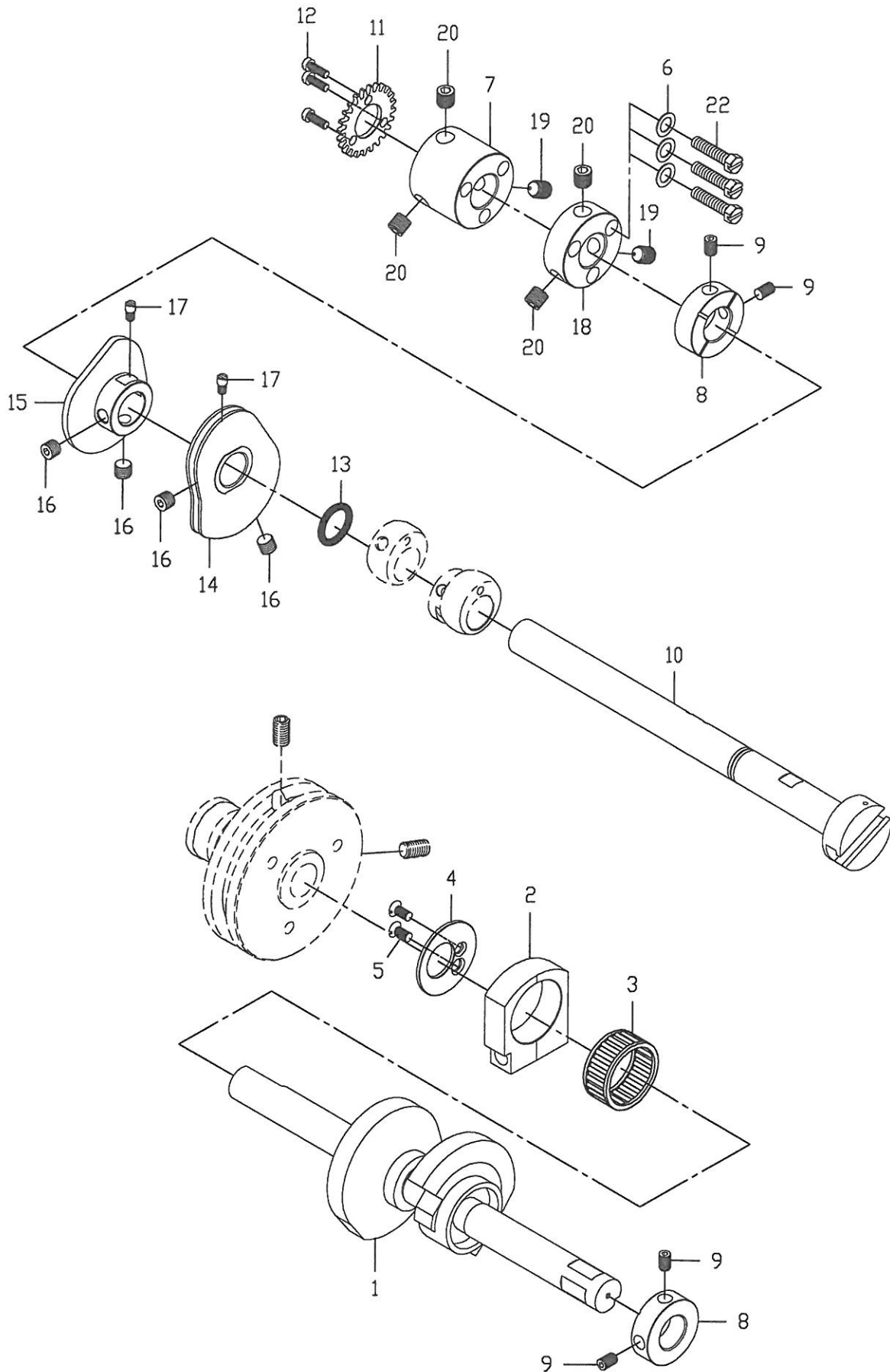
4. 軸襯與孔塞 240002
 Bushing And Plug 240002



4. 軸襯與孔塞 Bushing And Plug 240002

序號 Ref.No.	物料編號 Parts No.	名稱 Description	單位用量 Amt. Req.
1	2400020011	襯套 Adapter-----	1
2	90BB204714	滾珠軸承 Ball Bearing-----	1
3	8MN05320500E	螺絲 Screw (C09-03 M5-0.8*5)-----	2
4	2400020022	軸承座 Bushing Housing-----	1
5	2400020032	油封 Bushing Housing Gasket-----	1
6	240002027	油封 Oil Seal-----	4
7	8MB05321007X	螺絲 Screw (NT67-04-07 M5-0.8*10)-----	4
8	240002004	主軸前軸襯 Crankshaft Bushing-----	1
9	2400020052	主軸中軸襯 Main Shaft Bushing-----	1
10	240002006	主軸後軸襯 Main Shaft Bushing-----	1
11	2400020073	修刀軸左軸襯 Knife Driving Lever Bushing-----	1
12	2400020084	修刀軸右軸襯 Knife Driving Lever Bushing-----	1
13	240002009	軸襯 Looper Driving -----	1
14	2400020102	套管 Presser Foot Lifter Stop Plunger Bushing-----	1
15	240002029	羊毛氈 SP Felt-----	3
16	240002025	支架上軸襯 Bushing-----	1
17	240002012	孔塞 Seal Plug-----	1
18	66800	棉線 Oil Wick-----	2
19	66792	塑膠油管 Vinyl Tube-----	1
20	2100001241	墊圈(W2) Washer-----	1
21	8MB95301107K	螺絲 Screw (C07-06 M4.5-0.75*11)-----	1
22	240002014	下軸前軸襯 Looper Rocker Shaft Bushing-----	1
23	240002015	下軸後軸襯 Looper Rocker Shaft Bushing-----	1
24	240002028	油封 Oil Seal-----	2
25	240002016	水平調整軸襯 Feed Bar Eccentric Pin Bushing-----	1
26	2400020171	壓腳棒上軸襯 Presser Bar Bushing-----	1
27	240002018	針棒上軸襯 Needle Bar Bushing-----	1
28	90OR090	油環 O-ring-----	1
29	2400020201	針棒軸端護罩 Needle Bar Bushing Lid-----	1
30	240002021	針棒下軸襯 Needle Bar Bushing-----	1
31	241002001	油封 Oil Seal-----	1
32	240002033	壓腳棒下軸襯 Thread Carrier and Hook Sleeve Bushing-----	1
33	240002026	油封 Oil Seal-----	1
34	240002030	支架下軸襯 Bushing-----	1

5. 上主軸與直接結合零件 240003
 Upper Main Shaft Components 240003

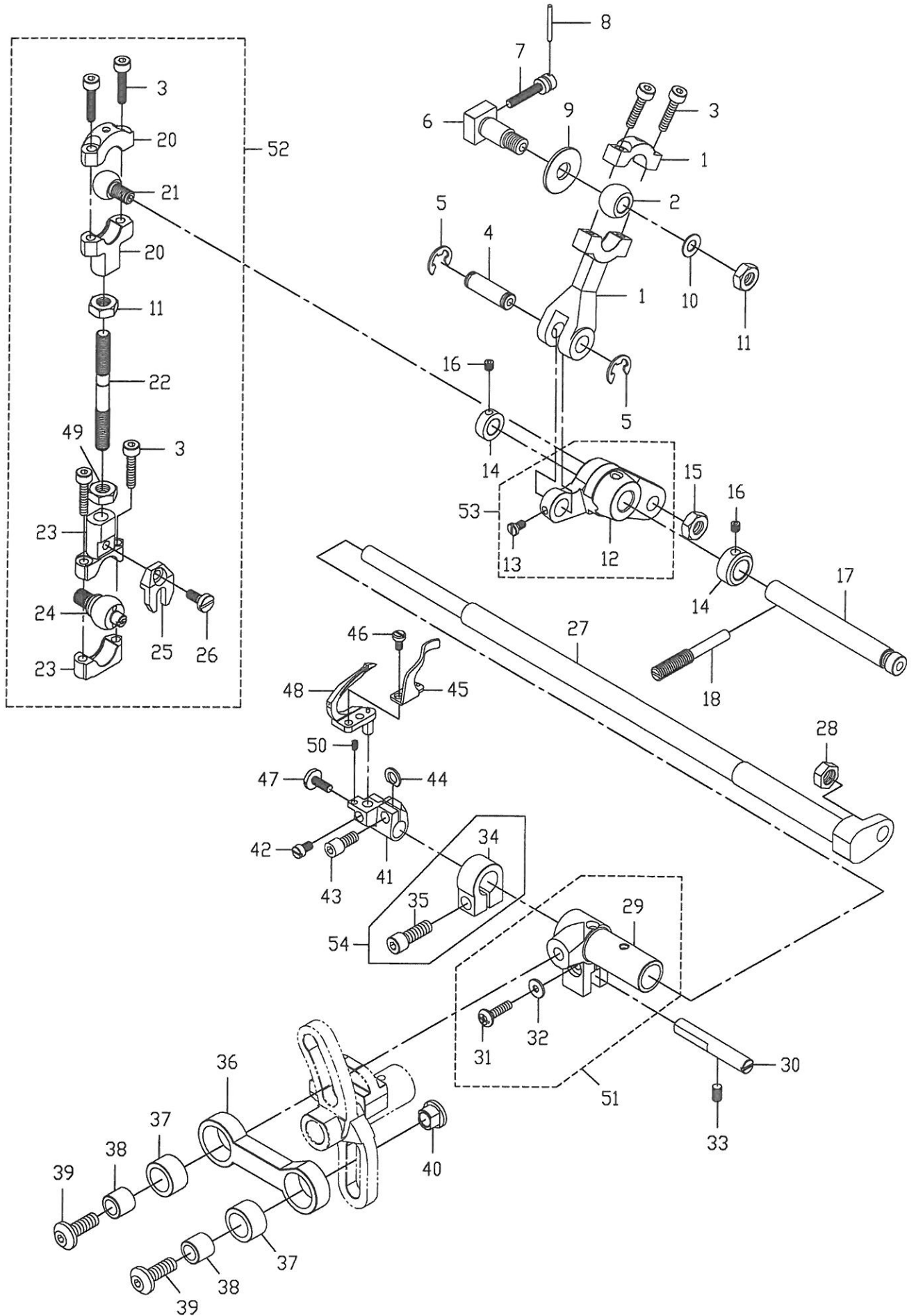


5. 上主軸與直接接合零件 Upper Main Shaft Components 240003

序號	物料編號	名稱	單位用量
Ref.No.	Parts No.	Description	Amt. Req.
1	2400030151	曲軸 Crankshaft-----	1
2	240003002	浮動連桿 Thead Carrier and Hook Driving Rod -----	1
3	90NB202410	滾針軸承 Needle Bering-----	1
4	240003003	軸承封蓋 Needle Bearing Retaining Plate-----	1
5	8SF36400705A	螺絲 Screw (NT67-05-05 9/64"-40*7)-----	2
6	240003013	墊圈 Washer-----	3
7	240003011	連軸器 Main Shaft Coupling-----	1
8	240003005	定位環 Collar-----	2
9	8SN44400400E	螺絲 Screw (S01-04 11/64"-40*4)-----	4
10	2400030061	主軸 Main Shaft -----	1
11	240003012	齒輪 Pump Driving Gear-----	1
12	8SB32440805A	螺絲 Screw (NT67-05-12 1/8"-44*8)-----	3
13	90OR125	油環 O-ring-----	1
14	240003007	揚線凸輪組 Looper Thread Take-up -----	1
15	2400030083	揚線凸輪組 Top Cover Thread Take-up -----	1
16	8SG56320500B	螺絲 Screw (NT67-05-16 7/32"-32*5)-----	4
17	240003009	限位銷 Positioning Scew-----	2
18	2400030101	連軸器 Main Shaft Coupling-----	1
19	8SN64280800C	螺絲 Screw (NT67-05-19 1/4"-28*8)-----	2
20	8SN64280700A	螺絲 Screw (NT67-05-20 1/4"-28*7)-----	4
22	8SK44401706A	螺絲 Screw (NT67-05-22 11/64"-40*17)-----	3

6. 下結線鈎傳動機構 240006

Lower Loper Driving Mechanism 240006

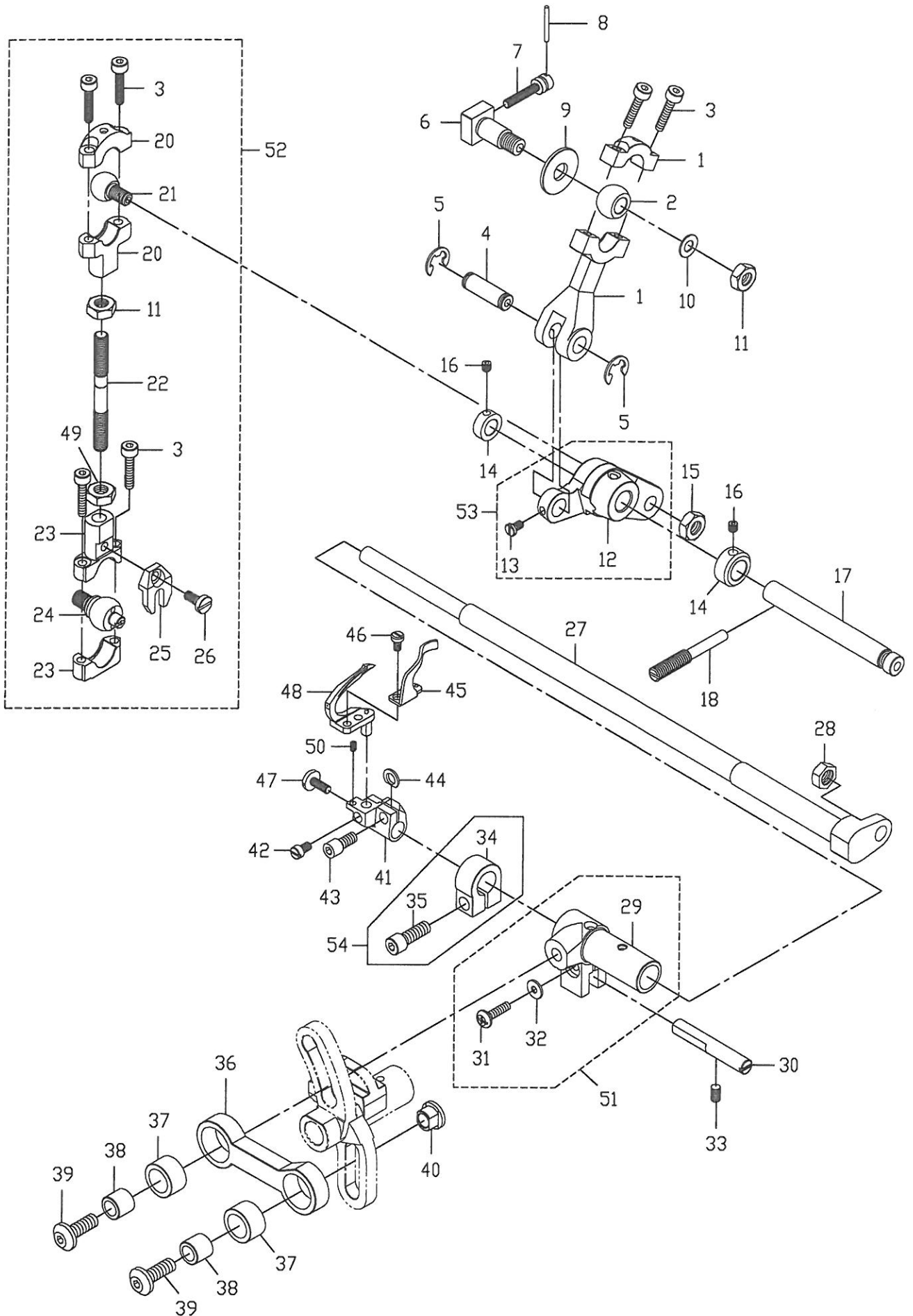


6. 下結線鈎傳動機構 Lower Looper Driving Mechanism 240006

序號	物料編號	名稱	單位用量
Ref.No.	Parts No.	Description	Amt. Req.
1	240006001	球軸連桿 Looper Lever Driving Rod-----	1
2	240006002	球形關節 Looper Lever Rod Ball-----	1
3	8MM85241407B	螺絲 Screw (NT67-06-03 M3.5-0.6*14)-----	6
4	240006004	連結銷 Looper Lever Driving Rod Pin-----	1
5	90ER060	E形扣環 E Ring-----	2
6	2400060051	變距樞銷 Looper Driving Crank Pin-----	1
7	240006003	調整螺樁 Screw-----	1
8	90SP001E	彈簧銷 Roll Pin for Main Shaft-----	1
9	240006006	墊圈 Washer-----	1
10	240006024	墊圈 Washer-----	1
11	8SA56320409L	螺帽 Nut (NT67-06-11 7/32"-32*4)-----	2
12	240006007	下結線鈎搖臂 Looper Lever -----	1
13	8SB32440505B	螺絲 Screw (NT67-06-13 1/8"-44*5)-----	1
14	2400060081	定位環 Collar-----	2
15	8SA56320309A	螺帽 Nut (NT67-06-15 7/32"-32*3)-----	1
16	8SN44400400E	螺絲 Screw (S01-04 11/64"-40*4)-----	2
17	2400060091	軸 Looper Lever Shaft-----	1
18	240006010	固定螺樁 Screw-----	1
20	240006011	球軸連桿 Looper Driving Connection-----	1
21	2400060122	球頭關節 Looper Driving Connection Ball-----	1
22	2400100251	連桿 Looper Driving Connection Rod-----	1
23	2400120121	球軸連桿 Looper Driving Connection-----	1
24	240006014	球頭關節 Looper Driving Connection Ball-----	1
25	240012013	定向導軌 Steady Fork-----	1
26	8MB85240806B	螺絲 Screw (NT67-02-06 M3.5-0.6*8)-----	1
27	2400060151	下結線鈎軸 Looper Rocker Shaft-----	1
28	8SA64400409B	螺帽 Nut (FT09-05-03 1/4"-40*4)-----	1
29	240006016	滑動套管 Looper Rocker Shaft Sleeve-----	1
30	240006017	導桿 Looper Rocker Shaft Sleeve Gide-----	1
31	8SC36401307D	螺絲 Screw (S01-17 9/64"-40*13)-----	1
32	90TW040708	齒形墊圈 Washer-----	1
33	8MN05320600A	螺絲 Screw (M07-29 M5-0.8*6)-----	1
34	240006018	束圈 Collar-----	1
35	8MM95301407A	螺絲 Screw (NT67-06-35 M4.5*0.75*14)-----	1
36	240006019	連桿 Looper Avoid Connecting Rod Bushing-----	1
37	90NB001E	滾針軸承 Needle Bearing-----	2
38	2400060202	軸承內輪 Looper Avoid Connecting Rod Bushing-----	2
39	2400060211	螺樁 Screw-----	2
40	2400060222	螺帽 Nut-----	1
41	2400060234	結線鈎座 Looper Holder-----	1
42	8SB36400505X	螺絲 Screw (NT67-06-42 9/64"-40*5)-----	1
43	8SM44400906A	螺絲 Screw (NT67-06-43 11/64"-40*9)-----	1
44	240006025	紅色電木墊圈 Packing-----	1

6. 下結線鈎傳動機構 240006

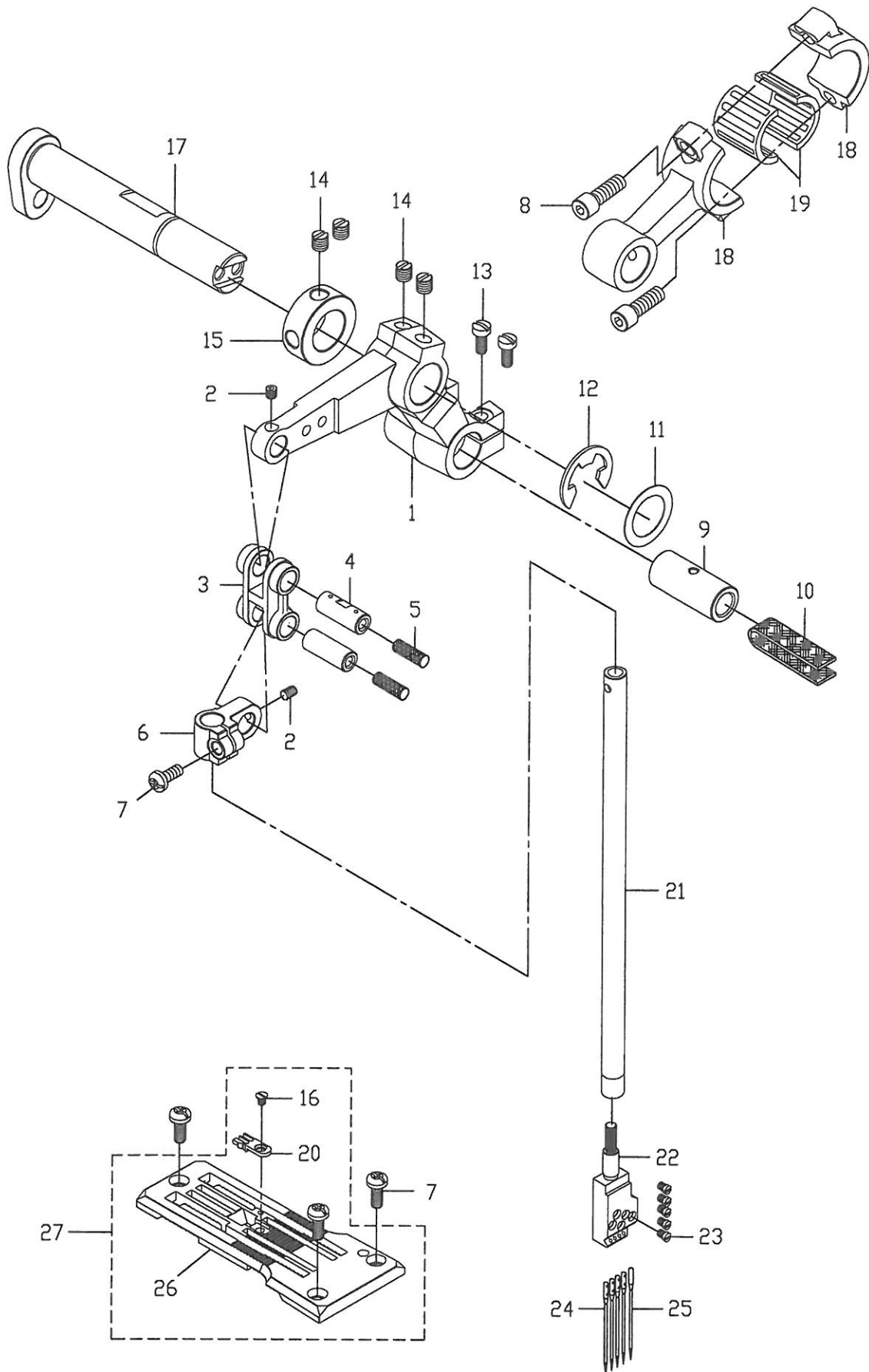
Lower Looper Driving Mechanism 240006



6. 下結線鈎傳動機構 Lower Looper Driving Mechanism 240006

序號	物料編號	名稱	單位用量
Ref.No.	Parts No.	Description	Amt. Req.
45	5240NG0023	導針器 Needle Guard-----	1
46	8SB29480305A	螺絲 Screw (NT67-06-46 20/256"*3)-----	2
47	8SB36400908A	螺絲 Screw (NT67-06-47 9/64"-40*9)-----	1
48	5240LL02	下結線鈎軸 Looper-----	1
49	8SA56320409A	螺帽 Nut (NT67-06-49 7/32"-32*4)-----	1
50	8SG24560400A	螺絲 Screw (NT67-08-16 3/32"-56*4)-----	1
51	240A006016	滑動套管組 Looper Rocker Shaft Sleeve Asm.-----	1
52	240A006011	球軸連桿 Looper Driving Connection Asm.-----	1
53	240A006007	下結線鈎搖臂組 Looper Lever Asm. -----	1
54	240A006018	束圈組 Collar Asm.-----	1

7. 針棒傳動機構 240009
 Needle Bar Driving Mechanism 240009



7. 針棒傳動機構 Needle Bar Driving Mechanism 240009

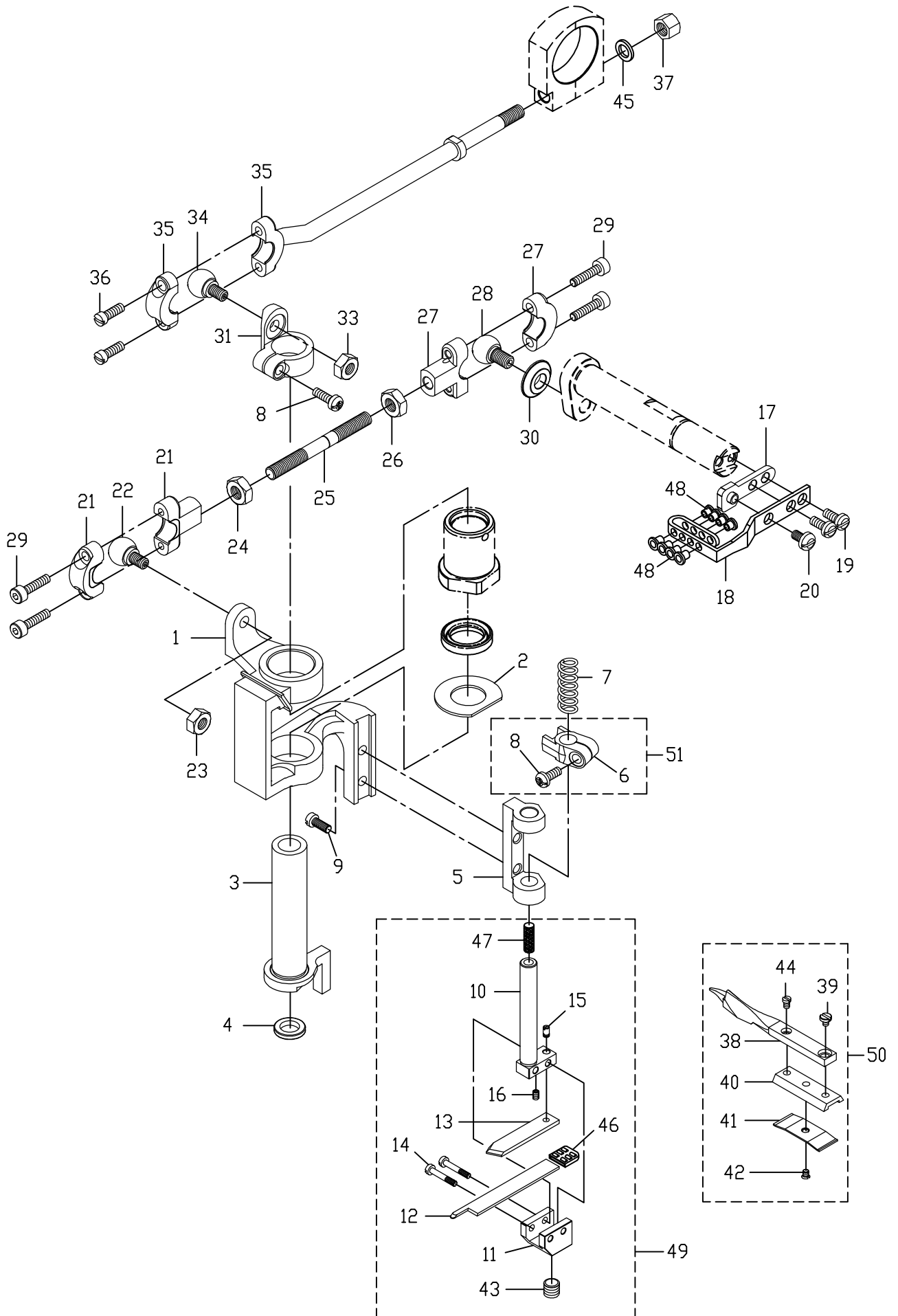
序號	物料編號	名稱	單位用量
Ref.No.	Parts No.	Description	Amt. Req.
1	240009001	針棒驅動臂 Needle Bar Lever-----	1
2	8SN32440400A	螺絲 Screw (NT67-07-02 1/8"-44*4)-----	2
3	240009002	連桿 Needle Bar Connecting Link-----	1
4	2400090031	樞銷 Needle Bar Connecting Link Pin-----	2
5	66800	棉線 Oil Wick-----	2
6	240009004	十字接頭 Needle Bar Connecting Bracket-----	1
7	8SC36400806A	螺絲 Screw (NT67-07-07 9/64"-40*8)-----	4
8	8SM48321608A	螺絲 Screw (NT67-07-08 3/16"-32*16)-----	2
9	2400090051	樞銷 Needle Bar Lever Connecting Rod-----	1
10	2400090061	羊毛氈 Oil Wick-----	1
11	240009007	墊圈 Thrust Ring-----	1
12	90ER100	E形扣環 E Ring-----	1
13	8SC36401406D	螺絲 Screw (NT67-07-13 9/64"-40*14)-----	2
14	8MN05320500E	螺絲 Screw (C09-03 M5-0.8*5)-----	4
15	240009008	定位環 Collar-----	1
16	8SF24560304B	螺絲 Screw (3/32"-56*3)-----	1
17	2400090092	擺動軸 Knife Driving Lever-----	1
18	2400090101	連桿 Needle Bar Lever Connecting Rod-----	1
19	90NB002E	滾針軸承 Needle Bearing-----	1
20	*****	針板舌 Stitch Plate Tongue-----	-
21	240009011	針棒 Needle Bar-----	1
22	*****	針留 Needle-----	-
23	8SC24560303B	螺絲 Screw (NT67-07-23 3/32"-56*3)-----	5
24	*****	針 Needle-----	-
25	*****	定位針 Retainer-----	-
26	*****	針板 Stitch Plate-----	-
27	*****	針板組 Stitch Plate Asm.-----	-

***** 詳細資料請參照附件

***** is one of the gauge parts

8. 上下刀修邊機構 240010

Upper Knife And Hook Driving Mechanism 240010

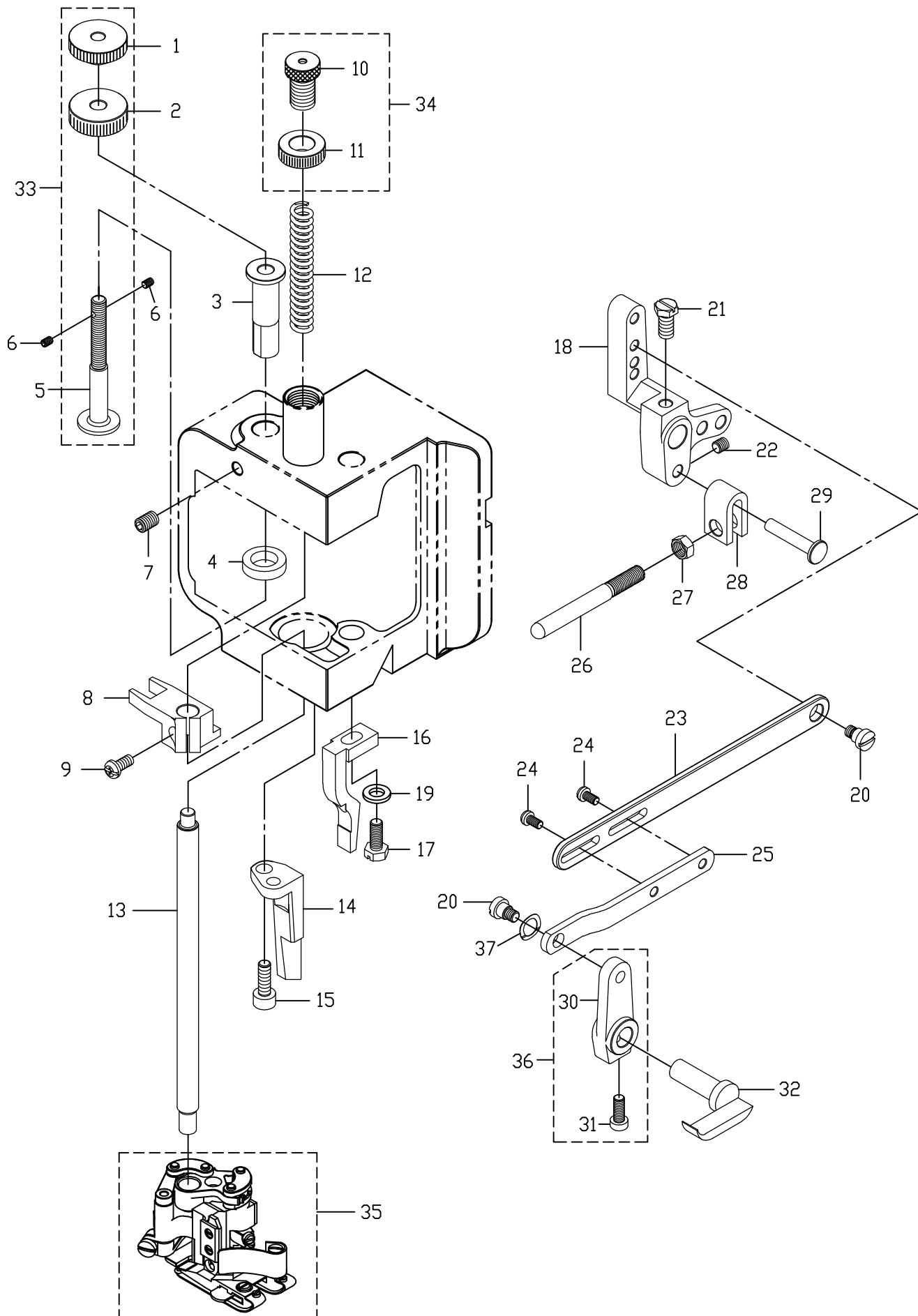


8. 上下刀修邊機構 Upper Knife And Hook Driving Mechanism 240010

序號 Ref.No.	物料編號 Parts No.	名稱 Description	單位用量 Amt. Req.
1	2400100011	支架 Knife Holder Bracket-----	1
2	240010002	墊圈 Washer-----	1
3	2400100032	驅動套管 Carrier/Hook Driving Sleeve-----	1
4	240010004	油封 Oil Seal-----	1
5	240010005	活動刀架 Knife Holder Shank Support -----	1
6	2400100061	定向叉 Knife Holder Guide Collar-----	1
7	240010007	壓縮彈簧 Knife Holder Spring-----	1
8	8SB36401006A	螺絲 Screw (NT67-08-08 9/64"-40*10)-----	2
9	8SC36400807S	螺絲 Screw (NT67-08-09 9/64"-40*8)-----	2
10	240010021	刀柄 Knife-----	1
11	2400100081	刀片夾 Knife Holder-----	1
12	2400100097	刀片 Upper Knife-----	1
13	2400100101	壓板 Knife Support-----	1
14	8SB24561304B	螺絲 Screw (NT67-08-14 3/32"-56*13)-----	2
15	8SB24560302M	螺絲 Screw (NT67-08-15 3/32"-56*3)-----	1
16	8SG24560400A	螺絲 Screw (NT67-08-16 3/32"-56*4)-----	1
17	240010045	結合片 Bracket-----	1
18	240010043	揚線臂 Needle Thread Take-up-----	1
19	8MC85240807A	螺絲 Screw (NT67-03-32 M3.5-0.6*8)-----	2
20	8MB85240607A	螺絲 Screw (NT67-01-30 M3.5-0.6*6)-----	1
21	240012035	球軸連桿 Knife Driving Connection-----	1
22	240010019	球軸關節 Rod Ball-----	1
23	8SA48320308B	螺帽 Nut (NT67-08-23 3/16"-32*3)-----	1
24	8SA56320409A	螺帽 Nut (NT67-06-49 7/32"-32*4)-----	1
25	2400100251	連桿 Knife Driving Connection Rod-----	1
26	8SA56320409L	螺帽 Nut (NT67-06-11 7/32"-32*4)-----	1
27	240010016	球軸連桿 Knife Driving Connection-----	1
28	2400060122	球軸關節 Rod Ball-----	1
29	8MM85241407B	螺絲 Screw (NT67-06-03 M3.5-0.6*14)-----	4
30	240010017	止震墊圈 Steady Washer-----	1
31	240010018	套管接頭 Carrier Hook Sleeve Lever-----	1
33	8SA48320308B	螺帽 Nut (NT67-08-23 3/16"-32*3)-----	1
34	240010019	球軸關節 Rod Ball-----	1
35	2400100201	球軸拉桿 Carrier Hook Driving Rod-----	1
36	8SM36401106A	螺絲 Screw (NT67-08-36 9/64"-40*11)-----	2
37	8SA56320608A	螺帽 Nut (NT67-08-37 7/32"-32*6)-----	1
38	5240FG001	疊縫導模 Lap Former-----	1
39	8SB24560405B	螺絲 Screw (NT67-08-39 3/32"-56*4)-----	1
40	240010022	導模座 Lap Former Slide Block-----	1
41	240010023	簧片 Lap Former Slide Block Spring-----	1
42	8SF24560402C	螺絲 Screw (NTPF01-07 3/32"-56*4)-----	1
43	8SN64400600A	螺絲 Screw (NT67-08-43 1/4"-40*6)-----	1
44	8SB24560404B	螺絲 Screw (NT67-08-44 3/32"-56*4)-----	1
45	240010037	墊圈 Washer-----	1
46	240010033	刀片護套 Upper Knife Cap-----	1
47	240010041	羊毛氈 Oil Wick -----	1
48	240013087	磁導線環 Thread Eyelet -----	8
49	*****	刀片組 Upper Knife Set-----	-
50	*****	疊縫導模組 Lap Former Set -----	-
51	240A0100061	定向叉組 Knife Holder Guide Collar Asm.-----	1

9. 壓腳提昇機構 240011

Press Foot Driving Mechanism 240011



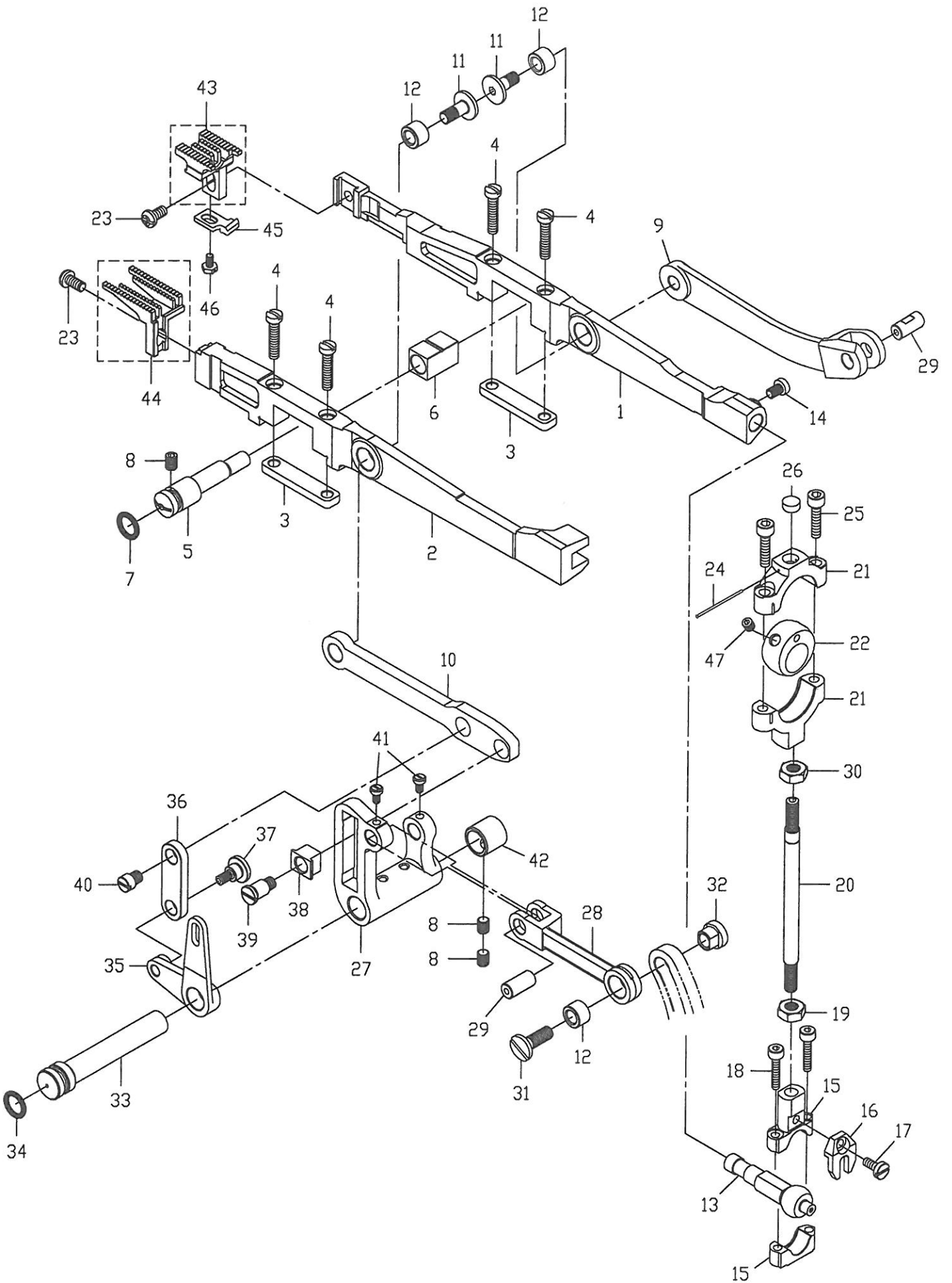
9. 壓腳提昇機構 Press Foot Driving Mechanism 240011

序號	物料編號	名稱	單位用量
Ref.No.	Parts No.	Description	Amt. Req.
1	2400110012	旋鈕 Adjusting Nut-----	1
2	240011002	固定螺帽 Lock Nut-----	1
3	240011003	壓腳定向滑柱 Presser Bar Guide-----	1
4	240011004	緩衝墊 Connecting Bracket Cushion-----	1
5	2400110051	調整螺椿 Presser Foot Adjusting Screw-----	1
6	8MN03200500C	螺絲 Screw (NT67-07-06 M3-0.5*5)-----	2
7	8MN06400800A	螺絲 Screw (C05-49 M6-1*8)-----	1
8	240011006	壓腳定向叉 Presser Bar Connecting Bracket-----	1
9	8SB44400907D	螺絲 Screw (NT67-04-09 1 1/64"-40*9)-----	1
10	2400110072	調壓螺椿 Adjusting Screw-----	1
11	2400110081	固定螺帽 Lock Nut-----	1
12	240011009	壓縮彈簧 Presser Spring-----	1
13	240011010	壓腳棒 Presser Bar-----	1
14	241011004	壓腳左導柱 Presser Foot Guide-----	1
15	8MM05321409A	螺絲 Screw (C06-32 M5-0.8*14)-----	2
16	2400110121	壓腳右導柱 Presser Foot Guide-----	1
17	8MK05321608A	螺絲 Screw (EF04-01-47 M5-0.8*16)-----	1
18	240011013	壓腳提昇連桿 Presser Bar Lifter Lever-----	1
19	2200001025	墊圈 Washer-----	1
20	8SB48320808G	螺椿 Screw (NT67-09-20 3/16"-32*8)-----	2
21	8SK56321208A	螺絲 Screw (NT67-09-21 7/32"-32*12)-----	1
22	8MN05320500E	螺絲 Screw (C09-03 M5-0.8*5)-----	1
23	240011015	拉桿 Presser Foot Lifter Lever Link-----	1
24	8SC36400608A	螺絲 Screw (K07-31 9/64"-40*6)-----	2
25	240011016	拉桿 Presser Foot Lifter Lever Link-----	1
26	240011017	止動銷 Presser Foot Lifter Stop Plunger-----	1
27	8SA64320408A	螺帽 Nut (NT67-09-27 1/4"-32*4)-----	1
28	2400110181	接頭 Stop Plunger Segment-----	1
29	240011019	銷 Stop Plunger Segment Pin-----	1
30	240011020	連桿 Presser Bar Lifter Lever-----	1
31	8SM56320809A	螺絲 Screw (NT67-09-31 7/32"-32*8)-----	1
32	240011021	壓腳提昇頂桿 Presser Bar Lifter Lever-----	1
33	240A011002	固定螺帽組 Lock Nut Asm.-----	1
34	240A0110071	調壓螺椿組 Adjusting Screw Asm.-----	1
35	*****	壓腳組 Presser Foot Asm.-----	-
36	240A011020	連桿組 Presser Bar Lifter Lever Asm.-----	1
37	90WW060	墊圈 Washer-----	1

***** 詳細資料請參照附件

***** is one of the gauge parts

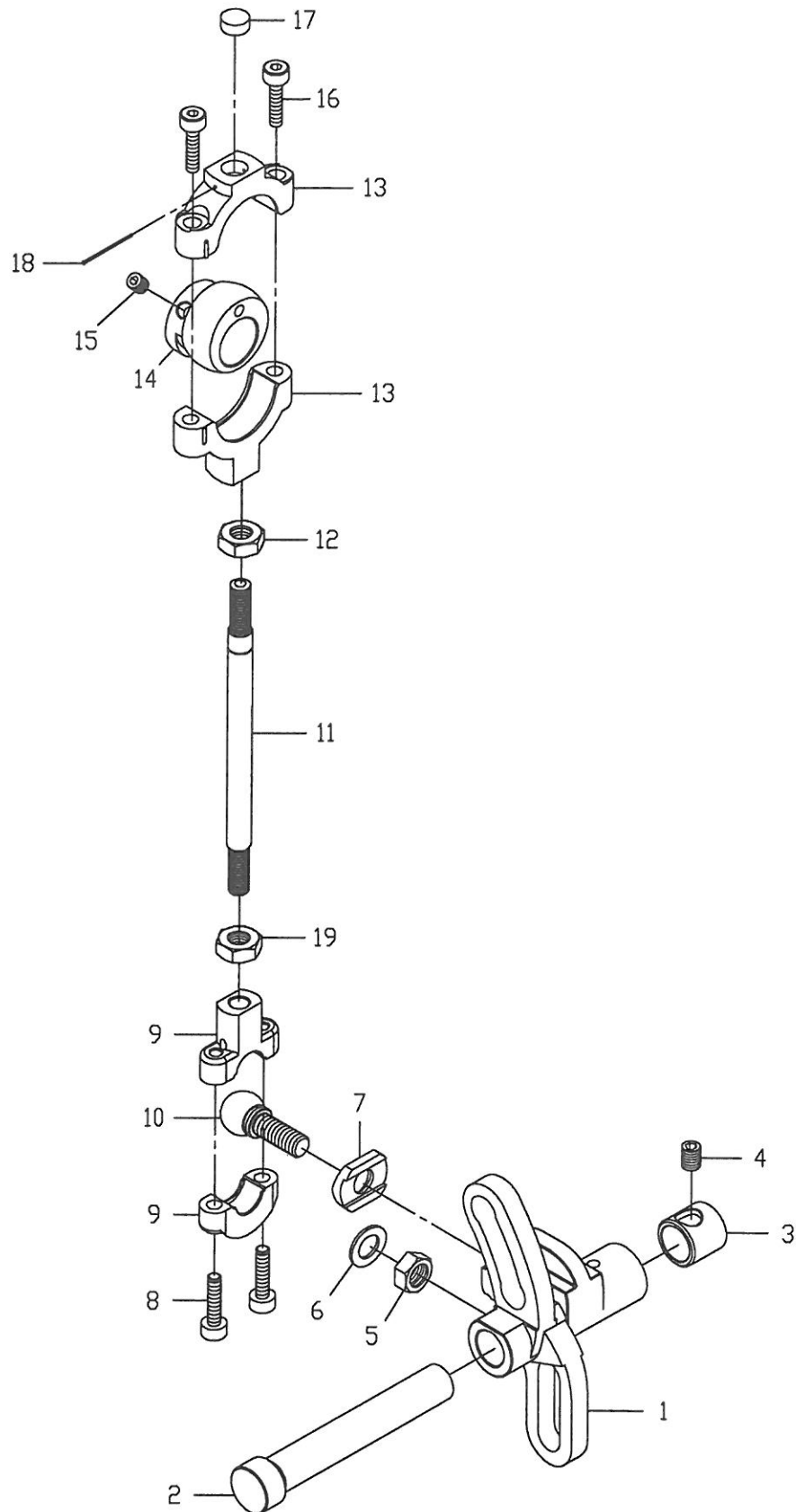
10. 送齒台差動機構(一) 240012
 Feed Driving Mechanism (1) 240012



10. 送齒台差動機構(一) Feed Driveing Mechanism (1) 240012

序號	物料編號	名稱	單位用量
Ref.No.	Parts No.	Description	Amt. Req.
1	2400120011	主動送布齒台架 Main Feed Bar-----	1
2	2400120021	差動送布齒台架 Differential Feed Bar-----	1
3	240012003	導槽封蓋 Feed Bar Plate-----	2
4	8SC44401906A	螺絲 Screw (NT67-10-04 11/64"-40*19)-----	4
5	240012004	送齒傾斜度調整銷 Feed Bar Eccentric Pin-----	1
6	2400120051	滑塊 Feed Bar Slide Block-----	1
7	90OR080	油環 O-ring-----	1
8	8MN05320600A	螺絲 Screw (M07-29 M5-0.8*6)-----	3
9	2400120072	拉桿 Main Feed Bar Driving Link-----	1
10	2400120086	拉桿 Differential Feed Bar Driving Link-----	1
11	240012009	螺樁 Screw-----	2
12	2400120103	軸承 Feed Rocker Link Bushing-----	3
13	240012011	球軸 Feed Lift Connection Ball-----	1
14	8SC44400708A	螺絲 Screw (NTPF01-27 11/64"-40*7)-----	1
15	2400120121	球軸連桿 Feed Lift Connection-----	1
16	240012013	定向導軌 Steady Fork-----	1
17	8MB85240806B	螺絲 Screw (NT67-02-06 M3.5-0.6*8)-----	1
18	8MM85241407B	螺絲 Screw (NT67-06-03 M3.5-0.6*14)-----	2
19	8SA56320409A	螺帽 Nut (NT67-06-49 7/32"-32*4)-----	1
20	240012014	連桿 Feed Lift Eccentric Connecting-----	1
21	240012015	球軸連桿 Feed Lift Connection-----	1
22	240012016	球形關節 Feed Lift Connection Ball-----	1
23	8SC44400808B	螺絲 Screw (NT67-10-23 11/64"-40*8)-----	2
24	2120001253	大頭針 Pin-----	1
25	8MM04281607A	螺絲 Screw (F02-02 M4-0.7*16)-----	2
26	240012040	羊毛氈 Oil Wick-----	1
27	240012017	擺動臂 Feed Rocker-----	1
28	240012018	拉桿 Feed Rocker Link-----	1
29	240012019	連結銷 Feed Rocker Link Pin-----	2
30	8SA56320409L	螺帽 Nut (NT67-06-11 7/32"-32*4)-----	1
31	240012020	樞銷螺樁 Screw-----	1
32	2400120211	螺帽 Nut-----	1
33	2400120221	軸 Feed Rocker Shaft-----	1
34	90ORP10	油環 O-ring-----	1
35	2400120241	差動變換臂 Differential Feed Adjusting Lever-----	1
36	240012025	連桿 Differential Feed Adjusting Link-----	1
37	240012026	樞銷螺樁 Screw-----	1
38	240012027	滑塊 Differential Feed Bar Driving Link Slider-----	1
39	240012028	樞銷螺樁 Screw-----	1
40	2400120291	驅動銷 Screw-----	1
41	8SB32440505B	螺絲 Screw (NT67-06-13 1/8"-44*5)-----	2
42	240012030	軸襯 Feed Rocker Shaft Bushing-----	1
43	*****	主動送布齒 Nain Feed Dog-----	-
44	*****	差動送布齒 Differential Feed Dog-----	-
45	*****	導針器 Needle-----	-
46	8SK32440506A	螺絲 Screw (NT67-10-46 1/8"-44*5)-----	1
47	8SN44400400E	螺絲 Screw (S01-04 11/64"-40*4)-----	1
	*****	詳細資料請參照附件 is one of the gauge parts	

11. 送齒台進給機構(二) 240012
Feed Driveing Mechanism (2) 240012

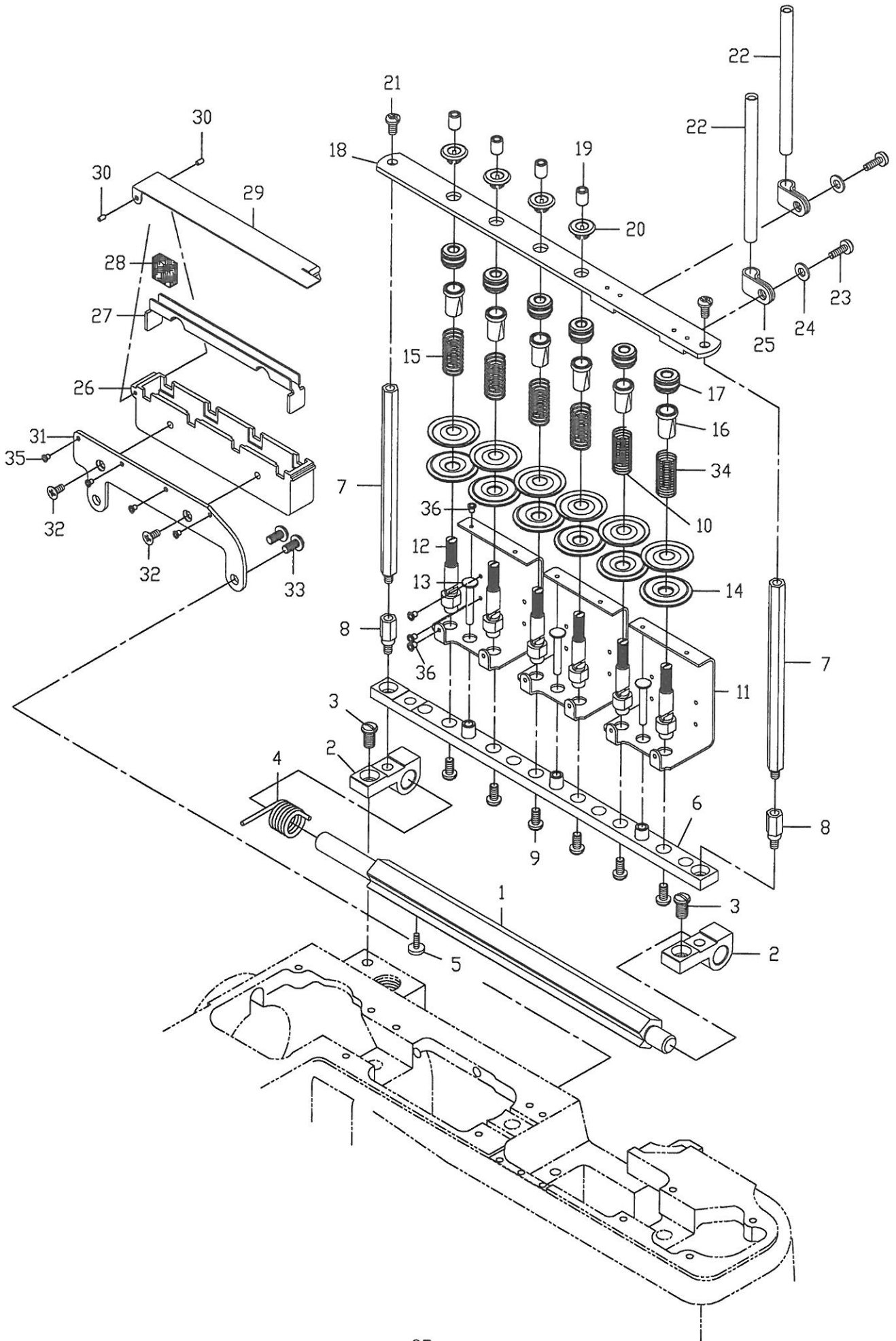


11. 送齒台進給機構(二) Feed Driveing Mechanism (2) 240012

序號	物料編號	名稱	單位用量
Ref.No.	Parts No.	Description	Amt. Req.
1	2400120315	變距搖臂 Feed Dive Looper Avoid Lever-----	1
2	240012032	軸 Feed Dive Shaft-----	1
3	240012030	軸襯 Feed Drive Shaft Bushing-----	1
4	8MN05320600A	螺絲 Screw (M07-29 M5-0.8*6)-----	1
5	8SA64400409B	螺帽 Nut (FT09-05-03 1/4"-40*4)-----	1
6	240012039	墊圈 Washer-----	1
7	240012034	止震墊圈 Steady Washer-----	1
8	8MM85241407B	螺絲 Screw (NT67-06-03 M3.5-0.6*14)-----	2
9	240012035	球軸連桿 Feed Drive Connection -----	1
10	240012036	球軸 Feed Drive Connection Ball-----	1
11	240012038	連桿 Feed Drive Eccentric Connecting-----	1
12	8SA56320409L	螺帽 Nut (NT67-06-11 7/32"-32*4)-----	1
13	240012015	球軸連桿 Feed Drive Connection-----	1
14	240012037	球軸關節 Feed Drive Connection Ball-----	1
15	8SN44400400E	螺絲 Screw (S01-04 11/64"-40*4)-----	2
16	8MM04281607A	螺絲 Screw (F02-02 M4-0.7*16)-----	2
17	240012040	羊毛氈 Oil Wick-----	1
18	2120001253	大頭針 Pin-----	1
19	8SA56320409A	螺帽 Nut (NT67-06-49 7/32"-32*4)-----	1

12. 縫線張力控制機構(一) 240013

Thread Tension Control Driving Mechanism (1) 240013

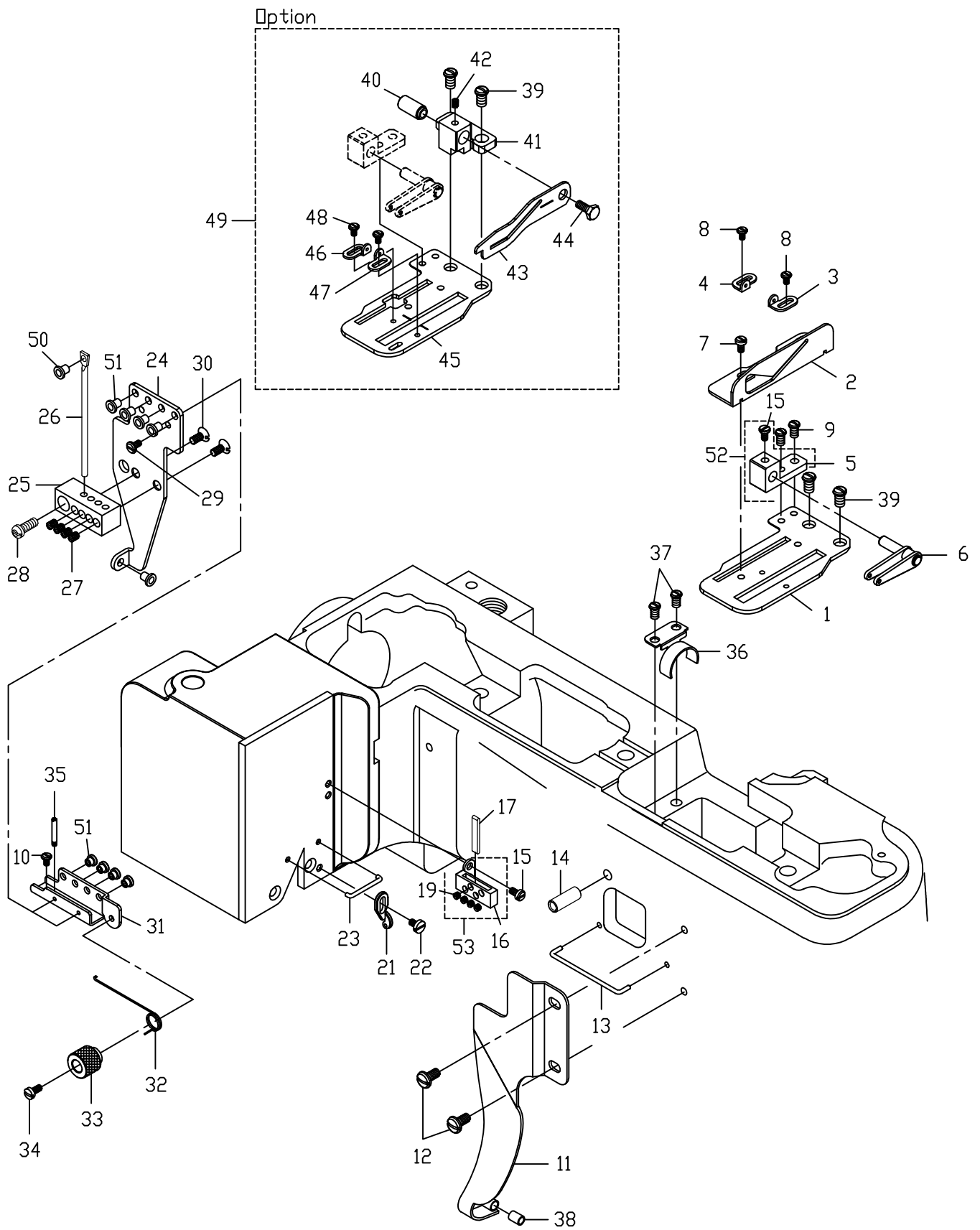


12. 縫線張力控制機構(一) Thread Tension Control Driveing Mechanism (1) 240013

序號	物料編號	名稱	單位用量
Ref.No.	Parts No.	Description	Amt. Req.
1	2400130011	驅動桿 Tension Release Shaft-----	1
2	240013090	支架 Thread Tension Support Bracket-----	2
3	8MM06401210X	螺絲 Screw (NT67-12-03 M6-1*12)-----	2
4	240013003	彈簧 Tension Release Shaft Spring-----	1
5	8SC32440608A	螺絲 Screw (NT67-12-05 1/8"-44*6)-----	1
6	240013051	承桿 Thread Tension Support -----	1
7	2400130711	立柱 Thread Guide Plate Support-----	2
8	2400130721	接頭 Screw-----	2
9	8SC44400808B	螺絲 Screw (NT67-10-23 11/64"-40*8)-----	6
10	240013047	彈簧 Top Cover Thread Tension Spring-----	1
11	240013086	導線 Thread Tension Disc Eyelet-----	3
12	240013009	螺樁 Tension Post-----	6
13	240013089	挺桿 Tension Release-Pin-----	7
14	240013007	張力控制盤 Thread Tension Disc-----	12
15	240013012	彈簧 Needle Thread Tension Spring-----	4
16	240013013	套管 Tension Spring Bushing-----	6
17	240013014	螺帽 Nut-----	6
18	2400130151	導線孔座 Thread Guide Plate-----	1
19	2400130161	導線套 Thread Eyelet-----	4
20	240013017	導線 Thread Tension Disc Eyelet-----	4
21	8SC44400807D	螺絲 Screw (S01-14 11/64"-40*8)-----	2
22	2200000327	導線管 Therad Pipe-----	2
23	8SC36400607A	螺絲 Screw (NT67-12-23 9/64"-40*6)-----	2
24	2100000223	墊圈 Washer-----	2
25	2120051010	管夾 Thread Pipe Stay-----	2
26	2400130201	矽油槽 SP Container-----	1
27	240013021	羊毛氈座 SP Felt Stay-----	1
28	240013022	羊毛氈 SP Felt-----	4
29	240013023	油槽蓋 Oil Cup Lid-----	1
30	90SP0210	彈簧銷 Hinge Pin-----	2
31	240013085	支架 SP Container Support-----	1
32	8TE85520608A	螺絲 Screw (NT67-12-32)-----	2
33	8MC95300808E	螺絲 Screw (C08-06 M4.5-0.75*8)-----	2
34	240013046	彈簧 Looper Thread Tension Spring-----	1
35	240013088	磁導線環 Thread Eyelet-----	4
36	240013087	磁導線環 Thread Eyelet-----	32

13. 縫線張力控制機構(二) 240013

Thread Tension Contro Driving Mechanism (2) 240013

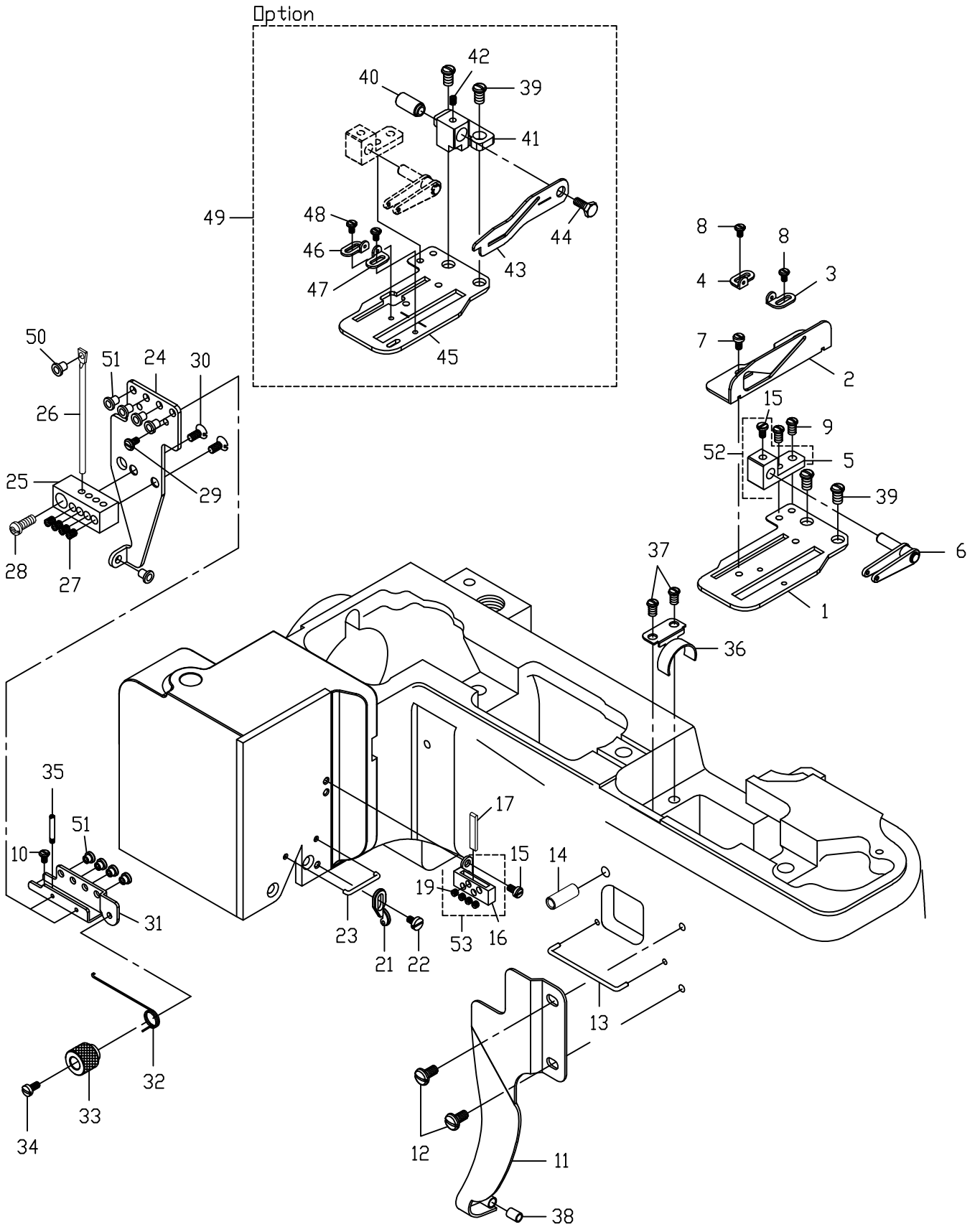


13. 縫線張力控制機構(二) Thread Tension Control Driveing Mechanism (2) 240013

序號	物料編號	名稱	單位用量
Ref.No.	Parts No.	Description	Amt. Req.
1	2400130252	導線座板 Eyelet Supporting Plate-----	1
2	240013026	導線板 Looper Thread Take-up Guide-----	1
3	240013028	右導線 Looper Thread Take-up Eyelet(Front)-----	1
4	240013027	左導線 Looper Thread Take-up Eyelet(Rear)-----	1
5	2400130291	面線導線架 Thread Take-up Eyelet Holder-----	1
6	240013030	面線導線 Thread Take-up Eyelet -----	1
7	8SB32440305B	螺絲 Screw (NT67-13-07 1/8"-44*3)-----	2
8	8SB24560305B	螺絲 Screw (NT67-13-08 3/32"-56*3)-----	2
9	8SB32440405B	螺絲 Screw (NT67-13-09 1/8"-44*4)-----	2
10	8SC32440608A	螺絲 Screw (NT67-12-05 1/8"-44*8)-----	1
11	240013077	護線罩 Looper Thread Guard-----	1
12	8MC95300808E	螺絲 Screw (C08-06 M4.5-0.75*8)-----	2
13	240013032	導線 Looper Thread Guide Wire-----	1
14	240013033	導線管 Top Cover Thread Pipe-----	1
15	8SB32440505B	螺絲 Screw (NT67-06-13 1/8"-44*5)-----	3
16	2400130791	針線頂桿座 Needle Thread Strike-off Pin Holder-----	1
17	240013084	針線頂桿 Needle Thread Strike-off Pin -----	4
19	8SG32440300A	螺絲 Screw (NT67-CG001-15 1/8"-44*3)-----	4
21	240013037	導線 Hend Cove Thread Eyelet-----	1
22	8SB32440506A	螺絲 Screw (NT67-13-22 1/8"-44*5)-----	1
23	240013038	導線 Needle Thread Guide Wire-----	1
24	240013082	導線板座 Needle Thread Eyelet Holder-----	1
25	240013080	導線桿座 Needle Thread Eyelet Holder-----	1
26	240013081	導線桿 Needle Therad Eyelet-----	4
27	8SG32440400A	螺絲 Screw (NT67-13-27 1/8"-44*4)-----	4
28	8MB95301507K	螺絲 Screw (M07-26 M4.5-0.75*11)-----	1
29	8SB24560405B	螺絲 Screw (NT67-08-39 3/32"-56*4)-----	2
30	8SE32440506B	螺絲 Screw (NT67-13-30 1/8"-44*5)-----	2
31	240013083	針線止逆壓簧座 Stitch Unlocker Mounting Bracket-----	1
32	2400130432	針線止逆壓簧 Stitch Unlocker Spring-----	1
33	2400130441	調壓旋鈕 Stitch Unlocker Spring Holder-----	1
34	8SC32440606A	螺絲 Screw (NT67-13-34 1/8"-44*6)-----	1
35	240013045	限位銷 Pin-----	1
36	240013048	纏線護罩 Guard Cover-----	1
37	8MB04280407A	螺絲 Screw (NT67-13-37 M4-0.7*4)-----	2
38	240013078	磁導線 Thread Eyelet-----	1
39	8MC06401008E	螺絲 Screw (C08-32 M6-1*10)-----	2
40	240013075	軸 Shaft-----	1
41	240013074	導線板座 Thread Take-up Eyelet Holder-----	1
42	8MH04280400A	螺絲 Screw (C11-34 M4-0.7*4)-----	1
43	240013076	導板 Looper Thread Take-up Guide-----	1
44	8MB04280607K	螺絲 Screw (M02-33 M4-0.7*6)-----	1

13. 縫線張力控制機構(二) 240013

Thread Tension Contro Driving Mechanism (2) 240013

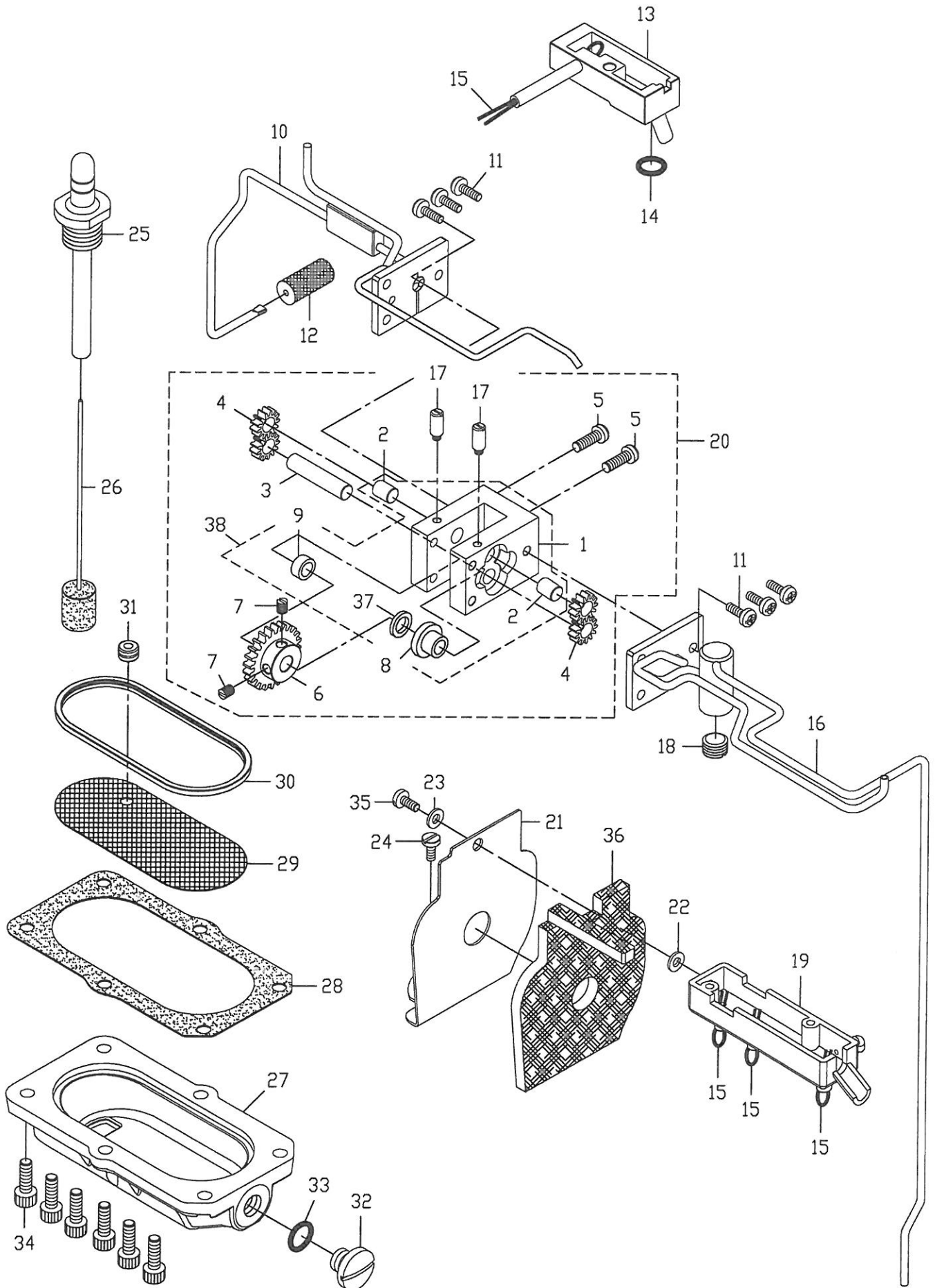


13. 縫線張力控制機構(二) Thread Tension Control Driveing Mechanism (2) 240013

序號 Ref.No.	物料編號 Parts No.	名稱 Description	單位用量 Amt. Req.
45	240013073	導線座板 Eyelet Supporting Plate-----	1
46	240013028	右導線 Looper Thread Take-up Eyelet(Front)-----	1
47	240013027	左導線 Looper Thread Take-up Eyelet(Rear)-----	1
48	8SB24560305B	螺絲 Screw (NT67-13-08 3/32"-56*3)-----	2
49	240A013073	下線線量調整組 Line volume adjustment group-----	1
50	240013088	磁導線環 Thread Eyelet-----	4
51	240013087	磁導線環 Thread Eyelet-----	9
52	240A0130291	面線導線架組 Thread Take-up Eyelet Holder Asm.-----	1
53	240A0130791	針線頂桿座組 Needle Thread Strike-off Pin Holder Asm.-----	1

14. 潤滑冷卻機構 240015

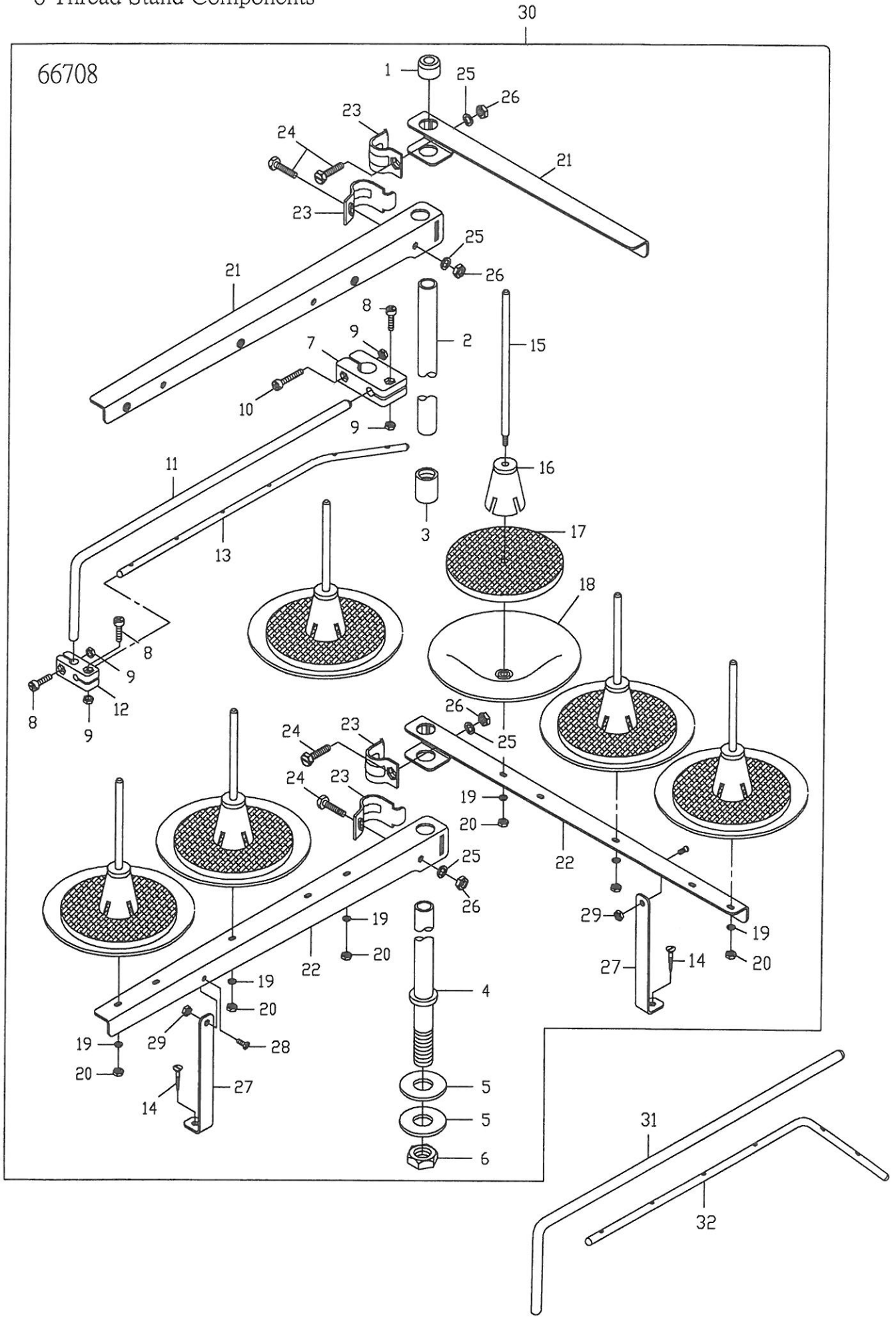
Lubrication Driveing Mechanism 240015



14. 潤滑冷卻機構 Lubrication Driveing Mechanism 240015

序號 Ref.No.	物料編號 Parts No.	名稱 Description	單位用量 Amt. Req.
1	2400150011	泵座 Pump Housing-----	1
2	240015002	軸 Pump Gear Shaft-----	2
3	240015003	軸 Pump Gear Shaft-----	1
4	240015004	齒輪 Oil Pump Gear-----	4
5	8SB44401208A	螺絲 Screw (K03-41 11/64"-44*12)-----	2
6	240015005	齒輪 Pump Driven Gear-----	1
7	8SG44400500A	螺絲 Screw (K07-56 11/64"-44*5)-----	2
8	240002031	軸襯 Bushing-----	1
9	2400020321	軸襯 Bushing-----	1
10	2400150074	左封蓋 Pump Housing Cover Unit-----	1
11	8SC36401007D	螺絲 Screw (S01-25 9/64"-40*10)-----	6
12	2400150081	濾清網 In-take Filter-----	1
13	240015009	分油槽 Oil Reciver-----	1
14	90OR080	油環 O-ring-----	1
15	66800	棉線 Oil Wick-----	4
16	240015010	右封蓋 Pump Housing Cover Unit-----	1
17	2400150251	螺絲 Screw-----	2
18	8MG10600600A	螺絲 Screw (NT67-14-18 M10-1.5*6)-----	1
19	240015011	分油槽 Oil Reciver-----	1
20	240A015026	泵組 Pump Asm.-----	1
21	2400150121	防塵蓋 Theard Take-up Oil Defense Unit-----	1
22	240015022	墊圈 Washer-----	1
23	2100000223	墊圈 Washer-----	1
24	8MB85240807K	螺絲 Screw (F05-55 M3.5-0.7*8)-----	1
25	240015013	油面計 Crank Chamber Oil Gauge Unit-----	1
26	240015014	浮標 Oil Height Indicator-----	1
27	240015015	承油盤 Oil Reservoir-----	1
28	240015016	油封 Oil Reservoir Rubber Seal-----	1
29	240015017	濾網 Oil Filter Screen-----	1
30	240015018	濾網框邊 Oil Filter Screen Rubber Seal-----	1
31	240015019	油管襯套 Rubber Bushing-----	1
32	2400010113	孔塞 Drain Hole Screw-----	1
33	90ORP10	油環 O-ring-----	1
34	8MM05321409A	螺絲 Screw (C06-32 M5-0.8*14)-----	6
35	8TC85520806A	螺絲 Screw (CT90-03-20)-----	1
36	240015021	羊毛氈 SP Felt-----	1
37	240002028	油封 Oil Seal-----	1
38	240A0150011	泵座組 Pump Housing Asm.-----	1

15. 6線線架組
6 Thread Stand Components

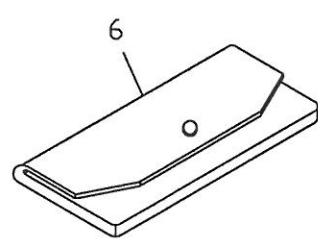
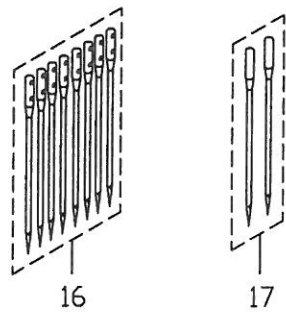
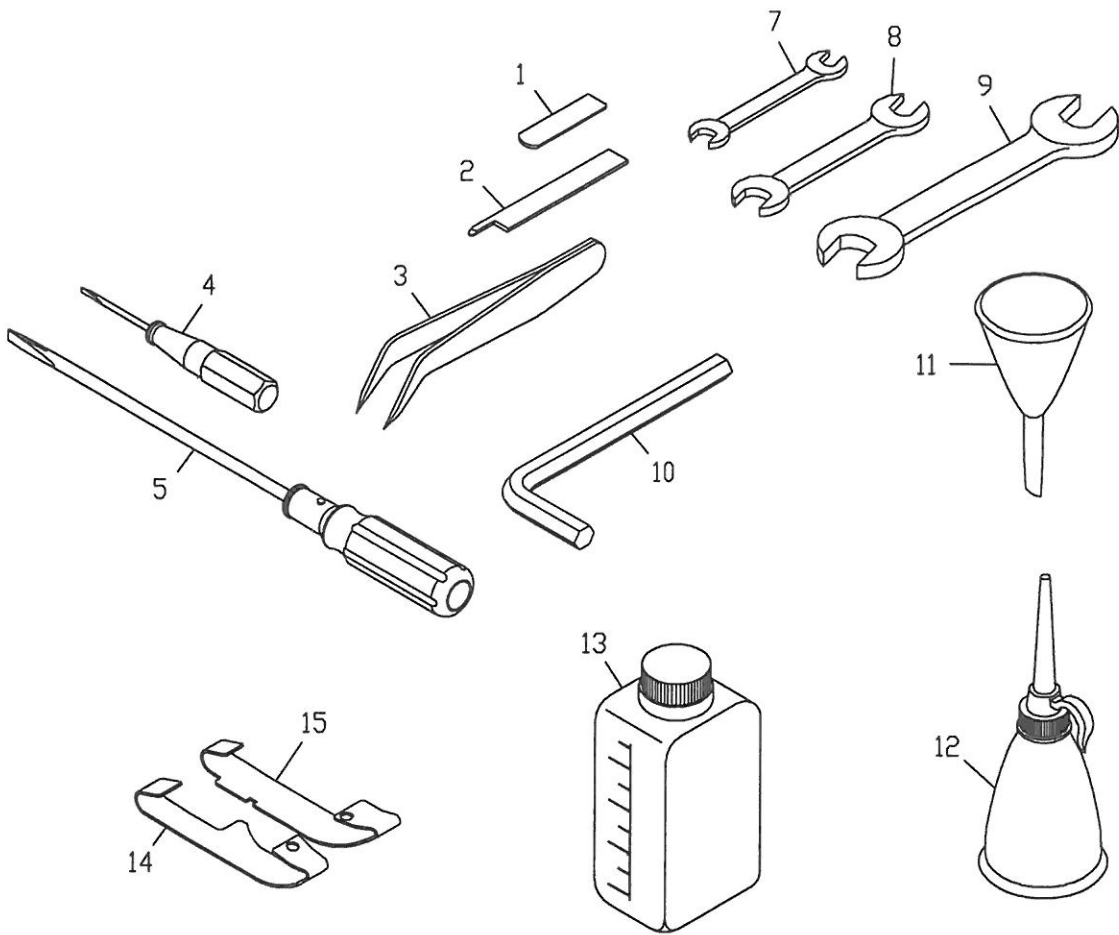


15. 6線線架組

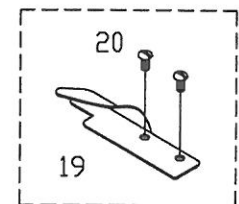
6 Thread Stand Components

序號 Ref.No.	物料編號 Parts No.	名稱 Description	單位用量 Amt. Req.
1	667051	柱帽 Rod Cup -----	1
2	667052	上柱 Upper Thread Stand Rod-----	1
3	667053	接頭 Joint-----	1
4	667054	下柱 Lower Thread Stand Rod-----	1
5	667055	墊圈 Washer-----	2
6	667056	螺帽 Nut-----	1
7	667057	接頭 Bracket-----	1
8	667058	螺絲 Screw-----	3
9	667059	螺帽 Nut-----	4
10	6670510	螺絲 Screw-----	1
11	6670511	旋臂 Arm-----	1
12	6670512	接頭 Bracket-----	1
13	6670513	導線桿 Thread Guide-----	1
14	6670530	木螺絲 Wood Screw-----	2
15	6670515	線盤軸 Spool Pin-----	6
16	6670516	定心錐 Spool Retaining Fig-----	6
17	6670517	緩衝墊 Seat-----	6
18	6670518	線盤 Spool Tray-----	6
19	6670519	彈簧墊圈 Washer-----	6
20	6670520	螺帽 Nut-----	6
21	6670521	導線臂 Thread Guide-----	1
22	6670522	線盤座 Thread Guide-----	2
23	6670523	夾板 Clamp-----	4
24	6670524	螺絲 Screw-----	4
25	6670525	彈簧墊圈 Washer-----	4
26	6670526	螺帽 Nut-----	4
27	6670527	撐桿 Support Rod-----	2
28	6670528	螺絲 Screw-----	2
29	6670529	螺帽 Nut-----	2
30	66708	線架組 Thread Stand Components-----	1
31	66705111	旋臂 Arm-----	1
32	66705131	導線桿 Thread Guide-----	1

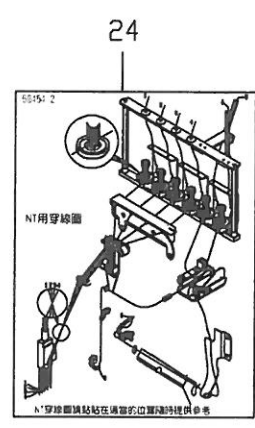
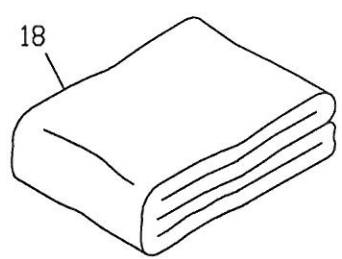
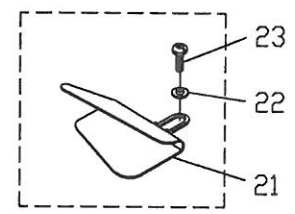
16. 備品工具及附件
Accessories



雙切用



單切用



16. 備品工具及附件 Accessories

序號 Ref.No.	物料編號 Parts No.	名稱 Description	單位用量 Amt. Req.
1	*****	固定刀片 Lower Knife-----	-
2	*****	刀片 Upper Knife-----	-
3	66690	夾子 Tweezers-----	1
4	66667	小平口起子 Screwdriver-----	1
5	66671	木柄一字起子 Screwdriver-----	1
6	66831	工具袋 Accessories bag-----	1
7	66630-5*5.5	開口扳手5*5.5MM Wrench-----	1
8	66630-6*7	開口扳手6*7MM Wrench-----	1
9	66627-11*13	開口扳手11*13MM Wrench-----	1
10	66637-8	六角扳手8MM All Key 8MM-----	1
11	66723	油漏斗 Oil Funnel-----	1
12	66721	油壺 Oiler-----	1
13	66717	油灌 Oil Container-----	1
14	*****	簧片補助壓腳底 Presser Foot Spring Plate-----	-
15	*****	簧片補助壓腳底 Presser Foot Spring Plate-----	-
16	*****	針 Needle-----	-
17	*****	定位針 Retainer-----	-
18	66847	防塵罩 Cover-----	1
19	668601	導模 Lap Former-----	1
20	8SC24560305B	螺絲 Screw (NT67-16-27 3/32"-56*3)-----	2
21	668591	導模 Lap Former-----	1
22	2100000223	墊圈 Washer-----	1
23	8MB85241107A	螺絲 Screw (NT67-01-35 M3.5-0.6*11)-----	1
24	66454-2	穿線圖貼紙 Threading Diagram-----	1
25	6NT6301-1	零件冊 Instruction Manual-----	1
26	6NT6202-1	使用說明書 Parts List-----	1

***** 詳細資料請參照附件

***** is one of the gauge parts

NTD67系列車型零件一覽表(1) Series Gauge Parts List(1)

								
機型	針板組	壓腳組	導布舌	彈性襯墊	固定刀片	送布齒組	上飾縫結鉤	下結線鉤
Models	Stitch plate Set	Presser Foot Set	Guide Plate	Spring Plate	Lower Knife	Dog Set	Carrier	Hook
NTD6701-M5	5240TP003	5240PF02	/	5240PF0215(左)	5240PF01097	5240DG02	5240SL0011	5240SL0021
				5240PF0229(右)				
NTD6701-M6	5240TP004	5240PF04	/	5240PF0215(左)	5240PF01097	5240DG02	5240SL0041	5240SL0021
				5240PF0230(右)				
NTD6701-M356	5240TP018	5240PF04	/	5240PF0231(左)	5240PF01097	5240DG02	5240SL0041	5240SL0021
				5240PF0230(右)				
NTD6703-M5	5240TP003	5240PF05	/	5240PF0515(左)	5240PF01097	5240DG02	/	/
				5240PF0514(右)				
NTD6703-M6	5240TP004	5240PF13	/	5240PF0515(左)	5240PF01097	5240DG02	/	/
				5240PF0514(右)				
NTD6703A-H5	5240TP003	5240PF06	5240PF0602	5240PF0615(左)	5240PF07097	5240DG02	/	/
				5240PF0614(右)				
NTD6703B-H5	5240TP003	5240PF12	5240PF1202	5240PF1215(左)	5240PF07097	5240DG02	/	/
				5240PF0714(右)				
NTD6703B-H6	5240TP004	5240PF23	5240PF1202	5240PF1215(左)	5240PF07097	5240DG02	/	/
				5240PF0714(右)				
NTD6703C-M5	5240TP001	5240PF31	5240PF01021	5240PF0135(左)	5240PF01097	5240DG01	5240SL0011	5240SL0021
				5240PF0114(右)				
NTD6703C-M6	5240TP002	5240PF47	5240PF01021	5240PF0135(左)	5240PF01097	5240DG01	5240SL0011	5240SL0021
				5240PF0114(右)				
NTD6703D-M5	5240TP001	5240PF30	5240PF01021	5240PF3015(左)	5240PF01097	5240DG01	5240SL0011	5240SL0021
				5240PF0114(右)				
NTD6703D-M6	5240TP002	5240PF45	5240PF01021	5240PF3015(左)	5240PF01097	5240DG01	5240SL0011	5240SL0021
				5240PF0114(右)				

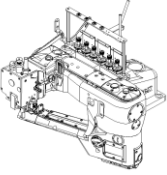
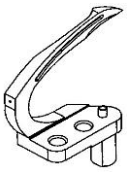
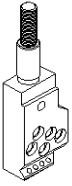

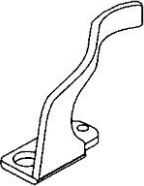




NTD67系列車型零件一覽表(2) Series Gauge Parts List(2)

								
機型	針板組	壓腳組	導布舌	彈性襯墊	固定刀片	送布齒組	上飾縫結鉤	下結線鉤
Models	Stitch plate Set	Presser Foot Set	Guide Plate	Spring Plate	Lower Knife	Dog Set	Carrier	Hook
NTD6704-H5	5242TP0001	5242PF05	5242PF0402	5242PF0415(左)	5240PF07097	5242DG0001	5242SL0003	5242SL0001
				5242PF0414(右)				
NTD6704-H6	5242TP0002	5242PF06	5242PF0402	5242PF0415(左)	5240PF07097	5242DG0001	5242SL0002	5242SL0001
				5242PF0414(右)				
NTD6712-M5	5240TP001	5240PF01	5240PF01021	5240PF0135(左)	5240PF01097	5240DG01	5240SL0011	5240SL0021
				5240PF0114(右)				
NTD6712-M6	5240TP002	5240PF03	5240PF01021	5240PF0135(左)	5240PF01097	5240DG01	5240SL0041	5240SL0021
				5240PF0114(右)				
NTD6712-H5	5240TP001	5240PF07	5240PF0702	5240PF0715(左)	5240PF07097	5240DG01	5240SL0011	5240SL0021
				5240PF0714(右)				
NTD6712-H6	5240TP002	5240PF09	5240PF0702	5240PF0715(左)	5240PF07097	5240DG01	5240SL0041	5240SL0021
				5240PF0714(右)				
NTD6712A-H5	5240TP001	5240PF10	5240PF1002	5240PF10151(左)	5240PF07097	5240DG01	5240SL0011	5240SL0021
				5240PF10141(右)				
NTD6712A-H6	5240TP002	5240PF18	5240PF1002	5240PF10151(左)	5240PF07097	5240DG01	5240SL0041	5240SL0021
				5240PF10141(右)				
NTD6712E-H6	5240TP002	5240PF26	5240PF1002	5240PF0115(左)	5240PF07097	5240DG01	5240SL0041	5240SL0021
				5240PF0114(右)				
NTD6712F-M5	5240TP001	5240PF27	5240PF01021	5240PF2735(左)	5240PF01097	5240DG10	5240SL0011	5240SL0021
				5240PF2734(右)				
NTD6712-S5	5240TP001	5242PF02	5240PF01021	5240PF0135(左)	5240PF07097	5240DG01	5240SL0011	5240SL0021
				5240PF0114(右)				
NTD6712-S6	5240TP002	5242PF03	5240PF01021	5240PF0135(左)	5240PF07097	5240DG01	5240SL0041	5240SL0021
				5240PF0114(右)				
NTD6730-M6	5240TP002	5242PF01	/	/	/	5240DG01	5240SL0041	5240SL0021

NTD67系列車型零件一覽表(3) Series Gauge Parts List(3)

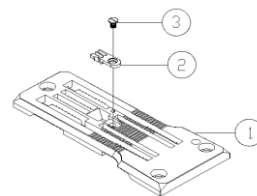
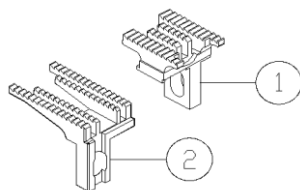
								
機型	下結線鈎	針留	導針器	導針器	疊縫導模	活動刀片	縫針	定位針
Models	Looper	Needle Clamp	Needle Guard	Needle Guard	Forwer	Upper Knife	Needle	Retainer
NTD6701-M5	5240LL02	5240NC0013	5240NG0012	5240NG0023		2400100097	66728-10	66728-R8
NTD6701-M6	5240LL02	5240NC0023	5240NG0012	5240NG0023		2400100097	66728-10	66728-R8
NTD6701-M356	5240LL02	5240NC008	5240NG0012	5240NG0023		2400100097	66728-10	66728-R8
NTD6703-M5	5240LL02	5240NC0013	5240NG0012	5240NG0023		2400100097	66728-10	66728-R8
NTD6703-M6	5240LL02	5240NC0023	5240NG0012	5240NG0023		2400100097	66728-10	66728-R8
NTD6703-AH5	5240LL02	5240NC0013	5240NG0012	5240NG0023	5240FG001	2400100277	66728-11	66728-R8
NTD6703-BH5	5240LL02	5240NC0013	5240NG0012	5240NG0023	5240FG0041	2400100277	66728-11	66728-R8
NTD6703-BH6	5240LL02	5240NC0023	5240NG0012	5240NG0023	5240FG0041	2400100277	66728-11	66728-R8
NTD6703C-M5	5240LL02	5240NC0013	5240NG0012	5240NG0023		2400100097	66728-10	66728-R8
NTD6703C-M6	5240LL02	5240NC0023	5240NG0012	5240NG0023		2400100097	66728-10	66728-R8
NTD6703D-M5	5240LL02	5240NC0013	5240NG0012	5240NG0023		2400100097	66728-10	66728-R8
NTD6703D-M6	5240LL02	5240NC0023	5240NG0012	5240NG0023		2400100097	66728-10	66728-R8
NTD6704-H5	5240LL02	5240NC0013	5240NG0012	5240NG0023	5242FG0001	2400100277	66728-10	66728-R8
NTD6704-H6	5240LL02	5240NC0023	5240NG0012	5240NG0023	5242FG0001	2400100277	66728-10	66728-R8
NTD6712-M5	5240LL02	5240NC0013	5240NG0012	5240NG0023	5240FG001	2400100097	66728-10	66728-R8
NTD6712-M6	5240LL02	5240NC0023	5240NG0012	5240NG0023	5240FG001	2400100097	66728-10	66728-R8

NTD67系列車型零件一覽表(4) Series Gauge Parts List(4)

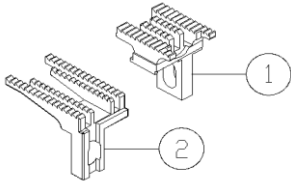
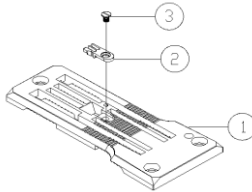
								
機型	下結線鉤	針留	導針器	導針器	疊縫導模	活動刀片	縫針	定位針
Models	Looper	Needle Clamp	Needle Guard	Needle Guard	Forwer	Upper Knife	Needle	Retainer
NTD6712-H5	5240LL02	5240NC0013	5240NG0012	5240NG0023	5240FG002	2400100277	66728-11	66728-R8
NTD6712-H6	5240LL02	5240NC0023	5240NG0012	5240NG0023	5240FG002	2400100277	66728-11	66728-R8
NTD6712A-H5	5240LL02	5240NC0013	5240NG0012	5240NG0023	5240FG0041	2400100277	66728-11	66728-R8
NTD6712A-H6	5240LL02	5240NC0023	5240NG0012	5240NG0023	5240FG0041	2400100277	66728-11	66728-R8
NTD6712E-H6	5240LL02	5240NC0023	5240NG0012	5240NG0023	5240FG0041	2400100277	66728-11	66728-R8
NTD6712F-M5	5240LL02	5240NC0013	5240NG0012	5240NG0023	5240FG0041	2400100097	66728-10	66728-R8
NTD6712-S5	5240LL02	5240NC0013	5240NG0012	5240NG0023	5240FG001	2400100277	66728-10	66728-R8
NTD6712-S6	5240LL02	5240NC0023	5240NG0012	5240NG0023	5240FG001	2400100277	66728-10	66728-R8
NTD6730-M6	5240LL02	5240NC0023	5240NG0012	5240NG0023			66728-10	66728-R8

NTD67系列組件(零件)一覽表

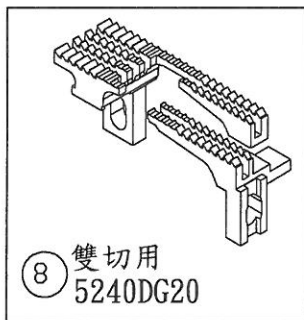
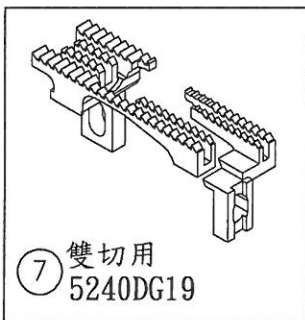
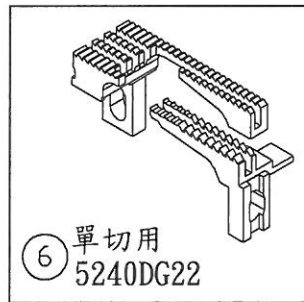
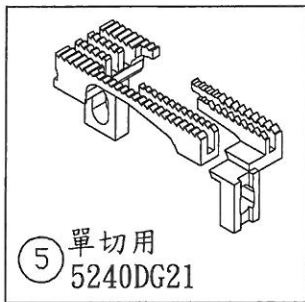
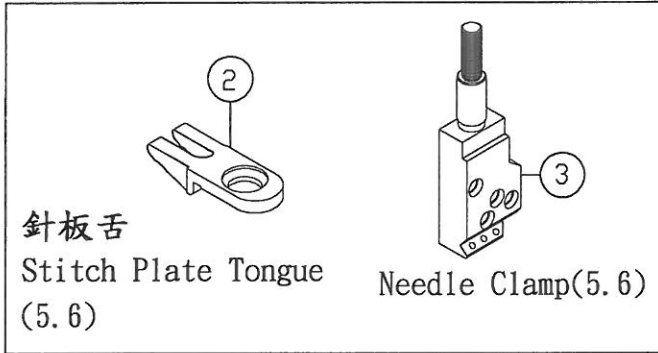
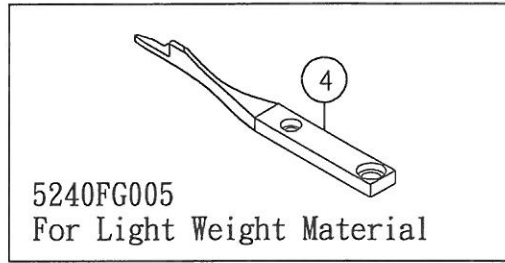
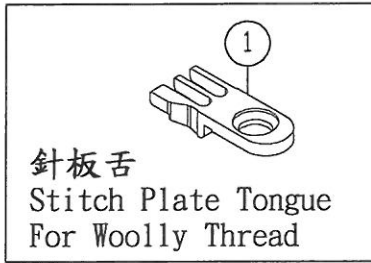
機型	送布齒組件編號	1 主送布齒	2 差動送布齒	機型	針板組件編號	1 針板	2 針板舌	3 螺絲
Models	Dog Set	Feed Dog	Differential Feed Dog	Models	Stitch Plate Set	Stitch plate	Stitch Plate Tongue	Screw
NTD6701-M5	5240DG02	5240FD002	5240DF001	NTD6701-M5	5240TP003	5240TP003A	5240TP001B	8SF24560304B
NTD6701-M6	5240DG02	5240FD002	5240DF001	NTD6701-M6	5240TP004	5240TP004A	5240TP002B	8SF24560304B
NTD6701-M356	5240DG02	5240FD002	5240DF001	NTD6701-M356	5240TP018	5240TP018A	5240TP002D	8SF24560304B
NTD6703-M5	5240DG02	5240FD002	5240DF001	NTD6703-M5	5240TP003	5240TP003A	5240TP001B	8SF24560304B
NTD6703-M6	5240DG02	5240FD002	5240DF001	NTD6703-M6	5240TP004	5240TP004A	5240TP002B	8SF24560304B
NTD6703A-H5	5240DG02	5240FD002	5240DF001	NTD6703-AH5	5240TP003	5240TP003A	5240TP001B	8SF24560304B
NTD6703B-H5	5240DG02	5240FD002	5240DF001	NTD6703-BH5	5240TP003	5240TP003A	5240TP001B	8SF24560304B
NTD6703B-H6	5240DG02	5240FD002	5240DF001	NTD6703-BH6	5240TP004	5240TP004A	5240TP002B	8SF24560304B
NTD6703C-M5	5240DG01	5240FD001	5240DF001	NTD6703C-M5	5240TP001	5240TP001A	5240TP001B	8SF24560304B
NTD6703C-M6	5240DG01	5240FD001	5240DF001	NTD6703C-M6	5240TP002	5240TP002A	5240TP002B	8SF24560304B
NTD6703D-M5	5240DG01	5240FD001	5240DF001	NTD6703D-M5	5240TP001	5240TP001A	5240TP001B	8SF24560304B
NTD6703D-M6	5240DG01	5240FD001	5240DF001	NTD6703D-M6	5240TP002	5240TP002A	5240TP002B	8SF24560304B
NTD6704-H5	5242DG0001	5242FD0001	5242DF0001	NTD6704-H5	5242TP0001	5242TP0001A	5242TP0001B	8SF24560304B
NTD6704-H6	5242DG0001	5242FD0001	5242DF0001	NTD6704-H6	5242TP0002	5242TP0002A	5242TP0002B	8SF24560304B
NTD6712-M5	5240DG01	5240FD001	5240DF001	NTD6712-M5	5240TP001	5240TP001A	5240TP001B	8SF24560304B
NTD6712-M6	5240DG01	5240FD001	5240DF001	NTD6712-M6	5240TP002	5240TP002A	5240TP002B	8SF24560304B



NTD67系列組件(零件)一覽表

機型	送布齒組件編號	1 主送布齒	2 差動送布齒	機型	針板組件編號	1 針板	2 針板舌	3 螺絲
Models	Dog Set	Feed Dog	Differential Feed Dog	Models	Stitch Plate Set	Stitch plate	Stitch Plate Tongue	Screw
NTD6712-H5	5240DG01	5240FD001	5240DF001	NTD6712-H5	5240TP001	5240TP001A	5240TP001B	8SF24560304B
NTD6712-H6	5240DG01	5240FD001	5240DF001	NTD6712-H6	5240TP002	5240TP002A	5240TP002B	8SF24560304B
NTD6712-AH5	5240DG01	5240FD001	5240DF001	NTD6712-AH5	5240TP001	5240TP001A	5240TP001B	8SF24560304B
NTD6712-AH6	5240DG01	5240FD001	5240DF001	NTD6712-AH6	5240TP002	5240TP002A	5240TP002B	8SF24560304B
NTD6712-EH6	5240DG01	5240FD001	5240DF001	NTD6712-EH6	5240TP002	5240TP002A	5240TP002B	8SF24560304B
NTD6712F-M5	5240DG10	5240FD008	5240DF008	NTD6712-F5	5240TP001	5240TP001A	5240TP001B	8SF24560304B
NTD6712-S5	5240DG01	5240FD001	5240DF001	NTD6712-S5	5240TP001	5240TP001A	5240TP001B	8SF24560304B
NTD6712-S6	5240DG01	5240FD001	5240DF001	NTD6712-S6	5240TP002	5240TP002A	5240TP002B	8SF24560304B
NTD6730-M6	5240DG02	5240FD002	5240DF001	NTD6730-M6	5240TP004	5240TP004A	5240TP002B	8SF24560304B
								

1. 選購品 Option

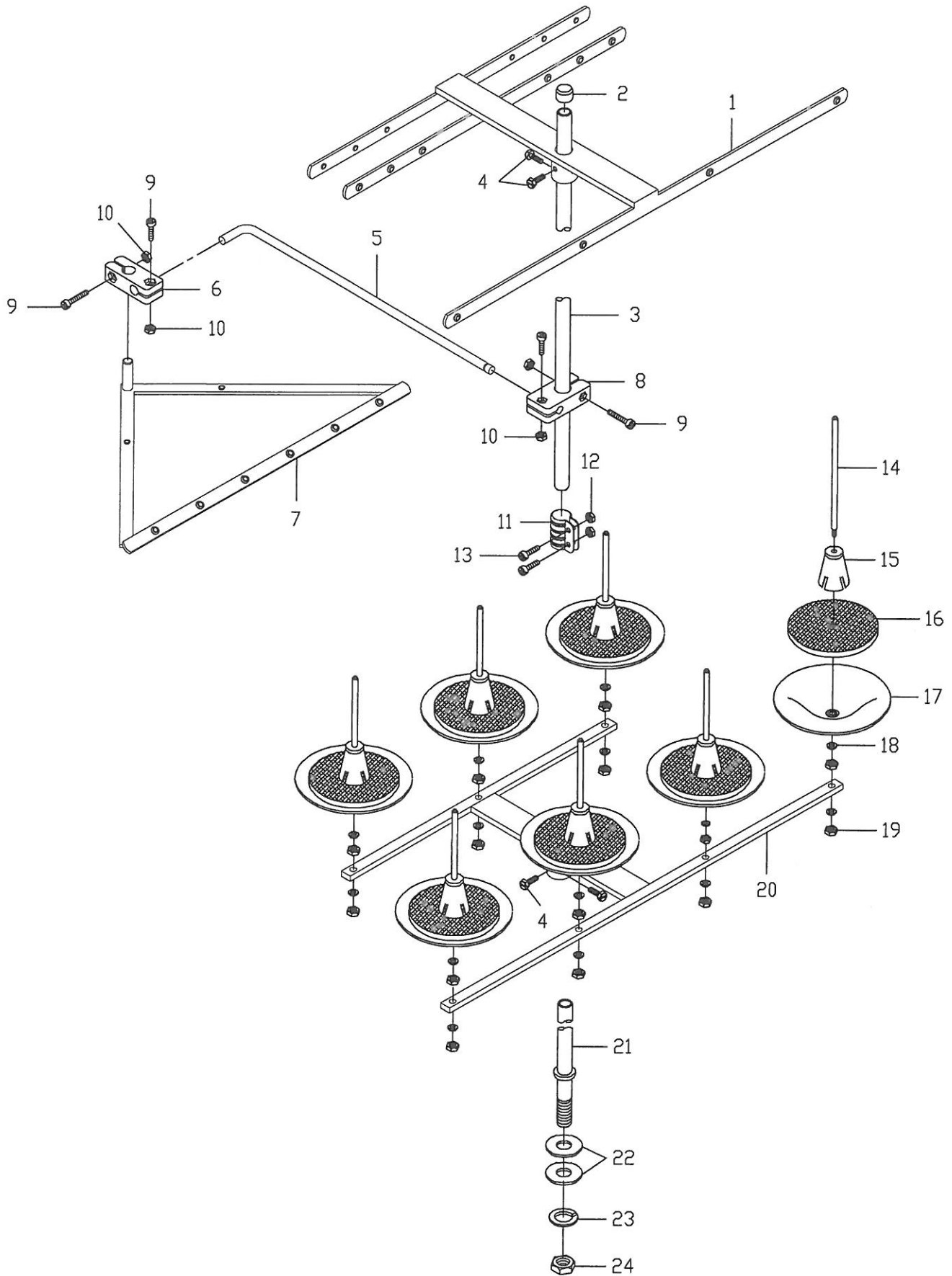


1. 選購品 Option

序號	物料編號	名稱	單位用量
Ref. No.	Parts No.	Description	Amt. Req.
1	5240TP003B	針板舌 Stitch Plate Tongue -----	1
2	5240TP002D	針板舌 Stitch Plate Tongue -----	1
3	5240NC008	針留 Needle -----	1
4	5240FG005	疊縫導模 Lap Former -----	1
5	5240DG21	送布齒組 Dog Set-----	1
6	5240DG22	送布齒組 Dog Set-----	1
7	5240DG19	送布齒組 Dog Set-----	1
8	5240DG20	送布齒組 Dog Set-----	1

2. 選購品 7線線架組 66713

Option 7 Thread Stand Components 66713

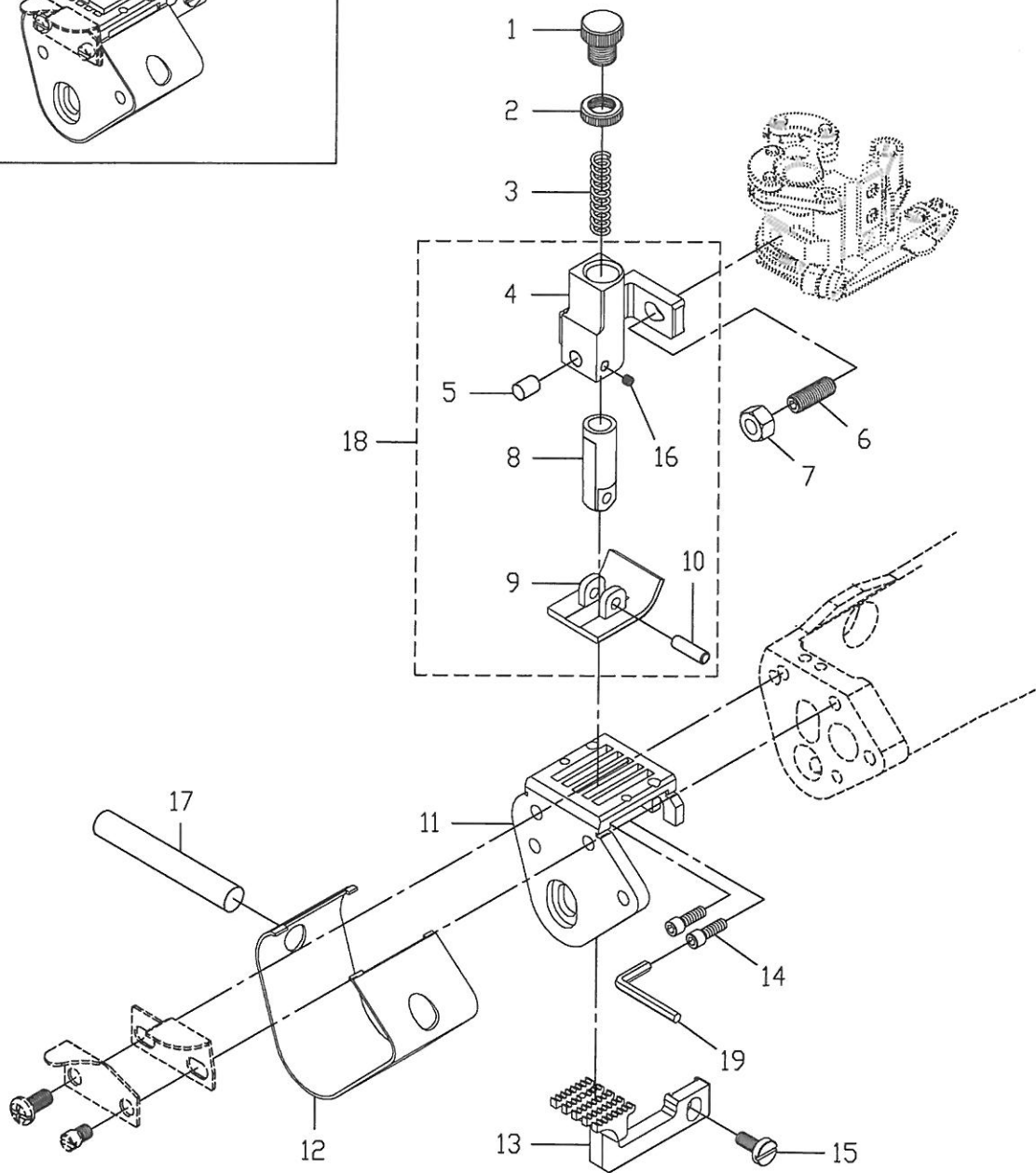
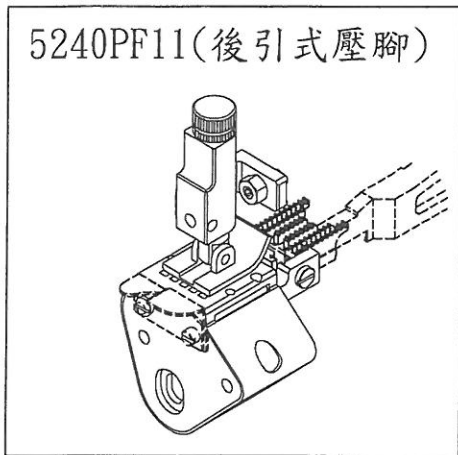


2. 選購品 7線線架組 66713

Option 7 Thread Stand Components 66713

序號	物料編號	名稱	單位用量
Ref.No.	Parts No.	Description	Amt. Req.
1	667131	導線臂 Thread Guide-----	1
2	667132	柱帽 Rod Cup-----	2
3	667133	上柱 Upper Thread Stand Rod-----	1
4	667134	螺絲 Screw-----	4
5	667135	旋臂 Arm-----	1
6	667136	接頭 Bracket-----	1
7	667137	導線桿 Thread Guide-----	1
8	667138	接頭 Bracket-----	1
9	667139	螺絲 Screw-----	4
10	6671310	螺帽 Nut-----	4
11	6671311	接頭 Joint-----	1
12	6671312	螺帽 Nut-----	2
13	6671313	螺絲 Screw-----	2
14	6671314	線盤軸 Spool Pin-----	7
15	6671315	定心錐 Spool Retaining Fig-----	7
16	6671316	緩衝墊 Seat-----	7
17	6671317	線盤 Spool Tray-----	7
18	6671318	墊圈 Washer-----	14
19	6671319	螺帽 Nut-----	14
20	6671320	線盤座 Thread Guide-----	1
21	6671321	下柱 Lower Thread Stand Rod-----	1
22	6671322	墊圈 Washer-----	2
23	6671323	彈簧墊圈 Washer-----	1
24	6671324	螺帽 Nut-----	1

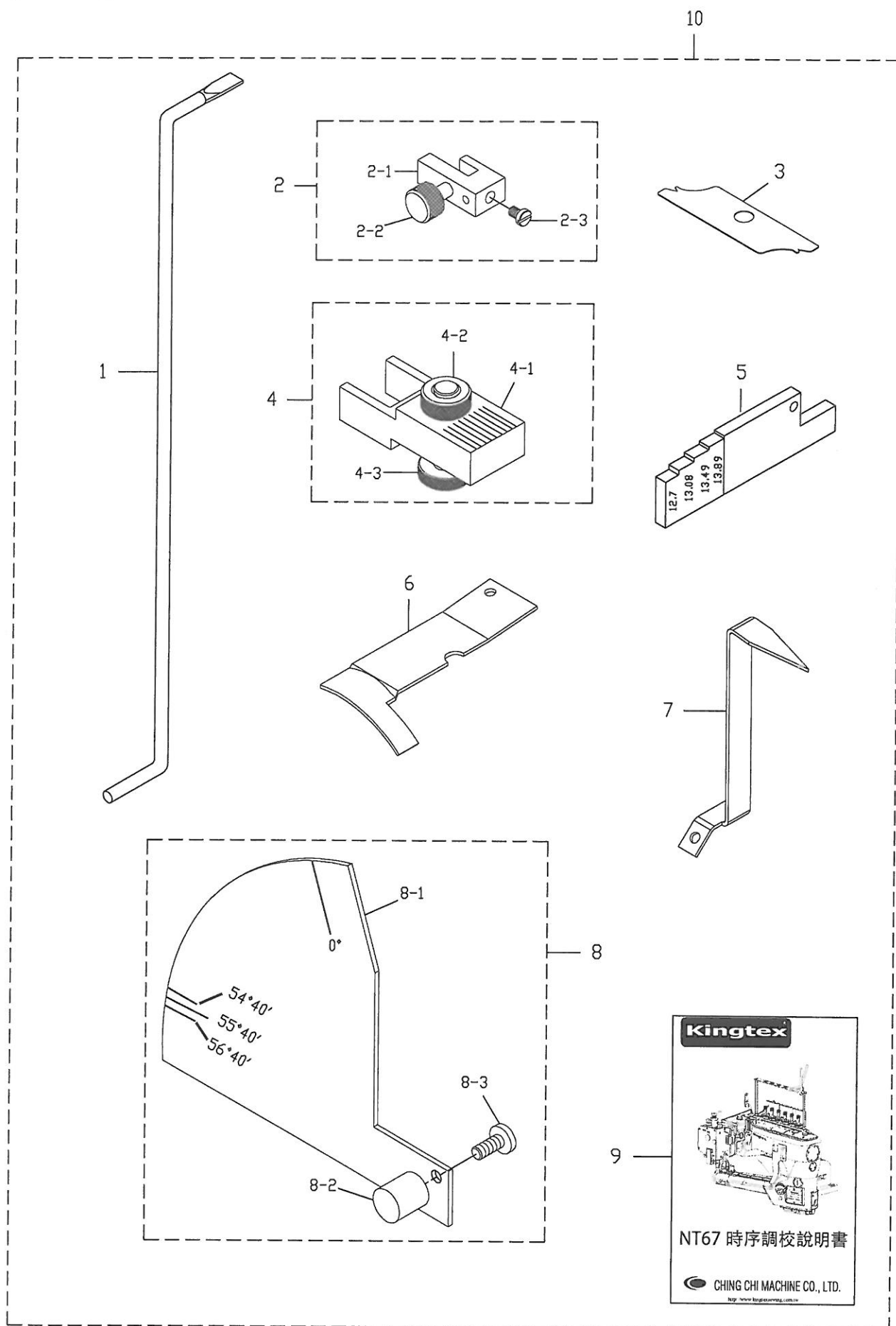
3. 選購品 Option 5240PF11 後引式壓腳



3. 選購品 Option 5240PF11 後引式壓腳組

序號	物料編號	名稱	單位用量
Ref. No.	Parts No.	Description	Amt. Req.
1	5240PF1137	調壓螺樁 Stud -----	1
2	5240PF1139	螺帽 Nut -----	1
3	5240PF1136	壓縮彈簧 Spring -----	1
4	5240PF1135	支架 Holder -----	1
5	5240PF1140	止動銷 Pin -----	1
6	8SN44401200A	螺絲 Screw -----	1
7	8SA44400407A	螺帽 Nut -----	1
8	5240PF1134	連桿 Press Bar -----	1
9	5240PF1133	壓腳底 Press Foot -----	1
10	90ST0310	結合銷 Pin -----	1
11	5240PF1132	送布齒導板 Feed Dog Plate -----	1
12	5240PF1138	護罩 Cover -----	1
13	5240PF1131	送布齒 Feed Dog -----	1
14	8MM04281207A	螺絲 Screw -----	2
15	8SB44401208A	螺絲 Screw -----	1
16	8MH85240500A	螺絲 Screw -----	1
17	5240PF1141	拆卸工具 Tool -----	1
18	5240APF1135	壓腳底組 Preser Foot Asm. -----	1
19	66642	六角扳手 Wrench(3mm) -----	1

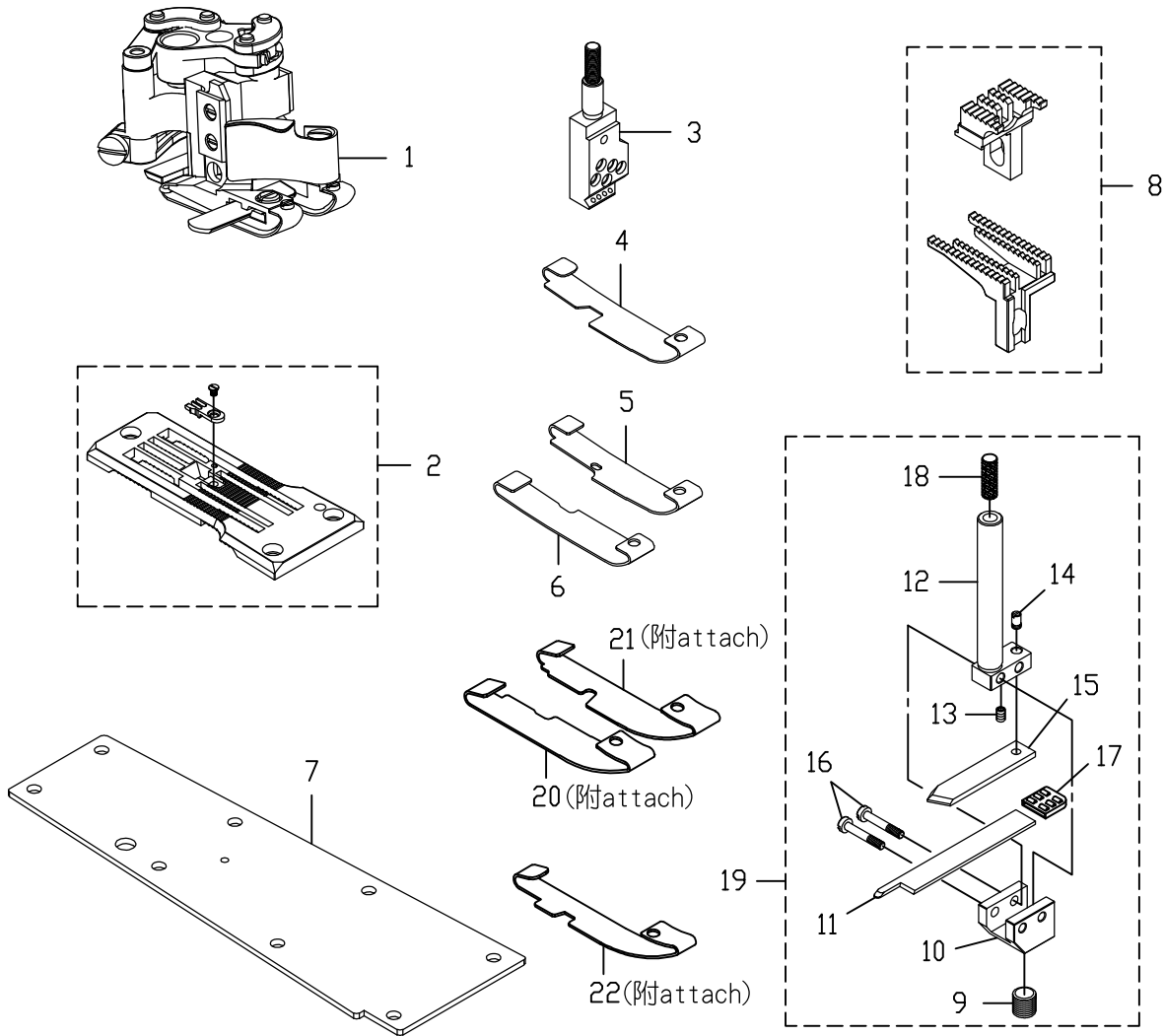
4. 選購品 時序調校工具 Option Adjustment Tool



4. 選購品 時序調校工具 Option Adjustment Tool

序號	物料編號	名稱	單位用量
Ref. No.	Parts No.	Description	Amt. Req.
1	66991-9	結線鉤調整工具 Looper Adjustment Tool -----	1
2	66991-5	結線鉤調整工具 Looper Adjustment Tool -----	1
2-1	66991-5A	結線鉤調整工具 Looper Adjustment Tool -----	1
2-2	66991-5B	螺絲 Screw -----	1
2-3	8MB03200606K	螺絲 Screw -----	1
3	66991-2	下結線鉤調整工具 Looper Adjustment Tool -----	1
4	66991-6	結線鉤調整工具 Looper Adjustment Tool -----	1
4-1	66991-6A	結線鉤調整工具 Looper Adjustment Tool -----	1
4-2	66991-6B	螺帽 Nut -----	1
4-3	66991-6C	螺絲 Screw -----	1
5	66991-12	下結線鉤調整工具 Looper Adjustment Tool -----	1
6	66991-1	下結線鉤調整工具 Looper Adjustment Tool -----	1
7	66991-7	結線鉤調整工具 Looper Adjustment Tool -----	1
8	66991-8	結線鉤調整工具 Looper Adjustment Tool -----	1
8-1	66991-8A	結線鉤調整工具 Looper Adjustment Tool -----	1
8-2	66991-8B	接頭 Bracket-----	1
8-3	8MB04280608A	螺絲 Screw -----	1
9	6NT6301-4	時序調校說明書 Adjustment Tool List -----	1
10	66991	調車工具組 Adjustment Tool Asm.-----	1

A1. NTD6701-M5/M6 專用零件 Exclusive Parts



NTD6701-M5 機型用

序號 Ref No.	名稱 Description	編號 Parts No.
1	壓腳組 Presser Foot Asm.	5240PF02
2	針板組 Stitch Plate Asm.	5240TP003
3	針留 Needle	5240NC0013
4	簧片輔助壓腳底 Presser Foot Spring Plate	5240PF0230
21	簧片輔助壓腳底 Presser Foot Spring Plate	5240PF0222(附)

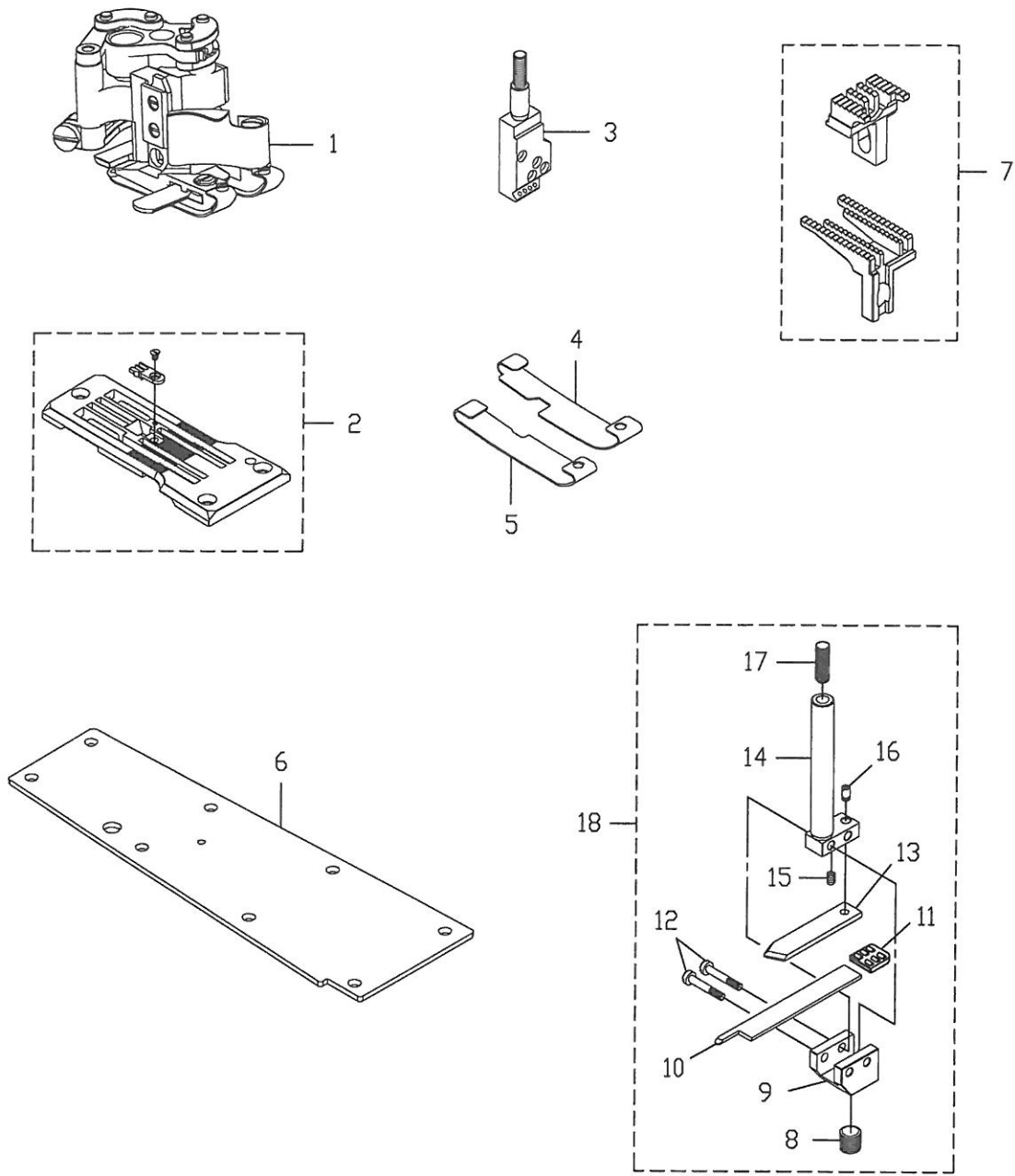
NTD6701-M6 機型用

序號 Ref No.	名稱 Description	編號 Parts No.
1	壓腳組 Presser Foot Asm.	5240PF04
2	針板組 Stitch Plate Asm.	5240TP004
3	針留 Needle	5240NC0023
5	簧片輔助壓腳底 Presser Foot Spring Plate	5240PF0229
22	簧片輔助壓腳底 Presser Foot Spring Plate	5240PF0225(附)

A1. NTD6701-M5/M6專用零件 Exclusive Parts

序號	物料編號	名稱	單位用量
Ref.No.	Parts No.	Description	Amt. Req.
1	-----	壓腳組 Presser Foot Set-----	1
2	-----	針板組 Stitch Plate Set -----	1
3	-----	針留 Needle Clamp-----	1
4	-----	簧片補助壓腳底 Presser Foot Spring Plate-----	1
5	-----	簧片補助壓腳底 Presser Foot Spring Plate-----	1
6	5240PF0231	簧片補助壓腳底 Presser Foot Spring Plate-----	1
7	2400010811	送齒台架封蓋 Sewing Cylinder Cover-----	1
8	5240DG02	送布齒組 Feed Dog Asm.-----	1
9	8SN64400600A	螺絲 Screw (NT67-08-43 1/4"-40*6)-----	1
10	2400100081	刀片夾 Upper Holder-----	1
11	2400100097	刀片 Upper Knife-----	1
12	240010021	刀柄 Knife-----	1
13	8SG24560400A	螺絲 Screw (NT67-08-16 3/32"-56*4)-----	1
14	8SB24560302M	螺樁 Screw (NT67-08-15 3/32"-56*3)-----	1
15	2400100101	壓板 Knife-----	1
16	8SB24561304B	螺絲 Screw (NT67-08-14 3/32"-56*13)-----	2
17	240010033	刀片護套 Upper Knife Cap-----	1
18	240010041	羊毛氈 Oil Wick -----	1
19	240A0100097	窄刀刀片組 Upper Knife Set-----	1
20	5240PF0223	簧片補助壓腳底 Presser Foot Spring Plate-----	1
21	-----	簧片補助壓腳底 Presser Foot Spring Plate-----	1
22	-----	簧片補助壓腳底 Presser Foot Spring Plate-----	1

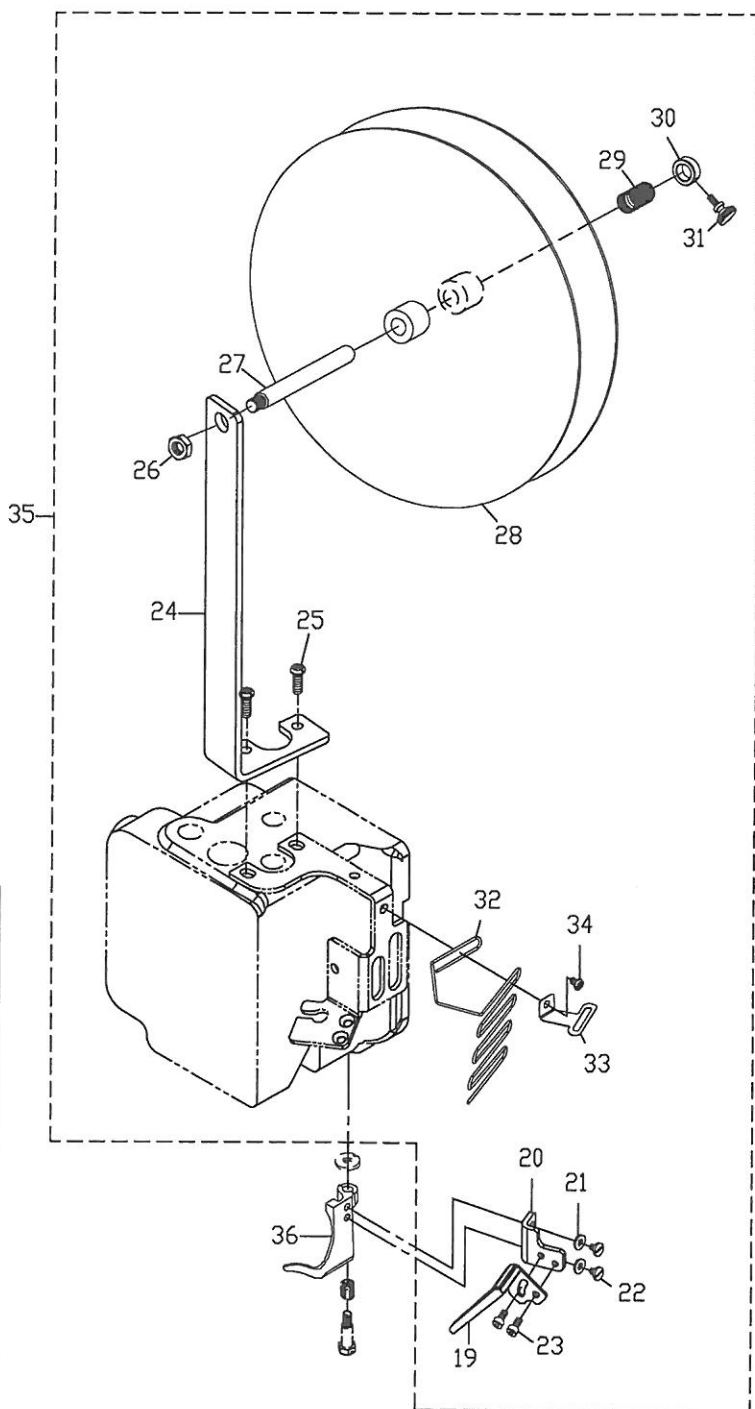
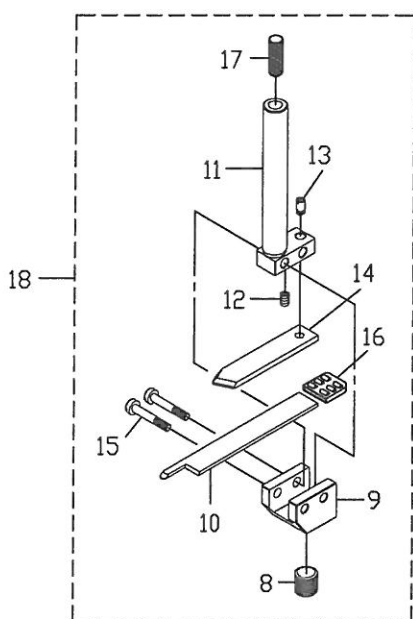
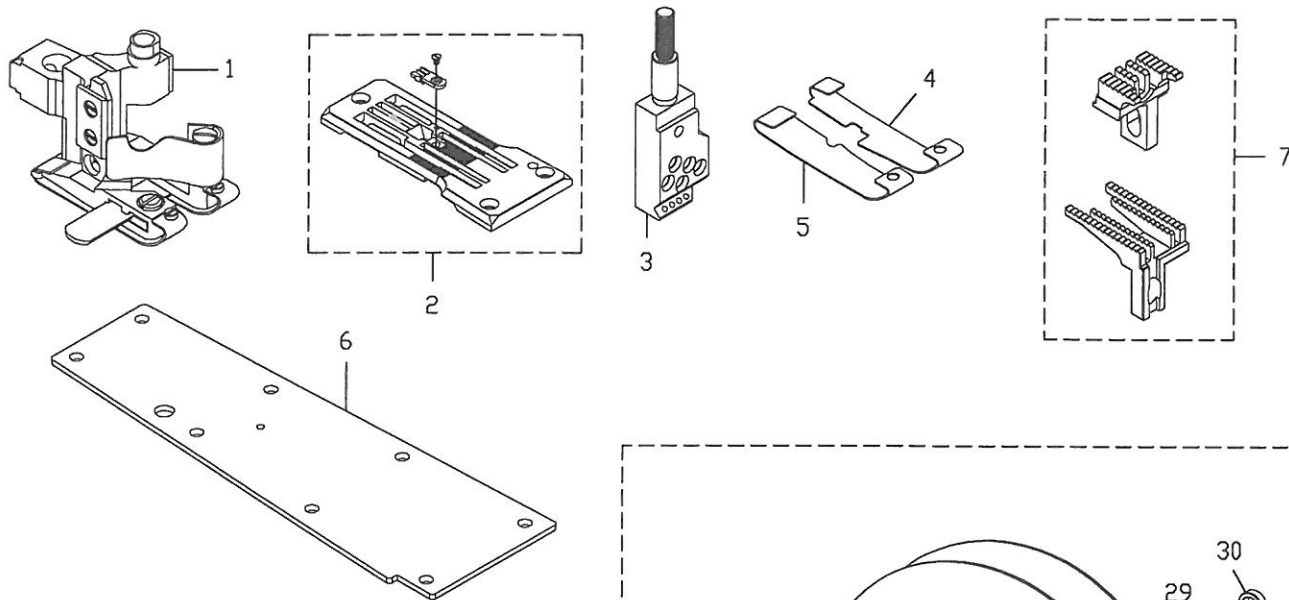
A2. NTD6701-M356 專用零件 Exclusive Parts



A2. NTD6701-M356專用零件 Exclusive Parts

序號	物料編號	名稱	單位用量
Ref.No.	Parts No.	Description	Amt. Req.
1	5240PF04	壓腳組 Presser Foot Set-----	1
2	5240TP018	針板組 Stitch Plate Set -----	1
3	5240NC008	針留 Needle Clamp-----	1
4	5240PF0230	簧片補助壓腳底 Presser Foot Spring Plate-----	1
5	5240PF0231	簧片補助壓腳底 Presser Foot Spring Plate-----	1
6	2400010811	送齒台架封蓋 Sewing Cylinder Cover-----	1
7	5240DG02	送布齒組 Feed Dog Asm.-----	1
8	8SN64400600A	螺絲 Screw (NT67-08-43 1/4"-40*6)-----	1
9	2400100081	刀片夾 Upper Holder-----	1
10	2400100097	刀片 Upper Knife-----	1
11	240010033	刀片護套 Upper Knife Cap-----	1
12	8SB24561304B	螺絲 Screw (NT67-08-14 3/32"-56*13)-----	2
13	2400100101	壓板 Knife-----	1
14	240010021	刀柄 Knife-----	1
15	8SG24560400A	螺絲 Screw (NT67-08-16 3/32"-56*4)-----	1
16	8SB24560302M	螺樁 Screw (NT67-08-15 3/32"-56*3)-----	1
17	240010041	羊毛氈 Oil Wick -----	1
18	240A0100097	窄刀刀片組 Upper Knife Set-----	1

B1. NTD6703-M5/M6 專用零件 Exclusive Parts



For NTD6703-M5

序號 Ref No.	名稱 Description	編號 Parts No.
1	壓腳組 Presser Foot Asm.	5240PF05
2	針板組 Stitch Plate Asm.	5240TP003
3	針留 Needle	5240NC0013

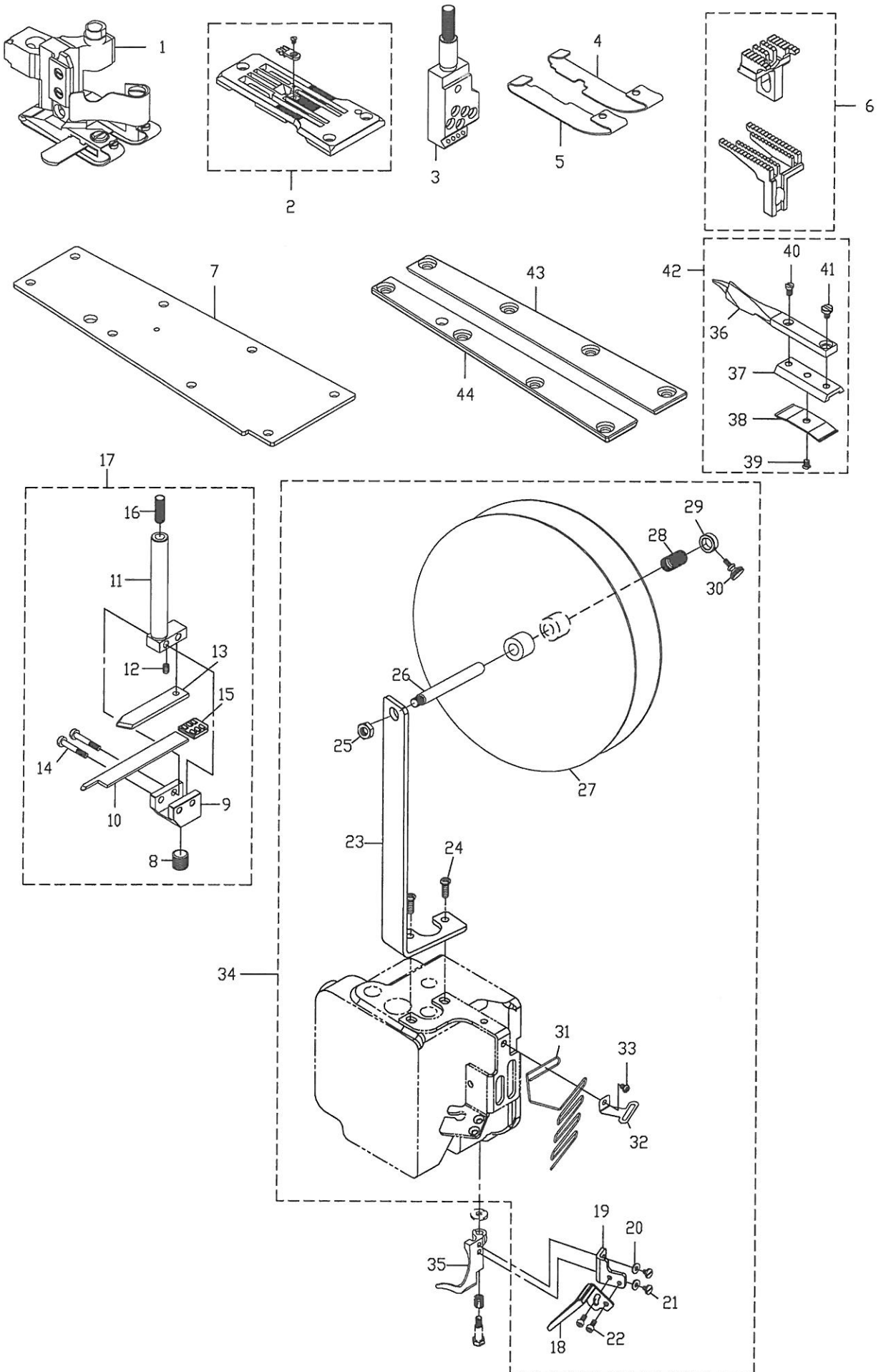
For NTD6703-M6

序號 Ref No.	名稱 Description	編號 Parts No.
1	壓腳組 Presser Foot Asm.	5240PF13
2	針板組 Stitch Plate Asm.	5240TP004
3	針留 Needle	5240NC0023

B1. NTD6703-M5/M6專用零件 Exclusive Parts

序號	物料編號	名稱	單位用量
Ref.No.	Parts No.	Description	Amt. Req.
1	-----	壓腳組 Presser Foot Set-----	1
2	-----	針板組 Stitch Plate Set -----	1
3	-----	針留 Needle-----	1
4	5240PF0514	簧片輔助壓腳底 Presser Foot Spring Plate-----	1
5	5240PF0515	簧片輔助壓腳底 Presser Foot Spring Plate-----	1
6	2400010811	送齒台架封蓋 Sewing Cylinder Cover-----	1
7	5240DG02	送布齒組 Dog Set-----	1
8	8SN64400600A	螺絲 Screw (NT67-08-43 1/4"-40*6)-----	1
9	2400100081	刀片夾 Upper Holder-----	1
10	2400100097	刀片 Upper Knife-----	1
11	240010021	刀柄 Knife-----	1
12	8SG24560400A	螺絲 Screw (NT67-08-16 3/32"-56*4)-----	1
13	8SB24560302M	螺絲 Screw (NT67-08-15 3/32"-56*3)-----	1
14	2400100101	壓板 Knife-----	1
15	8SB24561304B	螺絲 Screw (NT67-08-14 3/32"-56*13)-----	2
16	240010033	刀片護套 Upper Knife Cap-----	1
17	240010041	羊毛氈 Oil Wick-----	1
18	240A0100097	窄刀刀片組 Upper Knife Set-----	1
19	242FR0101	導模 Folder-----	1
20	242FR0102	支架 Bracket-----	1
21	2100000223	墊圈 Washer-----	2
22	8SC36400707A	螺絲 Screw (NTPF01-26 9/64"-40*7)-----	2
23	8MM03200606A	螺絲 Screw (C13-04-06 M3-0.5*6)-----	2
24	4TB0110101	支架 Bracket-----	1
25	8MB04281207K	螺絲 Screw (C02-39 M4-0.7*12)-----	2
26	8MA08500513A	螺帽 Nut (FTC1-01-26 M8-1.25*5)-----	1
27	4TB008003	軸 Shaft-----	1
28	4TS0050101	織帶盤 Tape Reel-----	2
29	4TB008005	壓縮彈簧 Tape Reel Spring-----	1
30	4TB008006	定位環 Collar-----	1
31	4TB008007	固定螺樁 Screw-----	1
32	240FR0102	蛇形導模 Folder-----	1
33	4TB008008	導帶 Tape Guide-----	1
34	8MC04280807D	螺絲 Screw (C01-30 M4-0.7*8)-----	1
35	TB011	補強帶組 Tape Reel Set Asm.-----	1
36	4TB008009	護罩 Guard Cover-----	1

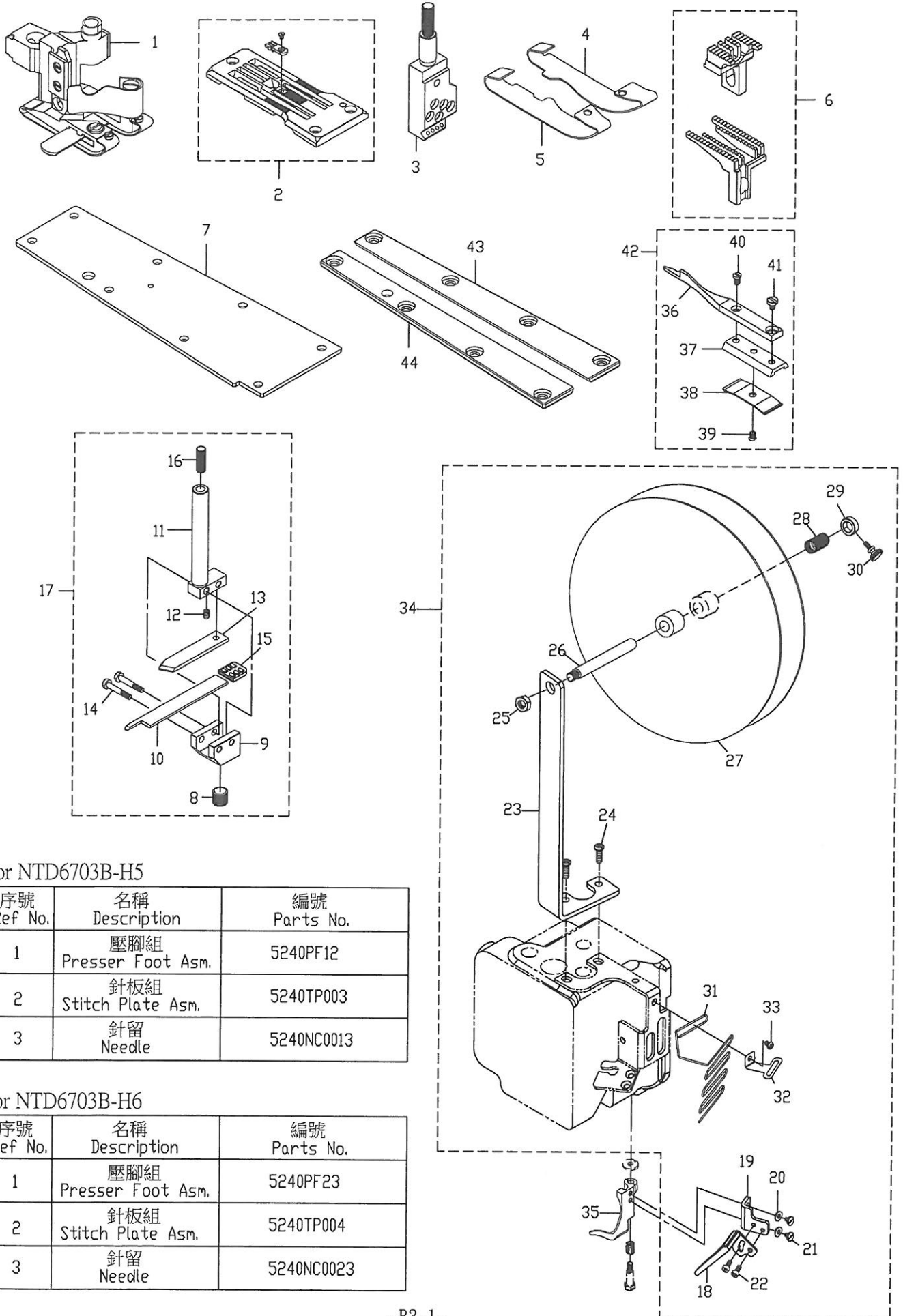
B2. NTD6703A-H5 專用零件 Exclusive Parts



B2. NTD6703A-H5專用零件 Exclusive Parts

序號	物料編號	名稱	單位用量
Ref.No.	Parts No.	Description	Amt. Req.
1	5240PF06	壓腳組 Presser Foot Set-----	1
2	5240TP003	針板組 Stitch Plate Set-----	1
3	5240NC0013	針留 Needle-----	1
4	5240PF0614	簧片輔助壓腳底 Presser Foot Spring Plate-----	1
5	5240PF0615	簧片輔助壓腳底 Presser Foot Spring Plate-----	1
6	5240DG02	送布齒組 Dog Set-----	1
7	2400010531	送齒台架封蓋 Sewing Cylinder Cover-----	1
8	8SN64400600A	螺絲 Screw (NT67-08-43 1/4"-40*6)-----	1
9	240010030	刀片夾 Upper Holder-----	1
10	2400100277	刀片 Upper Knife-----	1
11	240010029	刀柄 Knife-----	1
12	8SG24560400A	螺絲 Screw (NT67-08-16 3/32"-56*4)-----	1
13	2400100281	壓板 Knife-----	1
14	8SB24561404B	螺絲 Screw (NT67-08-14 3/32"-56*13)-----	2
15	240010034	刀片護套 Upper Knife Cap-----	1
16	240010041	羊毛氈 Oil Wick-----	1
17	240A0100277	寬刀刀片組 Upper Knife Set-----	1
18	242FR0101	導模 Folder-----	1
19	242FR0102	支架 Bracket-----	1
20	2100000223	墊圈 Washer-----	2
21	8SC36400707A	螺絲 Screw (NTPF01-26 9/64"-40*7)-----	2
22	8MM03200606A	螺絲 Screw (C13-04-06 M3-0.5*6)-----	2
23	4TB0110101	支架 Bracket-----	1
24	8MB04281207K	螺絲 Screw (C02-39 M4-0.7*12)-----	2
25	8MA08500513A	螺帽 Nut (FTC1-01-26 M8-1.25*5)-----	1
26	4TB008003	軸 Shaft-----	1
27	4TS0050101	織帶盤 Tape Reel-----	2
28	4TB008005	壓縮彈簧 Tape Reel Spring-----	1
29	4TB008006	定位環 Collar-----	1
30	4TB008007	固定螺樁 Screw-----	1
31	240FR0102	蛇形導模 Folder-----	1
32	4TB008008	導帶 Tape Guide-----	1
33	8MC04280807D	螺絲 Screw (C01-30 M4-0.7*8)-----	1
34	TB011	補強帶組 Tape Reel Set Asm.-----	1
35	4TB008011	護罩 Guard Cover-----	1
36	5240FG001	疊縫導模 Lap Former -----	1
37	240010022	導模座 Lap Former Slide Block-----	1
38	240010023	簧片 Lap Former Slide Block Spring-----	1
39	8SF24560304B	螺絲 Screw (NT67-07-27 3/32"-56*3)-----	1
40	8SB24560404B	螺絲 Screw (NT67-08-44 3/32"-56*4)-----	1
41	8SB24560405B	螺絲 Screw (NT67-08-39 3/32"-56*4)-----	1
42	5240AFG001	疊縫導模組 Lap Former Set -----	1
43	2400010681	鳩尾導軌 Lap Former Guide Plate-----	1
44	2400010691	鳩尾導軌 Lap Former Guide Plate-----	1

B3. NTD6703B-H5/BH6 專用零件 Exclusive Parts



For NTD6703B-H5

序號 Ref No.	名稱 Description	編號 Parts No.
1	壓腳組 Presser Foot Asm.	5240PF12
2	針板組 Stitch Plate Asm.	5240TP003
3	針留 Needle	5240NC0013

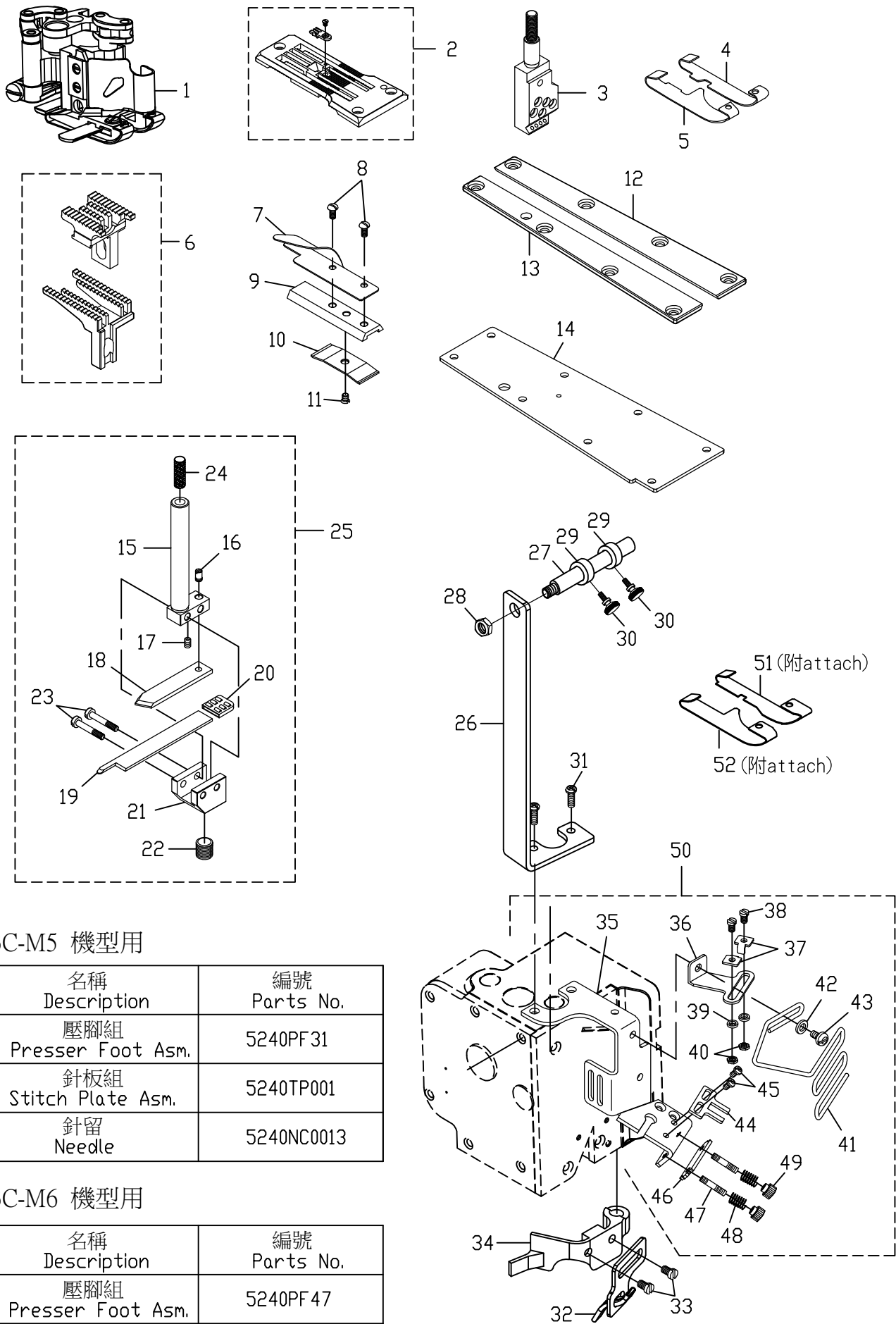
For NTD6703B-H6

序號 Ref No.	名稱 Description	編號 Parts No.
1	壓腳組 Presser Foot Asm.	5240PF23
2	針板組 Stitch Plate Asm.	5240TP004
3	針留 Needle	5240NC0023

B3. NTD6703B-H5/BH6 專用零件 Exclusive Parts

序號	物料編號	名稱	單位用量
Ref.No.	Parts No.	Description	Amt. Req.
1	-----	壓腳組 Presser Foot Set-----	1
2	-----	針板組 Stitch Plate Set-----	1
3	-----	針留 Needle Clamp -----	1
4	5240PF0714	簧片輔助壓腳底 Presser Foot Spring Plate-----	1
5	5240PF1215	簧片輔助壓腳底 Presser Foot Spring Plate-----	1
6	5240DG02	送布齒組 Dog Set-----	1
7	2400010531	送齒台架封蓋 Sewing Cylinder Cover-----	1
8	8SN64400600A	螺絲 Screw (NT67-08-43 1/4"-40*6)-----	1
9	240010030	刀片夾 Upper Holder-----	1
10	2400100277	刀片 Upper Knife-----	1
11	240010029	刀柄 Knife-----	1
12	8SG24560400A	螺絲 Screw (NT67-08-16 3/32"-56*4)-----	1
13	2400100281	壓板 Knife-----	1
14	8SB24561404B	螺絲 Screw (NT67-08-14 3/32"-56*13)-----	2
15	240010034	刀片護套 Upper Knife Cap-----	1
16	240010041	羊毛氈 Oil Wick-----	1
17	240A0100277	寬刀刀片組 Upper Knife Set-----	1
18	242FR010	導模 Folder-----	1
19	242FR0102	支架 Bracket-----	1
20	2100000223	墊圈 Washer-----	2
21	8SC36400707A	螺絲 Screw (NTPF01-26 9/64"-40*7)-----	2
22	8MM03200606A	螺絲 Screw (C13-04-06 M3-0.5*6)-----	2
23	4TB0110101	支架 Bracket-----	1
24	8MB04281207K	螺絲 Screw (C02-39 M4-0.7*12)-----	2
25	8MA08500513A	螺帽 Nut (FTC1-01-26 M8-1.25*5)-----	1
26	4TB008003	軸 Shaft-----	1
27	4TS0050101	織帶盤 Tape Reel-----	2
28	4TB008005	壓縮彈簧 Tape Reel Spring-----	1
29	4TB008006	定位環 Collar-----	1
30	4TB008007	固定螺椿 Screw-----	1
31	240FR0102	蛇形導模 Folder-----	1
32	4TB008008	導帶 Tape Guide-----	1
33	8MC04280807D	螺絲 Screw (C01-30 M4-0.7*8)-----	1
34	TB011	補強帶組 Tape Reel Set Asm.-----	1
35	4TB008011	護罩 Guard Cover-----	1
36	5240FG0041	疊縫導模 Lap Former -----	1
37	240010022	導模座 Lap Former Slide Block-----	1
38	240010023	簧片 Lap Former Slide Block Spring-----	1
39	8SF24560304B	螺絲 Screw (NT67-07-27 3/32"-56*3)-----	1
40	8SB24560404B	螺絲 Screw (NT67-08-44 3/32"-56*4)-----	1
41	8SB24560405B	螺絲 Screw (NT67-08-39 3/32"-56*4)-----	1
42	5240AFG0041	疊縫導模組 Lap Former Set -----	1
43	2400010681	鳩尾導軌 Lap Former Guide Plate-----	1
44	2400010691	鳩尾導軌 Lap Former Guide Plate-----	1
45	2400010681	鳩尾導軌 Lap Former Guide Plate-----	1
46	2400010691	鳩尾導軌 Lap Former Guide Plate-----	1

B4. NTD6703C-M5/ M6 (全包)專用零件 Exclusive Parts



NTD6703C-M5 機型用

序號 Ref No.	名稱 Description	編號 Parts No.
1	壓腳組 Presser Foot Asm.	5240PF31
2	針板組 Stitch Plate Asm.	5240TP001
3	針留 Needle	5240NC0013

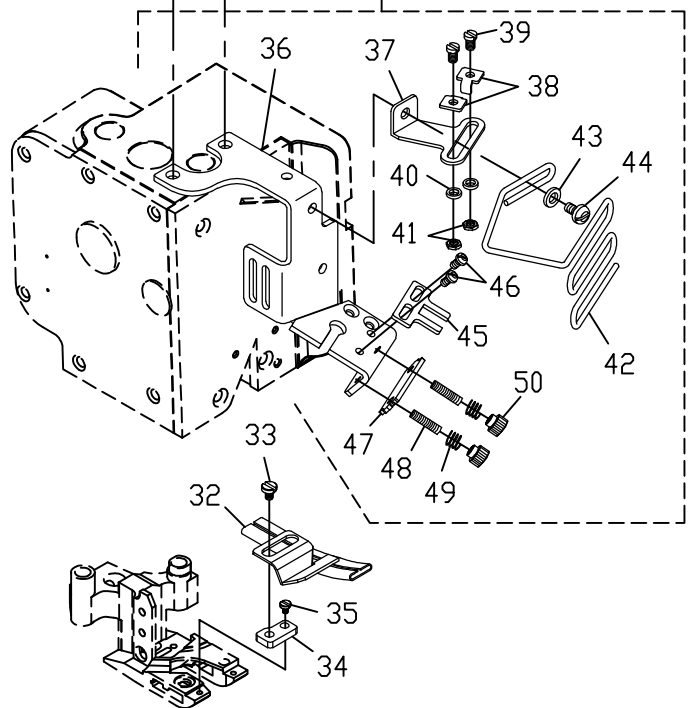
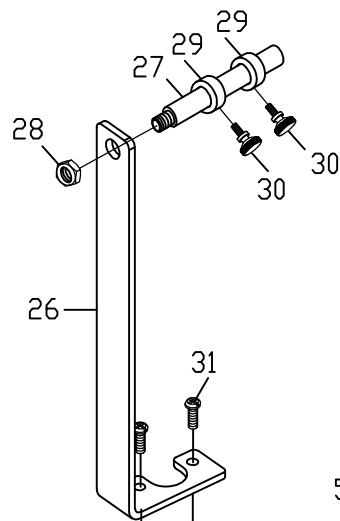
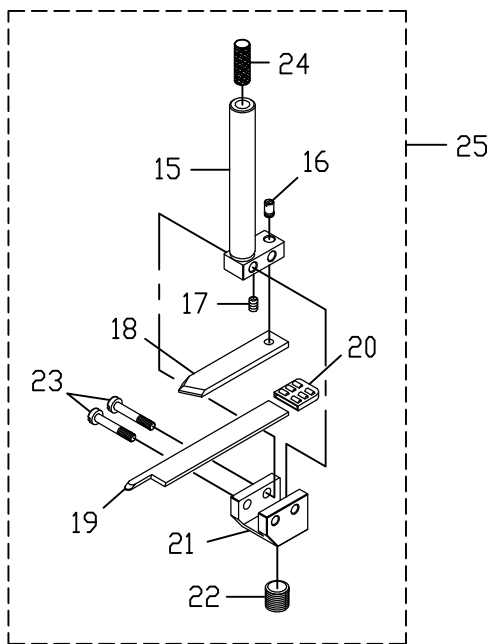
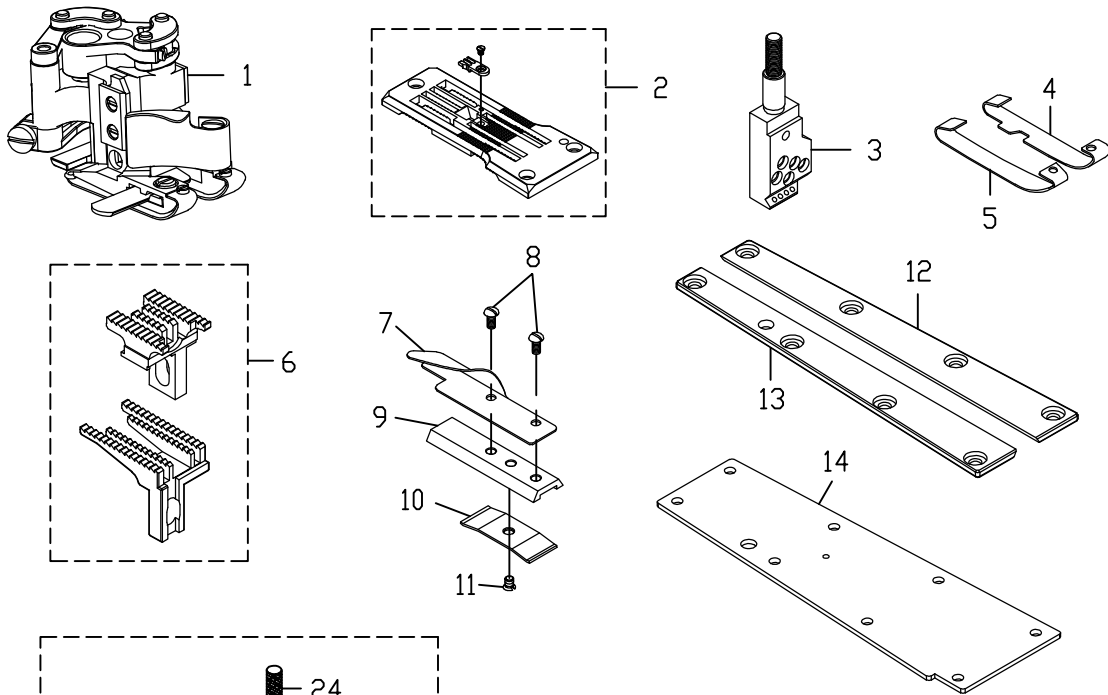
NTD6703C-M6 機型用

序號 Ref No.	名稱 Description	編號 Parts No.
1	壓腳組 Presser Foot Asm.	5240PF47
2	針板組 Stitch Plate Asm.	5240TP002
3	針留 Needle	5240NC0023

B4. NTD6703C-M5/M6(全包)專用零件 Exclusive Parts

序號 Ref.No.	物料編號 Parts No.	名稱 Description	單位用量 Amt. Req.
1	-----	壓腳組 Presser Foot Set-----	1
2	-----	針板組 Stitch Plate Set-----	1
3	-----	針留 Needle-----	1
4	5240PF0114	簧片輔助壓腳底 Presser Foot Spring Plate-----	1
5	5240PF0135	簧片輔助壓腳底 Presser Foot Spring Plate-----	1
6	5240DG01	送布齒組 Dog Set-----	1
7	240FR0105	導模 Lap Forme-----	1
8	8SC24560305B	螺絲 Screw (NT67-16-27 3/32"-56*3)-----	2
9	240010032	導模座 Lap Former Slide Block-----	1
10	240010023	簧片 Lap Former Slide Block Spring-----	1
11	8SF24560304B	螺絲 Screw (NT67-07-27 3/32"-56*3)-----	1
12	2400010681	鳩尾導軌 Lap Former Guide Plate-----	1
13	2400010691	鳩尾導軌 Lap Former Guide Plate-----	1
14	2400010531	送齒台架封蓋 Sewing Cylinder Cover-----	1
15	240010021	刀柄 Knife-----	1
16	8SB24560302M	螺椿 Screw(NT67-08-15 3/32"-56*3)-----	1
17	8SG24560400A	螺絲 Screw(NT67-08-16 3/32"-56*4)-----	1
18	2400100101	壓板 Knife-----	1
19	2400100097	刀片 Upper Knife-----	1
20	240010033	刀片護套 Upper Knife Cap-----	1
21	2400100081	刀片夾 Upper Holder-----	1
22	8SN64400600A	螺絲 Screw (NT67-08-43 1/4"-40*6)-----	1
23	8SB24561304B	螺絲 Screw (NT67-08-14 3/32"-56*13)-----	2
24	240010041	羊毛氈 Oil Wick-----	1
25	240A0100097	窄刀刀片組 Upper Knife Set-----	1
26	4TB0110101	支架 Bracket-----	1
27	4TB008003	軸 Shaft-----	1
28	8MA08500513A	螺帽 Nut (FTC1-01-26 M8-1.25*5)-----	1
29	4TB0090109	限位環 Collar-----	2
30	4TB008007	固定螺椿 Screw-----	2
31	8MB04281207K	螺絲 Screw (C02-38 M4-0.7*12)-----	2
32	240FR0103	導模 Folder-----	1
33	8SC48280608D	螺絲 Screw (K05-37 3/16"-28*6)-----	2
34	240001181	護罩Cover-----	1
35	4TB0090101	防護罩 Guard Cover-----	1
36	4TB0090106	導帶 Tape Guide-----	1
37	4TB0090107	限位片 Tape Guide-----	2
38	8MB03200506K	螺絲 Screw (C05-25 M3-0.5*5)-----	2
39	2210000547	墊圈 Washer-----	2
40	8MA03200206B	螺帽 Nut (NT67-03-08 M3-0.5*2)-----	2
41	240FR0106	蛇行導模 Folder-----	1
42	2100000223	墊圈(W3) Washer-----	1
43	8MC04280807D	螺絲 Screw (C01-30 M4-0.7*8)-----	1
44	4TB0090105	導帶 Tape Guide-----	1
45	8MB03200305A	螺絲 Screw- (US040-01-11 M3-0.5*3)-----	2
46	4TB0090102	穩帶壓板 Tape Guide-----	1
47	4TB0090110	調整螺絲 Screw-----	2
48	22000003501	彈簧 Spring-----	2
49	4TB0090104	調壓旋鈕 Nut-----	2
50	TB009	補強帶組 Tape Reel Set Asm.-----	1
51	5240PF0123	簧片輔助壓腳底 Presser Foot Spring Plate-----	1
52	5240PF0122	簧片輔助壓腳底 Presser Foot Spring Plate-----	1

B5. NTD6703D-M5/ M6(露邊)專用零件 Exclusive Parts



NTD6703D-M5 機型用

序號 Ref No.	名稱 Description	編號 Parts No.
1	壓腳組 Presser Foot Asm.	5240PF30
2	針板組 Stitch Plate Asm.	5240TP001
3	針留 Needle	5240NC0013

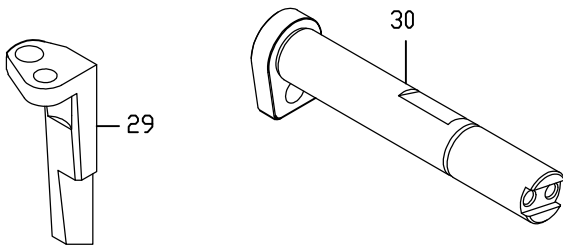
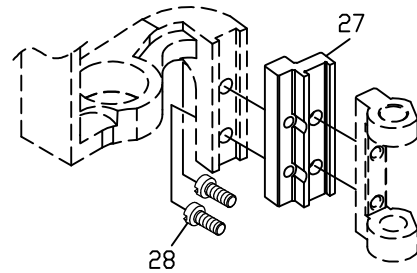
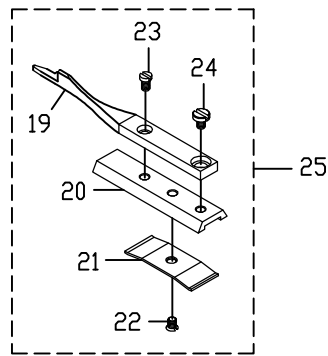
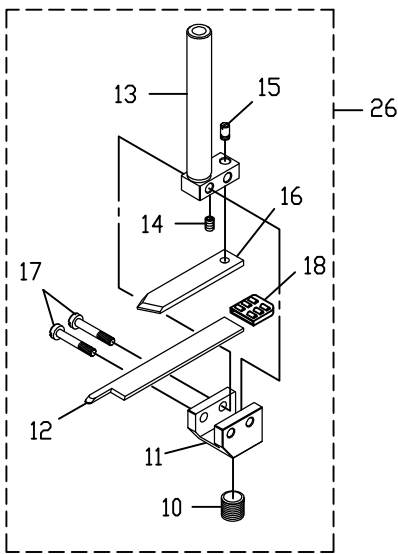
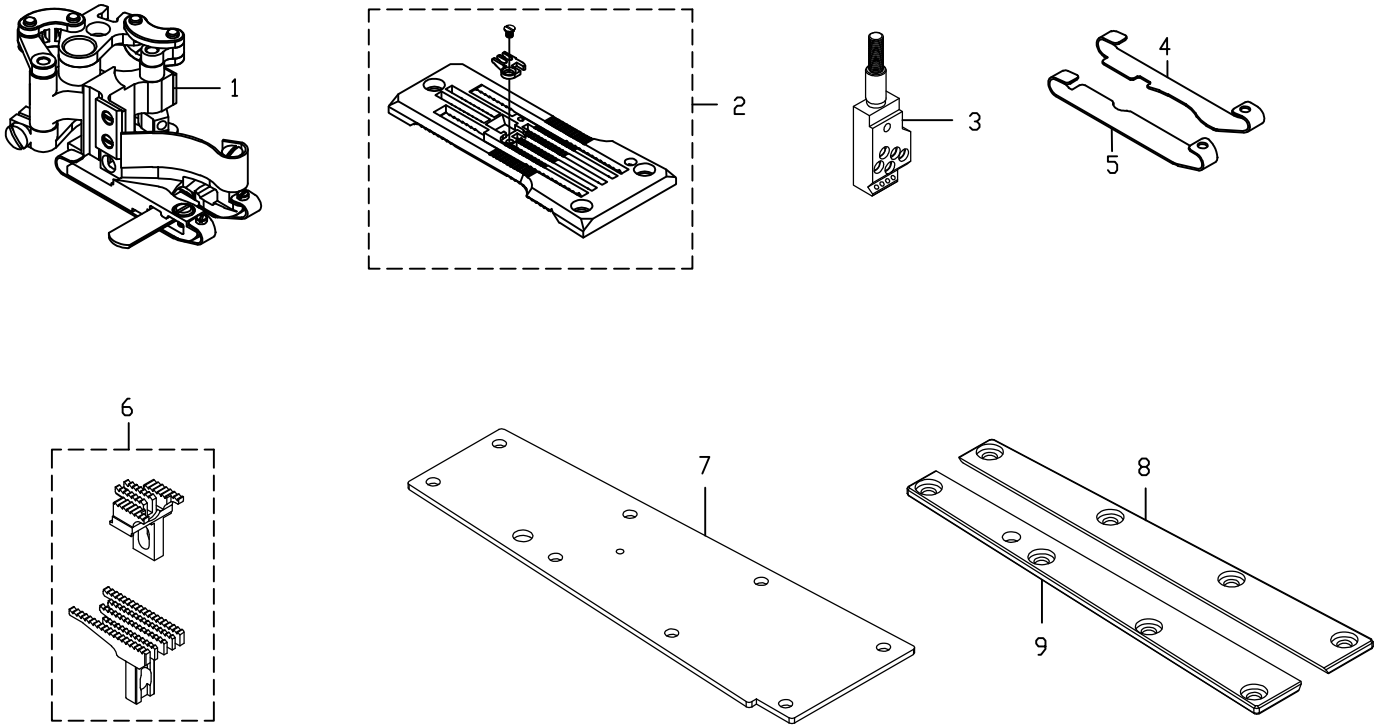
NTD6703D-M6 機型用

序號 Ref No.	名稱 Description	編號 Parts No.
1	壓腳組 Presser Foot Asm.	5240PF45
2	針板組 Stitch Plate Asm.	5240TP002
3	針留 Needle	5240NC0023

B5. NTD6703D-M5/M6(露邊)專用零件 Exclusive Parts

序號 Ref.No.	物料編號 Parts No.	名稱 Description	單位用量 Amt. Req.
1	-----	壓腳組 Presser Foot Set-----	1
2	-----	針板組 Stitch Plate Set-----	1
3	-----	針留 Needle-----	1
4	5240PF0114	簧片輔助壓腳底 Presser Foot Spring Plate-----	1
5	5240PF3015	簧片輔助壓腳底 Presser Foot Spring Plate-----	1
6	5240DG01	送布齒組 Dog Set-----	1
7	240FR0105	導模 Lap Forme-----	1
8	8SC24560305B	螺絲 Screw (NT67-16-27 3/32"-56*3)-----	2
9	240010032	導模座 Lap Former Slide Block-----	1
10	240010023	簧片 Lap Former Slide Block Spring-----	1
11	8SF24560304B	螺絲 Screw (NT67-07-27 3/32"-56*3)-----	1
12	2400010681	鳩尾導軌 Lap Former Guide Plate-----	1
13	2400010691	鳩尾導軌 Lap Former Guide Plate-----	1
14	2400010531	送齒台架封蓋 Sewing Cylinder Cover-----	1
15	240010021	刀柄 Knife-----	1
16	8SB24560302M	螺樁 Screw(NT67-08-15 3/32"-56*3)-----	1
17	8SG24560400A	螺絲 Screw(NT67-08-16 3/32"-56*4)-----	1
18	2400100101	壓板 Knife-----	1
19	2400100097	刀片 Upper Knife-----	1
20	240010033	刀片護套 Upper Knife Cap-----	1
21	2400100081	刀片夾 Upper Holder-----	1
22	8SN64400600A	螺絲 Screw (NT67-08-43 1/4"-40*6)-----	1
23	8SB24561304B	螺絲 Screw (NT67-08-14 3/32"-56*13)-----	2
24	240010041	羊毛氈 Oil Wick-----	1
25	240A0100097	窄刀刀片組 Upper Knife Set-----	1
26	4TB0110101	支架 Bracket-----	1
27	4TB008003	軸 Shaft-----	1
28	8MA08500513A	螺帽 Nut (FTC1-01-26 M8-1.25*5)-----	1
29	4TB0090109	限位環 Collar-----	2
30	4TB008007	固定螺樁 Screw-----	2
31	8MB04281207K	螺絲 Screw (C02-38 M4-0.7*12)-----	2
32	240FR0104	導模 Folder-----	1
33	8SB32440305B	螺絲 Screw (NT67-13-07 1/8"-44*3)-----	1
34	5240PF3011	承座 Block-----	1
35	8SB24560405A	螺絲 Screw (S04-13 3/32"*4)-----	1
36	4TB0090101	防護罩 Guard Cover-----	1
37	4TB0090106	導帶 Tape Guide-----	1
38	4TB0090107	限位片 Tape Guide-----	2
39	8MB03200506K	螺絲 Screw (C05-25 M3-0.5*5)-----	2
40	2210000547	墊圈 Washer-----	2
41	8MA03200206B	螺帽 Nut (NT67-03-08 M3-0.5*2)-----	2
42	240FR0106	蛇行導模 Folder-----	1
43	2100000223	墊圈(W3) Washer-----	1
44	8MC04280807D	螺絲 Screw (C01-30 M4-0.7*8)-----	1
45	4TB0090105	導帶 Tape Guide-----	1
46	8MB03200305A	螺絲 Screw- (US040-01-11 M3-0.5*3)-----	2
47	4TB0090102	穩帶壓板 Tape Guide-----	1
48	8MN03201200A	螺絲 Screw (UH01-24 M3-0.5*12)-----	2
49	4TB0090103	彈簧 Spring-----	2
50	4TB0090104	調壓旋鈕 Nut-----	2
51	TB009	補強帶組 Tape Reel Set Asm.-----	1

C1. NTD6704-H5/ H6專用零件 Exclusive Parts



NTD6704-H5 機型用

序號 Ref No.	名稱 Description	編號 Parts No.
1	壓腳組 Presser Foot Asm.	5242PF05
2	針板組 Stitch Plate Asm.	5242TP0001
3	針留 Needle	5240NC0013

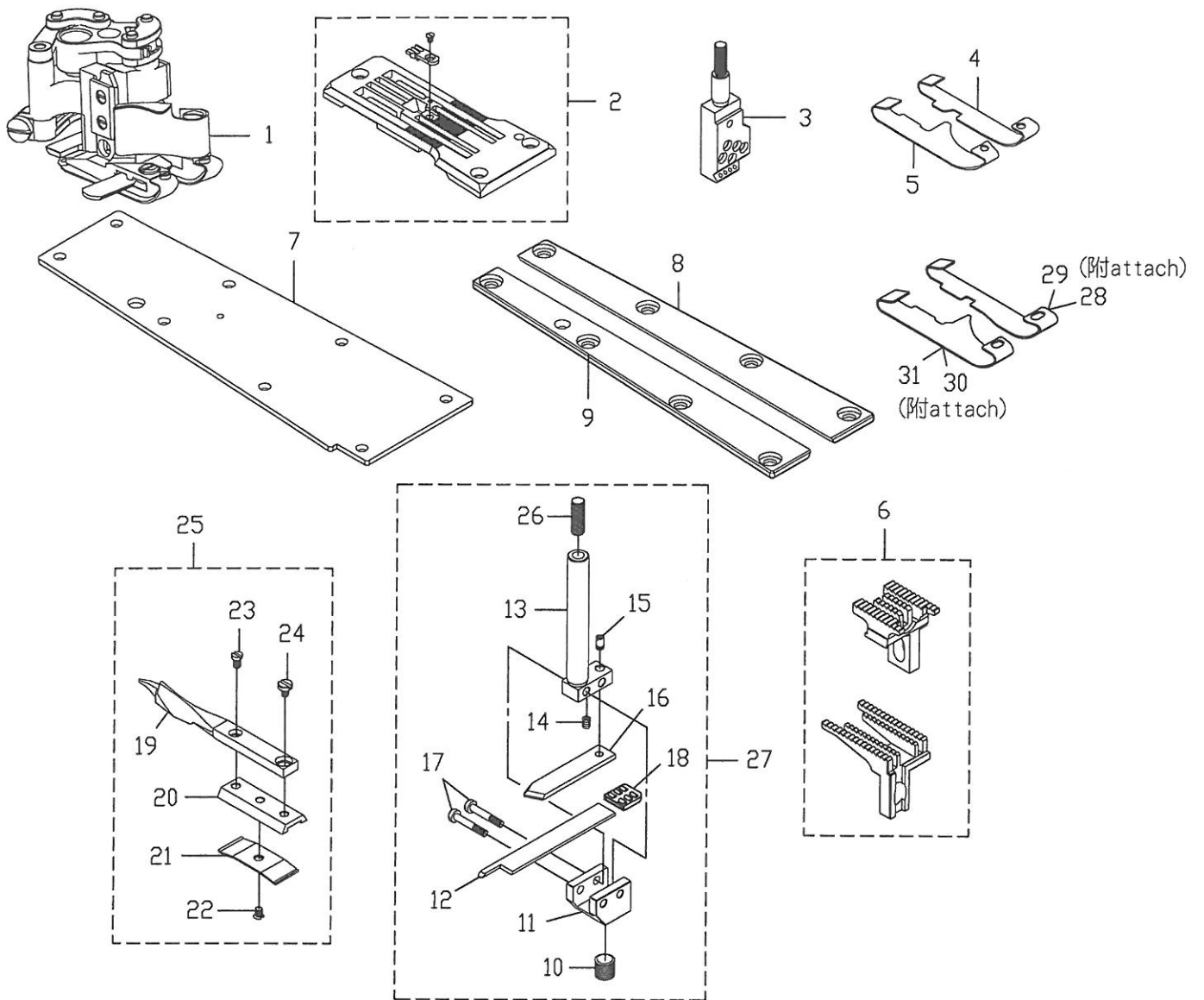
NTD6704-H6 機型用

序號 Ref No.	名稱 Description	編號 Parts No.
1	壓腳組 Presser Foot Asm.	5242PF06
2	針板組 Stitch Plate Asm.	5242TP0002
3	針留 Needle	5240NC0023

C1. NTD6704-H5/H6 專用零件 Exclusive Parts

序號	物料編號	名稱	單位用量
Ref.No.	Parts No.	Description	Amt. Req.
1	-----	壓腳組 Presser Foot Asm.-----	1
2	-----	針板組 Stitch Plate Asm.-----	1
3	-----	針留 Needle Clamp-----	1
4	5242PF0414	簧片輔助壓腳底 Presser Foot Spring Plate-----	1
5	5242PF0415	簧片輔助壓腳底 Presser Foot Spring Plate-----	1
6	5242DG0001	送布齒組 Feed Dog Asm.-----	1
7	2400010531	送齒台架封蓋 Sewing Cylinder Cover-----	1
8	2400010681	鳩尾導軌 Lap Former Guide Plate-----	1
9	2400010691	鳩尾導軌 Lap Former Guide Plate-----	1
10	8SN64400600A	螺絲 Screw (NT67-08-43 1/4"-40*6)-----	1
11	240010030	刀片夾 Upper Holder-----	1
12	2400100277	刀片 Upper Knife-----	1
13	240010029	刀柄 Knife-----	1
14	8SG24560400A	螺絲 Screw (NT67-08-16 3/32"-56*4)-----	1
15	8SB24560302M	螺絲 Screw (NT67-08-15 3/32"-56*3)-----	1
16	2400100281	壓板 Knife-----	1
17	8SB24561304B	螺絲 Screw (NT67-08-14 3/32"-56*13)-----	2
18	240010034	刀片護套 Upper Knife Cap-----	1
19	5242FG0001	疊縫導模 Lap Former -----	1
20	240010032	導模座 Lap Former Slide Block-----	1
21	240010023	簧片 Lap Former Slide Block Spring-----	1
22	8SF24560304B	螺絲 Screw (NT67-07-27 3/32"-56*3)-----	1
23	8SB24560404B	螺絲 Screw (NT67-08-44 3/32"-56*4)-----	1
24	8SB24560405B	螺絲 Screw (NT67-08-39 3/32"-56*4)-----	1
25	5242AFG0001	疊縫導模組 Lap Former Set -----	1
26	240A0100277	寬刀刀片組 Upper Knife Set-----	1
27	240010031	支架 Bracket-----	1
28	8SC36400807S	螺絲 Screw (NT67-08-09 9/64"-40*8)-----	2
29	2420000935	壓腳左導柱 Presser Foot Guide-----	1
30	240009012	擺動軸 Knife Driving Lever-----	1

D1. NTD6712-M5/ M6 專用零件 Exclusive Parts



NTD6712-M5 機型用

序號 Ref No.	名稱 Description	編號 Parts No.
1	壓腳組 Presser Foot Asm.	5240PF01
2	針板組 Stitch Plate Asm.	5240TP001
3	針留 Needle	5240NC0013

NTD6712-M6 機型用

序號 Ref No.	名稱 Description	編號 Parts No.
1	壓腳組 Presser Foot Asm.	5240PF03
2	針板組 Stitch Plate Asm.	5240TP002
3	針留 Needle	5240NC0023

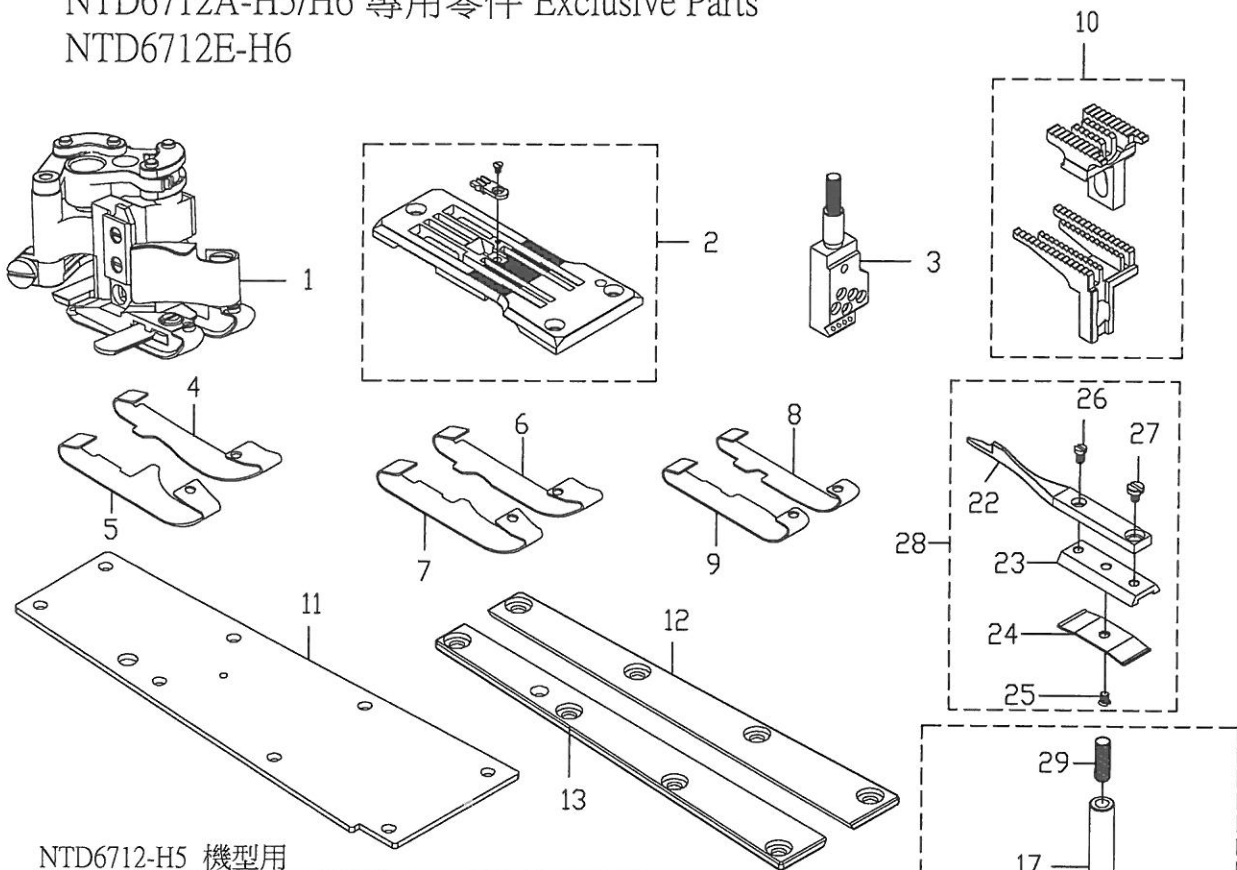
D1. NTD6712-M5/M6 專用零件 Exclusive Parts

序號	物料編號	名稱	單位用量
Ref.No.	Parts No.	Description	Amt. Req.
1	-----	壓腳組 Presser Foot Asm.-----	1
2	-----	針板組 Stitch Plate Asm.-----	1
3	-----	針留 Needle Clamp-----	1
4	5240PF0114	簧片輔助壓腳底 Presser Foot Spring Plate-----	1
5	5240PF0135	簧片輔助壓腳底 Presser Foot Spring Plate-----	1
6	5240DG01	送布齒組 Feed Dog Asm.-----	1
7	2400010531	送齒台架封蓋 Sewing Cylinder Cover-----	1
8	2400010681	鳩尾導軌 Lap Former Guide Plate-----	1
9	2400010691	鳩尾導軌 Lap Former Guide Plate-----	1
10	8SN64400600A	螺絲 Screw (NT67-08-43 1/4"-40*6)-----	1
11	2400100081	刀片夾 Upper Holder-----	1
12	2400100097	刀片 Upper Knife-----	1
13	240010021	刀柄 Knife-----	1
14	8SG24560400A	螺絲 Screw (NT67-08-16 3/32"-56*4)-----	1
15	8SB24560302M	螺絲 Screw (NT67-08-15 3/32"-56*3)-----	1
16	2400100101	壓板 Knife-----	1
17	8SB24561304B	螺絲 Screw (NT67-08-14 3/32"-56*13)-----	2
18	240010033	刀片護套 Upper Knife Cap-----	1
19	5240FG001	疊縫導模 Lap Former -----	1
20	240010022	導模座 Lap Former Slide Block-----	1
21	240010023	簧片 Lap Former Slide Block Spring-----	1
22	8SF24560304B	螺絲 Screw (NT67-07-27 3/32"-56*3)-----	1
23	8SB24560404B	螺絲 Screw (NT67-08-44 3/32"-56*4)-----	1
24	8SB24560405B	螺絲 Screw (NT67-08-39 3/32"-56*4)-----	1
25	5240AFG001	疊縫導模組 Lap Former Set -----	1
26	240010041	羊毛氈 Oil Wick -----	1
27	240A0100097	刀片組 Upper Knife Set -----	1
28	5240PF0142	簧片補助壓腳底 Presser Foot Spring Plate (0.5t)-----	1
29	5240PF0144	簧片補助壓腳底 Presser Foot Spring Plate (0.4t)-----	1
30	5240PF0143	簧片補助壓腳底 Presser Foot Spring Plate (0.5t)-----	1
31	5240PF0145	簧片補助壓腳底 Presser Foot Spring Plate (0.4t)-----	1

D2. NTD6712-H5/H6

NTD6712A-H5/H6 專用零件 Exclusive Parts

NTD6712E-H6



NTD6712-H5 機型用

序號 Ref No.	名稱 Description	編號 Parts No.
1	壓腳組 Presser Foot Asm.	5240PF07
2	針板組 Stitch Plate Asm.	5240TP001
3	針留 Needle	5240NC0013
22	疊縫導模 Lap Fomer	5240FG002

NTD6712-H6 機型用

序號 Ref No.	名稱 Description	編號 Parts No.
1	壓腳組 Presser Foot Asm.	5240PF09
2	針板組 Stitch Plate Asm.	5240TP002
3	針留 Needle	5240NC0023
22	疊縫導模 Lap Fomer	5240FG002

NTD6712E-H6 機型用

序號 Ref No.	名稱 Description	編號 Parts No.
1	壓腳組 Presser Foot Asm.	5240PF26
2	針板組 Stitch Plate Asm.	5240TP002
3	針留 Needle	5240NC0023
6	簧片輔助壓腳底 Presser Foot Spring Plate	5240PF10141(附 attach)
7	簧片輔助壓腳底 Presser Foot Spring Plate	5240PF10151(附 attach)
22	疊縫導模 Lap Fomer	5240FG0041

NTD6712A-H5 機型用

序號 Ref No.	名稱 Description	編號 Parts No.
1	壓腳組 Presser Foot Asm.	5240PF10
2	針板組 Stitch Plate Asm.	5240TP001
3	針留 Needle	5240NC0013
22	疊縫導模 Lap Fomer	5240FG0041

NTD6712A-H6 機型用

序號 Ref No.	名稱 Description	編號 Parts No.
1	壓腳組 Presser Foot Asm.	5240PF18
2	針板組 Stitch Plate Asm.	5240TP002
3	針留 Needle	5240NC0023
22	疊縫導模 Lap Fomer	5240FG0041

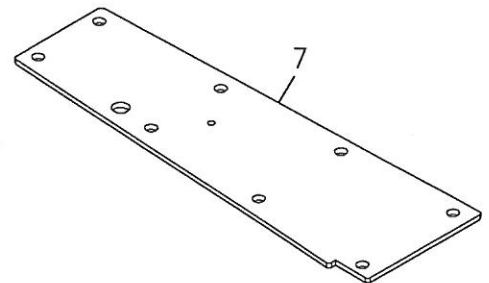
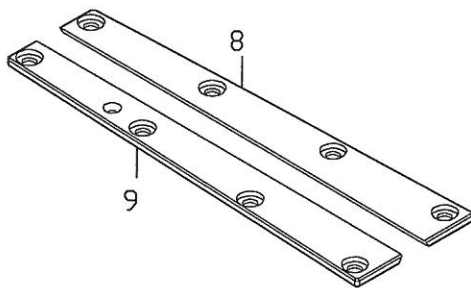
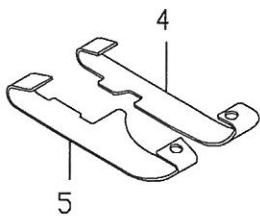
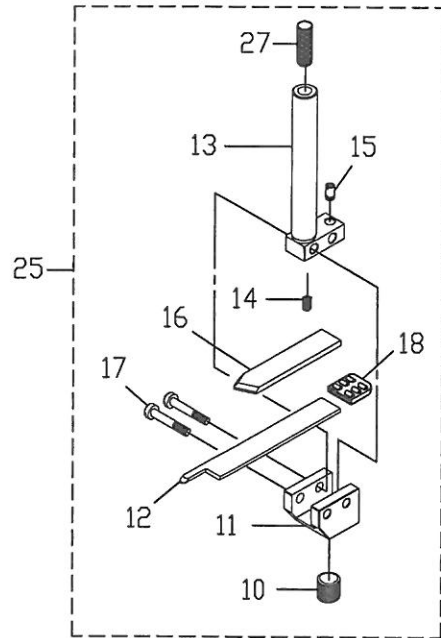
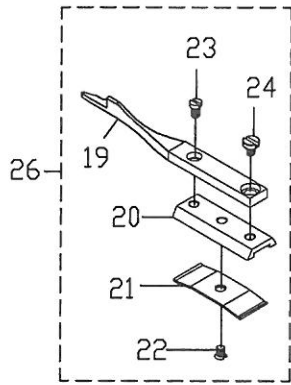
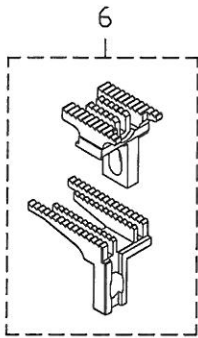
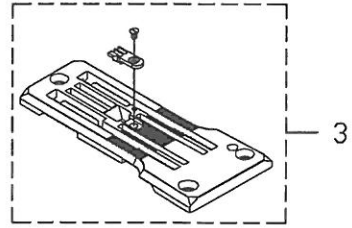
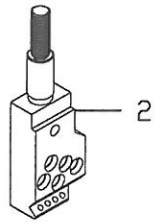
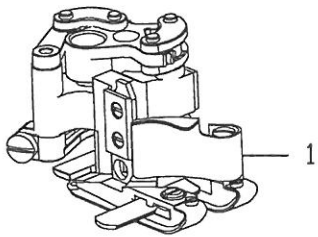
D2. NTD6712-H5/H6

NTD6712A-H5/H6 專用零件 Exclusive Parts

NTD6712E-H6

序號	物料編號	名稱	單位用量
Ref.No.	Parts No.	Description	Amt. Req.
1	-----	壓腳組 Presser Foot Asm.-----	1
2	-----	針板組 Stitch Plate Asm.-----	1
3	-----	針留 Needle Clamp-----	1
4	5240PF0714	簧片輔助壓腳底 Presser Foot Spring Plate For NTD6712-H5/H6-----	1
5	5240PF0715	簧片輔助壓腳底 Presser Foot Spring Plate For NTD6712-H5/H6-----	1
6	5240PF10141	簧片輔助壓腳底 Presser Foot Spring Plate For NTD6712-AH5/AH6-----	1
7	5240PF10151	簧片輔助壓腳底 Presser Foot Spring Plate For NTD6712-AH5/AH6-----	1
8	5240PF0114	簧片輔助壓腳底 Presser Foot Spring Plate For NTD6712-E6-----	1
9	5240PF0115	簧片輔助壓腳底 Presser Foot Spring Plate For NTD6712-E6-----	1
10	5240DG01	送布齒組 Dog Set-----	1
11	2400010531	送齒台架封蓋 Sewing Cylinder Cover-----	1
12	2400010681	鳩尾導軌 Lap Former Guide Plate-----	1
13	2400010691	鳩尾導軌 Lap Former Guide Plate-----	1
14	8SN64400600A	螺絲 Screw (NT67-08-43 1/4"-40*6)-----	1
15	240010030	刀片夾 Upper Holder-----	1
16	2400100277	刀片 Upper Knife-----	1
17	240010029	刀柄 Knife-----	1
18	8SG24560400A	螺絲 Screw (NT67-08-16 3/32"-56*4)-----	1
19	2400100281	壓板 Knife-----	1
20	8SB24561404B	螺絲 Screw (NT67-08-14 3/32"-56*13)-----	2
21	240010034	刀片護套 Upper Knife Cap-----	1
22	-----	疊縫導模 Lap Former -----	1
23	240010022	導模座 Lap Former Slide Block-----	1
24	240010023	簧片 Lap Former Slide Block Spring-----	1
25	8SF24560304B	螺絲 Screw (NT67-07-27 3/32"-56*3)-----	1
26	8SB24560404B	螺絲 Screw (NT67-08-44 3/32"-56*4)-----	1
27	8SB24560405B	螺絲 Screw (NT67-08-39 3/32"-56*4)-----	1
28	5240AFG0041	疊縫導模組 Lap Former Set -----	1
29	240010041	羊毛氈 Oil Wick -----	1
30	240A0100277	刀片組 Upper Knife Set -----	1

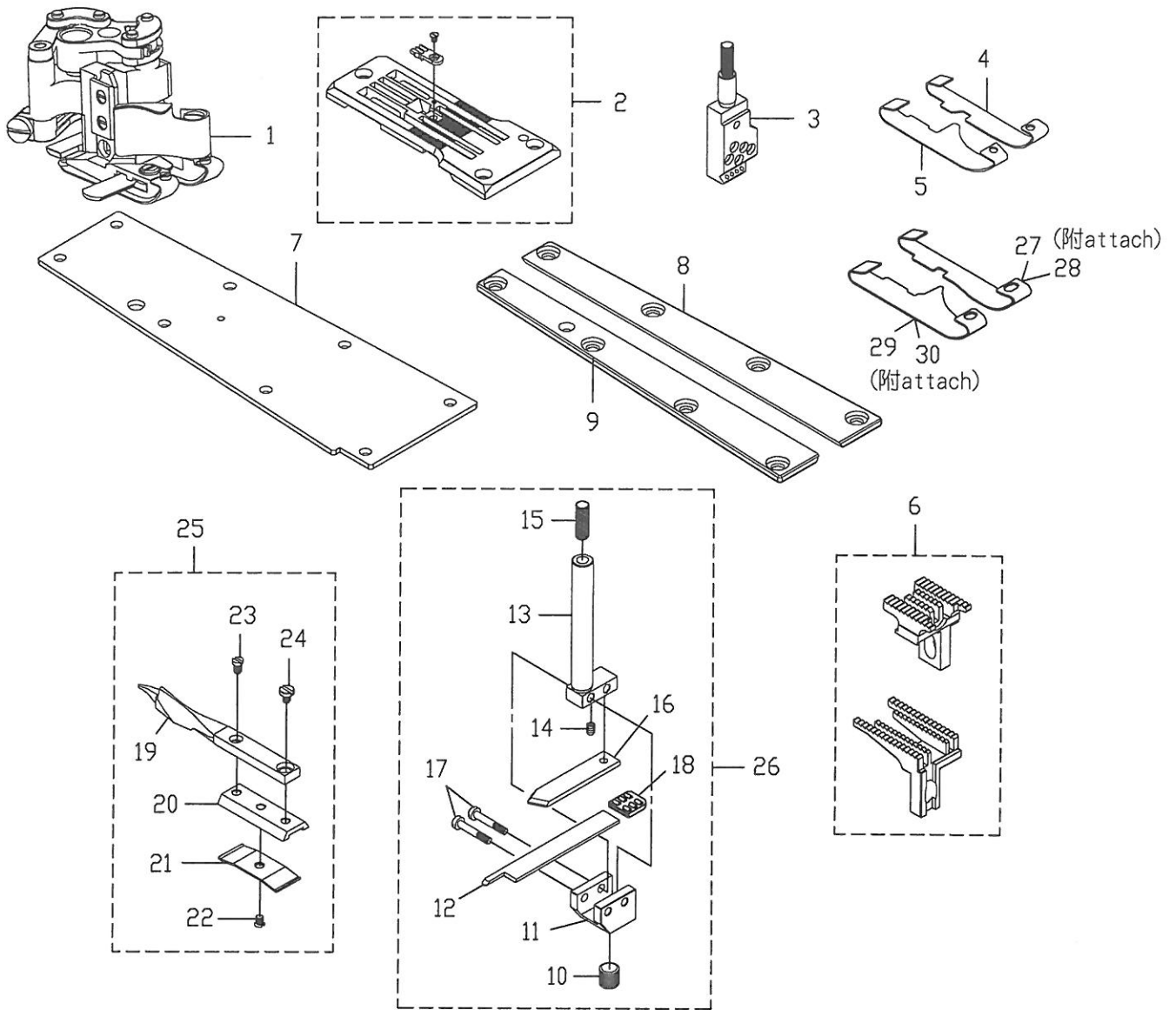
D3. NTD6712F-M5 專用零件 Exclusive Parts



D3. NTD6712F-M5 專用零件 Exclusive Parts

序號	物料編號	名稱	單位用量
Ref.No.	Parts No.	Description	Amt. Req.
1	5240PF27	壓腳組 Presser Foot Set-----	1
2	5240NC0013	針留 Needle Clamp -----	1
3	5240TP001	針板組 Stitch Plate Set -----	1
4	5240PF2734	簧片輔助壓腳底 Presser Foot Spring Plate-----	1
5	5240PF2735	簧片輔助壓腳底 Presser Foot Spring Plate-----	1
6	5240DG10	送布齒組 Dog Set-----	1
7	2400010531	送齒台架封蓋 Sewing Cylinder Cover-----	1
8	2400010681	鳩尾導軌 Lap Former Guide Plate-----	1
9	2400010691	鳩尾導軌 Lap Former Guide Plate-----	1
10	8SN64400600A	螺絲 Screw (NT67-08-43 1/4"-40*6)-----	1
11	240010008	刀片夾 Upper Holder-----	1
12	2400100097	刀片 Upper Knife-----	1
13	240010021	刀柄 Knife-----	1
14	8SG24560400A	螺絲 Screw (NT67-08-16 3/32"-56*4)-----	1
15	8SB24560302M	螺絲 Screw (NT67-08-15 3/32"-56*3)-----	1
16	2400100101	壓板 Knife-----	1
17	8SB24561304B	螺絲 Screw (NT67-08-14 3/32"-56*13)-----	2
18	240010033	刀片護套 Upper Knife Cap-----	1
19	5240FG0041	疊縫導模 Lap Former -----	1
20	240010022	導模座 Lap Former Slide Block-----	1
21	240010023	簧片 Lap Former Slide Block Spring-----	1
22	8SF24560304B	螺絲 Screw (NT67-07-27 3/32"-56*3)-----	1
23	8SB24560404B	螺絲 Screw (NT67-08-44 3/32"-56*4)-----	1
24	8SB24560405B	螺絲 Screw (NT67-08-39 3/32"-56*4)-----	1
25	240A0100097	窄刀刀片組 Upper Knife Set-----	1
26	5240AFG001	疊縫導模組 Lap Former Set -----	1
27	240010041	羊毛氈 Oil Wick -----	1

D4. NTD6712-S5/ S6專用零件 Exclusive Parts



NTD6712-S5 機型用

序號 Ref No.	名稱 Description	編號 Parts No.
1	壓腳組 Presser Foot Asm.	5242PF02
2	針板組 Stitch Plate Asm.	5240TP001
3	針留 Needle	5240NC0013

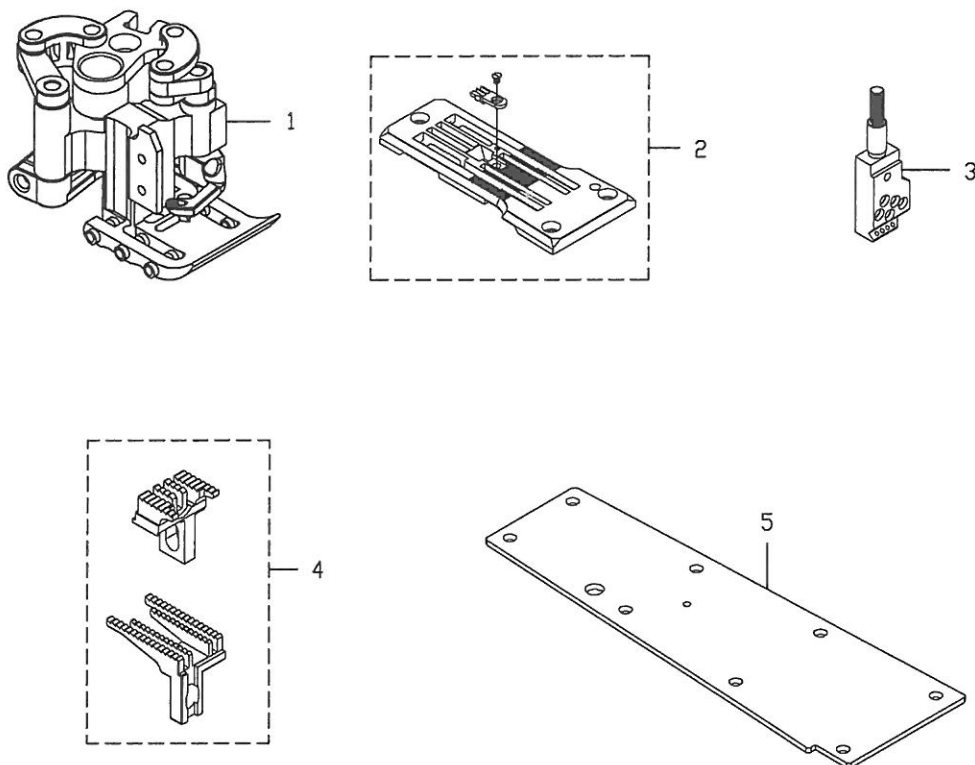
NTD6712-S6 機型用

序號 Ref No.	名稱 Description	編號 Parts No.
1	壓腳組 Presser Foot Asm.	5242PF03
2	針板組 Stitch Plate Asm.	5240TP002
3	針留 Needle	5240NC0023

D4. NTD6712-S5/S6 專用零件 Exclusive Parts

序號	物料編號	名稱	單位用量
Ref.No.	Parts No.	Description	Amt. Req.
1	-----	壓腳組 Presser Foot Asm.-----	1
2	-----	針板組 Stitch Plate Asm.-----	1
3	-----	針留 Needle Clamp-----	1
4	5240PF0114	簧片輔助壓腳底 Presser Foot Spring Plate-----	1
5	5240PF0135	簧片輔助壓腳底 Presser Foot Spring Plate-----	1
6	5240DG01	送布齒組 Feed Dog Asm.-----	1
7	2400010531	送齒台架封蓋 Sewing Cylinder Cover-----	1
8	2400010681	鳩尾導軌 Lap Former Guide Plate-----	1
9	2400010691	鳩尾導軌 Lap Former Guide Plate-----	1
10	8SN64400600A	螺絲 Screw (NT67-08-43 1/4"-40*6)-----	1
11	240010030	刀片夾 Upper Holder-----	1
12	2400100277	刀片 Upper Knife-----	1
13	240010029	刀柄 Knife-----	1
14	8SG24560400A	螺絲 Screw (NT67-08-16 3/32"-56*4)-----	1
15	240010041	羊毛氈 Oil Wick -----	1
16	2400100281	壓板 Knife-----	1
17	8SB24561404B	螺絲 Screw (NT67-08-14 3/32"-56*13)-----	2
18	240010034	刀片護套 Upper Knife Cap-----	1
19	5240FG001	疊縫導模 Lap Former -----	1
20	240010022	導模座 Lap Former Slide Block-----	1
21	240010023	簧片 Lap Former Slide Block Spring-----	1
22	8SF24560304B	螺絲 Screw (NT67-07-27 3/32"-56*3)-----	1
23	8SB24560404B	螺絲 Screw (NT67-08-44 3/32"-56*4)-----	1
24	8SB24560405B	螺絲 Screw (NT67-08-39 3/32"-56*4)-----	1
25	5240AFG001	疊縫導模組 Lap Former Set -----	1
26	240A0100277	刀片組 Upper Knife Set -----	1
27	5240PF0142	簧片補助壓腳底 Presser Foot Spring Plate (0.5t)-----	1
28	5240PF0144	簧片補助壓腳底 Presser Foot Spring Plate (0.4t)-----	1
29	5240PF0143	簧片補助壓腳底 Presser Foot Spring Plate (0.5t)-----	1
30	5240PF0145	簧片補助壓腳底 Presser Foot Spring Plate (0.4t)-----	1

E1. NTD6730-M6 專用零件 Exclusive Parts



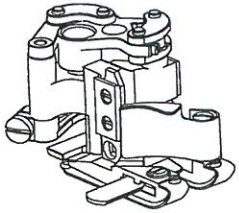
E1. NTD6730-M6專用零件 Exclusive Parts

序號	物料編號	名稱	單位用量
Ref.No.	Parts No.	Description	Amt. Req.
1	5242PF01	壓腳組 Presser Foot Set-----	1
2	5240TP004	針板組 Stitch Plate Set -----	1
3	5240NC0023	針留 Needle Clamp-----	1
4	5240DG02	送布齒組 Feed Dog Asm.-----	1
5	2400010811	送齒台架封蓋 Sewing Cylinder Cover-----	1

A1. NTD6701-M 系列

壓腳組件(零件)一覽表

NTD6701-M5/M6(單切)



表A1-1

機型	壓腳組件編號
NTD6701-M5	5240PF02
NTD6701-M6	5240PF04

表A1-2

機型	零件編號
NTD6701-M5	5240PF0229
NTD6701-M6	5240PF0230

表A1-3

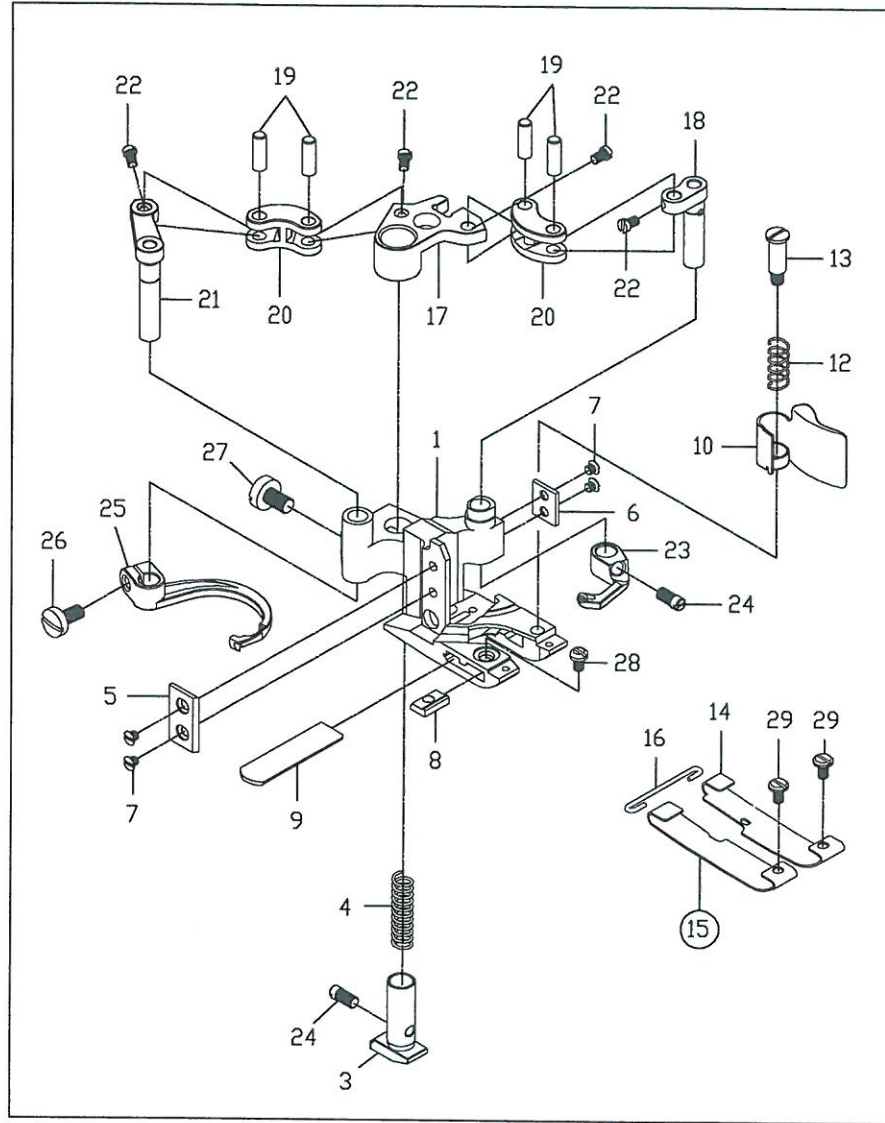
機型	零件編號
NTD6701-M5	5240PF0118
NTD6701-M6	5240PF01182

表A1-4

機型	零件編號
NTD6701-M5	5240PF01211
NTD6701-M6	5240PF01212

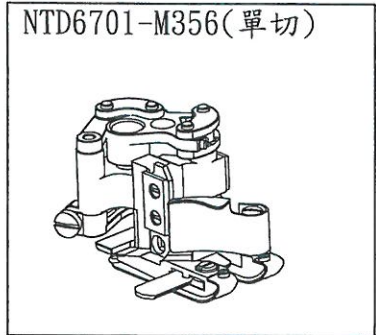
表A1-5

機型	零件編號
NTD6701-M5	5240SL0011
NTD6701-M6	5240SL0041



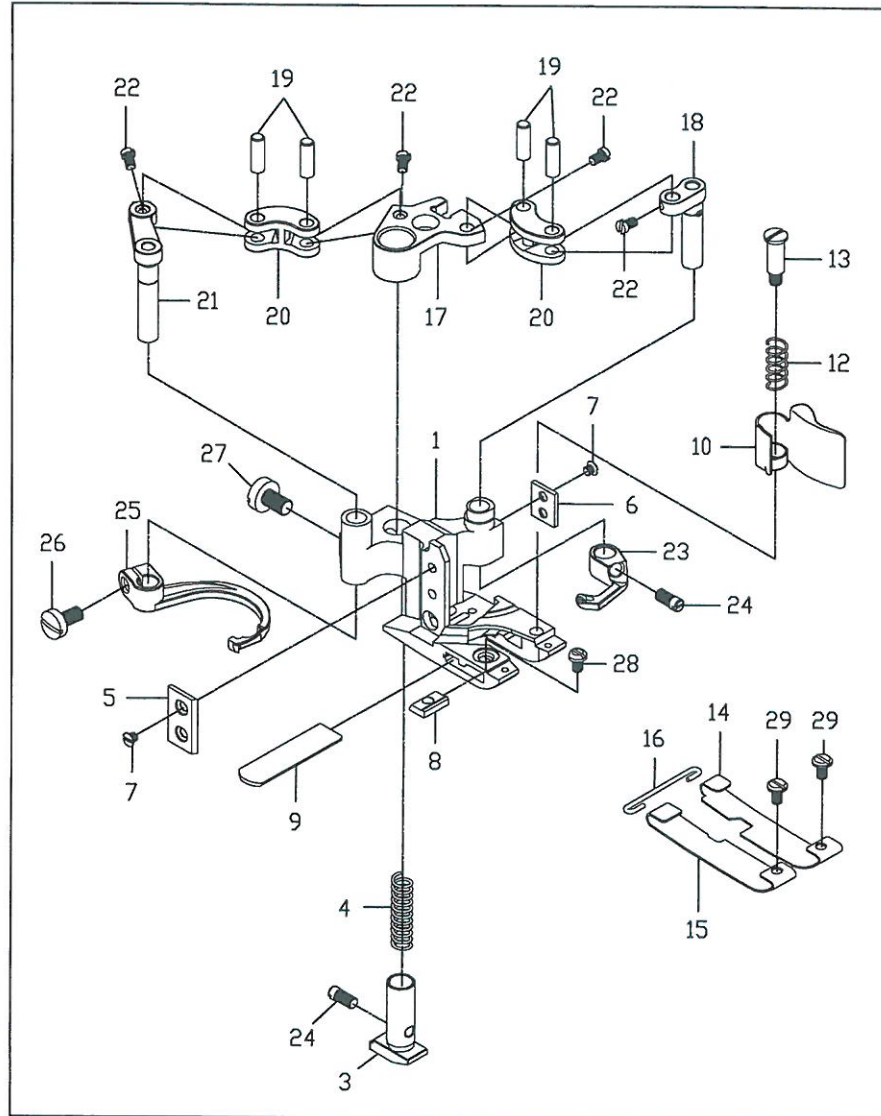
序號	零件編號	名稱	數量
1	5240PF0401	壓腳底	1
3	5240PF02032	後壓腳	1
4	5240PF01041	壓縮彈簧	1
5	5240PF0105	壓腳定向墊片(左)	1
6	5240PF0106	壓腳定向墊片(右)	1
7	8SF24560402C	螺絲	4
8	5240PF01082	楔片	1
9	5240PF01097	固定刀片	1
10	5240PF01104	導布屑	1
12	5240PF01122	壓縮彈簧	1
13	8SB32400704A	螺絲	1
14	參照表A1-2	簧片輔助壓腳底(右)	1
15	5240PF0231	簧片輔助壓腳底(左)	1
16	5240PF0116	簧片鎖鉤	1
17	5240PF01172	驅動叉	1
18	參照表A1-3	傳動連桿	1
19	5240PF0119	連桿銷	4
20	5240PF01201	連桿	2
21	參照表A1-4	傳動連桿	1
22	8SB24560404B	螺絲	4
23	參照表A1-5	上飾縫結鉤	1
24	8SB32440503A	螺絲	2
25	5240SL0021	下結線鉤	1
26	8SC36400707A	螺絲	1
27	8SC44400708A	螺絲	1
28	8SC32440406B	螺絲	1
29	8SB24560203A	螺絲	2

A2. NTD6701-M356 系列 壓腳組件(零件)一覽表



表A2-1

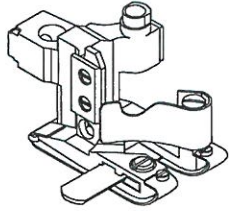
機型	壓腳組件編號
NTD6701-M356	5240PF04



序號	零件編號	名稱	數量
1	5240PF0401	壓腳底	1
3	5240PF02032	後壓腳	1
4	5240PF01041	壓縮彈簧	1
5	5240PF0105	壓腳定向墊片(左)	1
6	5240PF0106	壓腳定向墊片(右)	1
7	8SF24560402C	螺絲	4
8	5240PF01082	楔片	1
9	5240PF01097	固定刀片	1
10	5240PF01104	導布屑	1
12	5240PF01122	壓縮彈簧	1
13	8SB32400704A	螺絲	1
14	5240PF0230	簧片輔助壓腳底(右)	1
15	5240PF0231	簧片輔助壓腳底(左)	1
16	5240PF0116	簧片鎖鉤	1
17	5240PF01172	驅動叉	1
18	5240PF01182	傳動連桿	1
19	5240PF0119	連桿梢	4
20	5240PF01201	連桿	2
21	5240PF01212	傳動連桿	1
22	8SB24560404B	螺絲	4
23	5240SL0041	上飾縫結勾	1
24	8SB32440503A	螺絲	2
25	5240SL0021	上飾縫結線勾	1
26	8SC36400707A	螺絲	1
27	8SC44400708A	螺絲	1
28	8SC32440406B	螺絲	1
29	8SB24560203A	螺絲	2

B1. NTD6703-M 系列 壓腳組件(零件)一覽表

NTD6703-M5/M6(單切)

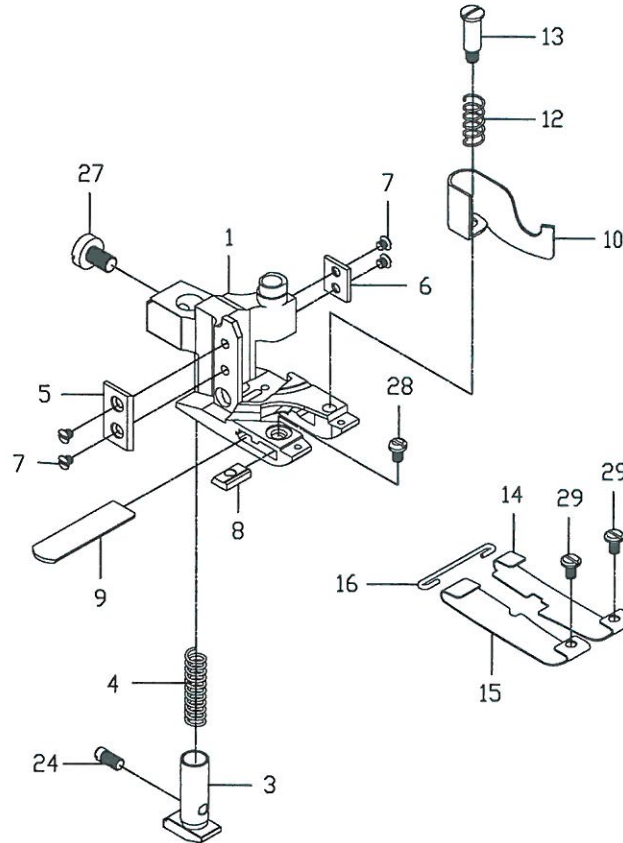


表B1-1

機型	壓腳組件編號
NTD6703-M5	5240PF05
NTD6703-M6	5240PF13

表B1-2

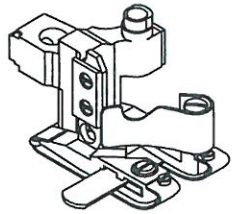
機型	零件編號
NTD6703-M5	5240PF05011
NTD6703-M6	5240PF1301



序號	零件編號	名稱	數量
1	參照表B1-2	壓腳底	1
3	5240PF02032	後壓腳	1
4	5240PF1204	壓縮彈簧	1
5	5240PF0105	壓腳定向墊片(左)	1
6	5240PF0106	壓腳定向墊片(右)	1
7	8SF24560402C	螺絲	4
8	5240PF01082	楔片	1
9	5240PF01097	固定刀片	1
10	5240PF0510	導布屑	1
12	5240PF01121	壓縮彈簧	1
13	8SB32400604G	螺絲	1
14	5240PF0514	簧片輔助壓腳底(右)	1
15	5240PF0515	簧片輔助壓腳底(左)	1
16	5240PF0116	簧片鎖鉤	1
24	8SB32440503A	螺絲	1
27	8SC44400708A	螺絲	1
28	8SC32440406B	螺絲	1
29	8SB24560203A	螺絲	2

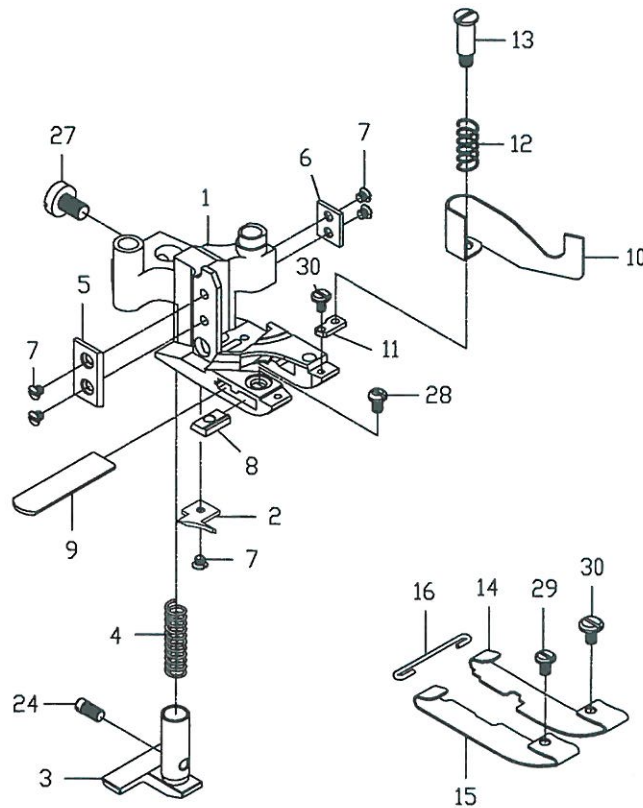
B2. NTD6703A-H 系列 壓腳組件(零件)一覽表

NTD6703A-H5(雙切)



表B2-1

機型	壓腳組件編號
NTD6703A-H5	5240PF06

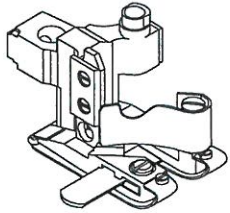


序號	零件編號	名稱	數量
1	5240PF2301	壓腳底	1
2	5240PF0602	壓腳底導模	1
3	5240PF01033	後壓腳	1
4	5240PF1204	壓縮彈簧	1
5	5240PF0105	壓腳定向墊片(左)	1
6	5240PF0106	壓腳定向墊片(右)	1
7	8SF24560402C	螺絲	5
8	5240PF01082	楔片	1
9	5240PF07097	固定刀片	1
10	5240PF0610	導布屑	1
11	5240PF0111	承座	1
12	5240PF01121	壓縮彈簧	1
13	8SB32400604G	螺絲	1
14	5240PF0614	簧片輔助壓腳底(右)	1
15	5240PF0615	簧片輔助壓腳底(左)	1
16	5240PF0116	簧片鎖鉤	1
24	8SB32440503A	螺絲	1
27	8SC44400708A	螺絲	1
28	8SC32440406B	螺絲	1
29	8SB24560203A	螺絲	1
30	8SB24560405A	螺絲	2

B3. NTD6703B-H系列

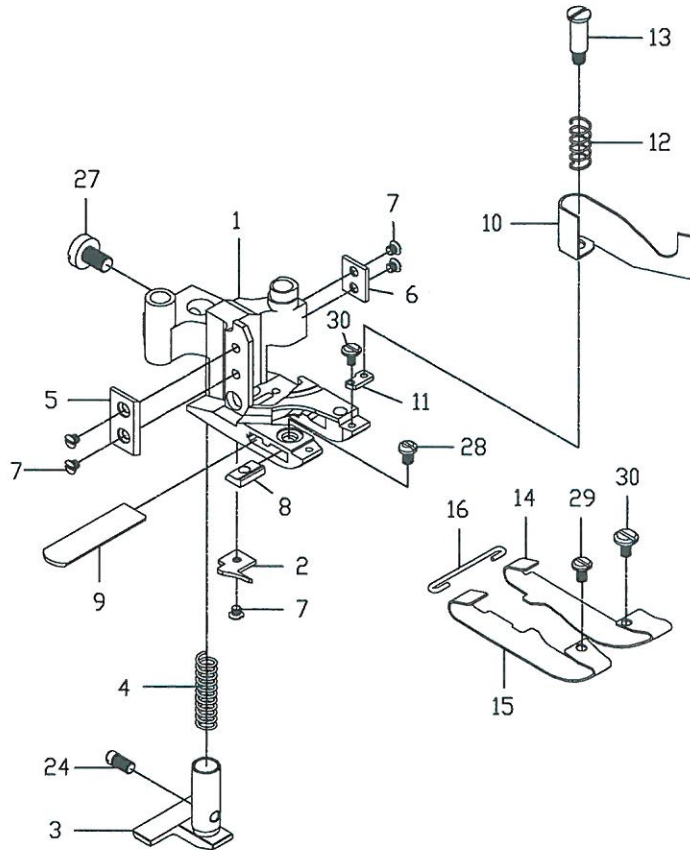
壓腳組件(零件)一覽表

NTD6703B-H5/H6(雙切)



表B3-1

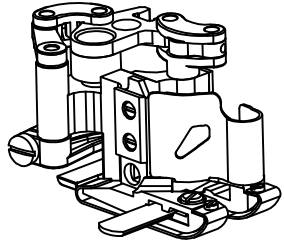
機型	壓腳組件編號
NTD6703B-H5	5240PF23
NTD6703B-H6	



序號	零件編號	名稱	數量
1	5240PF2301	壓腳底	1
2	5240PF1202	壓腳底導模	1
3	5240PF12031	後壓腳	1
4	5240PF1204	壓縮彈簧	1
5	5240PF0105	壓腳定向墊片(左)	1
6	5240PF0106	壓腳定向墊片(右)	1
7	8SF24560402C	螺絲	5
8	5240PF01082	楔片	1
9	5240PF07097	固定刀片	1
10	5240PF1210	導布屑	1
11	5240PF0111	承座	1
12	5240PF01121	壓縮彈簧	1
13	8SB32400604G	螺絲	1
14	5240PF0714	簧片輔助壓腳底(右)	1
15	5240PF1215	簧片輔助壓腳底(左)	1
16	5240PF0116	簧片鎖鉤	1
24	8SB32440503A	螺絲	1
27	8SC44400708A	螺絲	1
28	8SC32440406B	螺絲	1
29	8SB24560203A	螺絲	1
30	8SB24560405A	螺絲	2

B4. NTD6703C-M 系列 壓腳組件(零件)一覽表

NTD6703C-M(雙切)



表B4-1

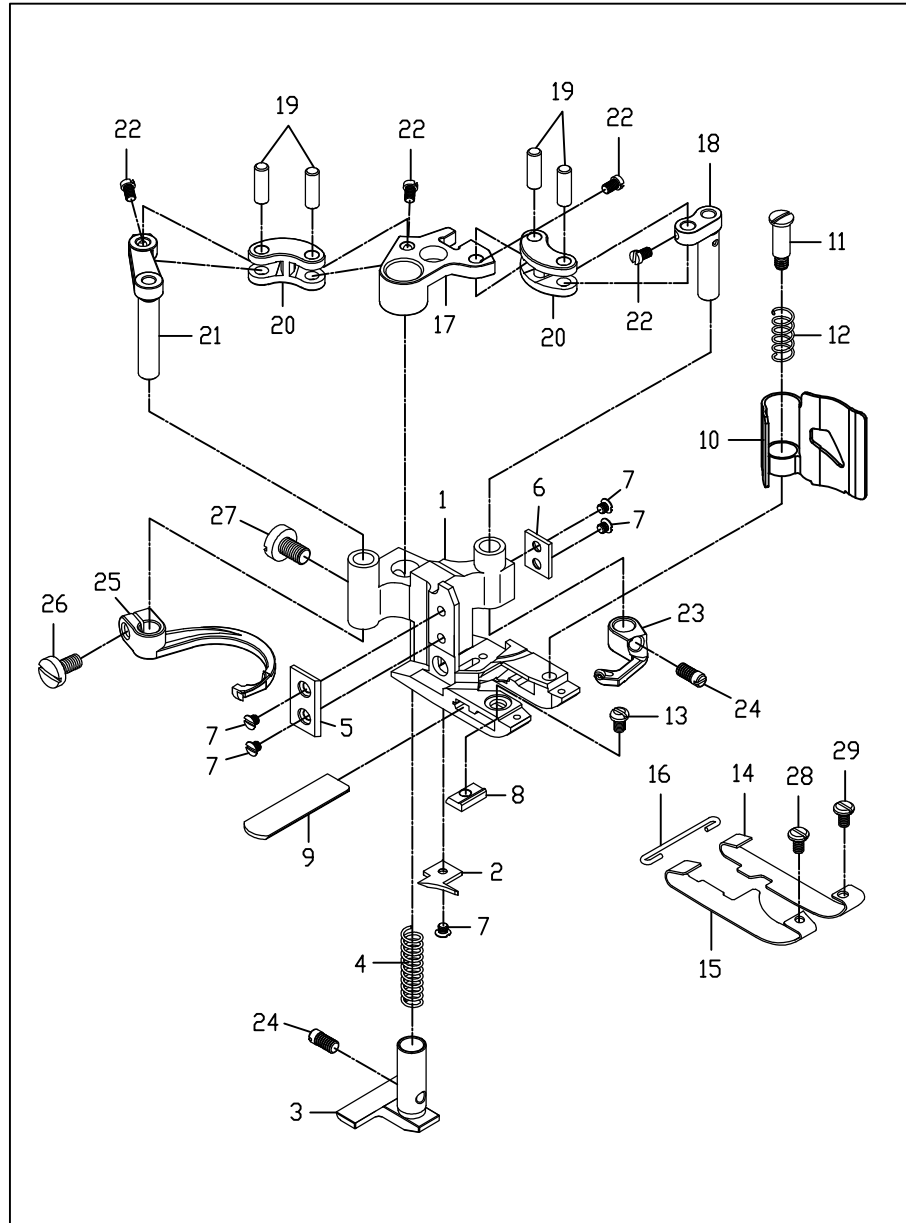
機型	壓腳組件編號
NTD6703C-M5	5240PF31
NTD6703C-M6	5240PF47

表B4-2

機型	壓腳組件編號
NTD6703C-M5	5240PF0118
NTD6703C-M6	5240PF01182

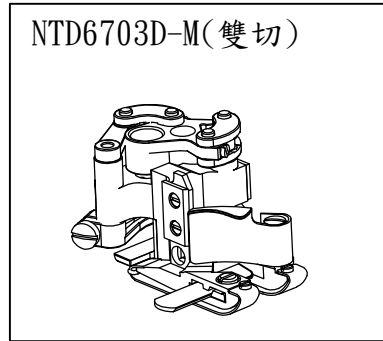
表B4-3

機型	壓腳組件編號
NTD6703C-M5	5240PF01211
NTD6703C-M6	5240PF01212



序號	零件編號	名稱	數量
1	5240PF3101	壓腳底	1
2	5240PF01021	壓腳底導模	1
3	5240PF01033	後壓腳	1
4	5240PF01041	壓縮彈簧	1
5	5240PF0105	壓腳定向墊片(左)	1
6	5240PF0106	壓腳定向墊片(右)	1
7	8SF24560402C	螺絲	5
8	5240PF01082	楔片	1
9	5240PF01097	固定刀片	1
10	5240PF3110	導布屑	1
11	8SB32400704A	螺絲	1
12	5240PF01122	壓縮彈簧	1
13	8SC32440406B	螺絲	1
14	5240PF0114	簧片輔助壓腳底(右)	1
15	5240PF0135	簧片輔助壓腳底(左)	1
16	5240PF0116	簧片鎖鈎	1
17	5240PF01172	驅動叉	1
18	參照表B4-2	傳動連桿	1
19	5240PF0119	連桿梢	4
20	5240PF01201	連桿	2
21	參照表B4-3	傳動連桿	1
22	8SB24560404B	螺絲	4
23	5240SL0011	上飾縫結勾	1
24	8SB32440503A	螺絲	2
25	5240SL0021	上飾縫結線勾	1
26	8SC36400707A	螺絲	1
27	8SC44400708A	螺絲	1
28	8SB24560203A	螺絲	1
29	8SB24560505B	螺絲	1

B5. NTD6703D-M 系列 壓腳組件(零件)一覽表



表B5-1

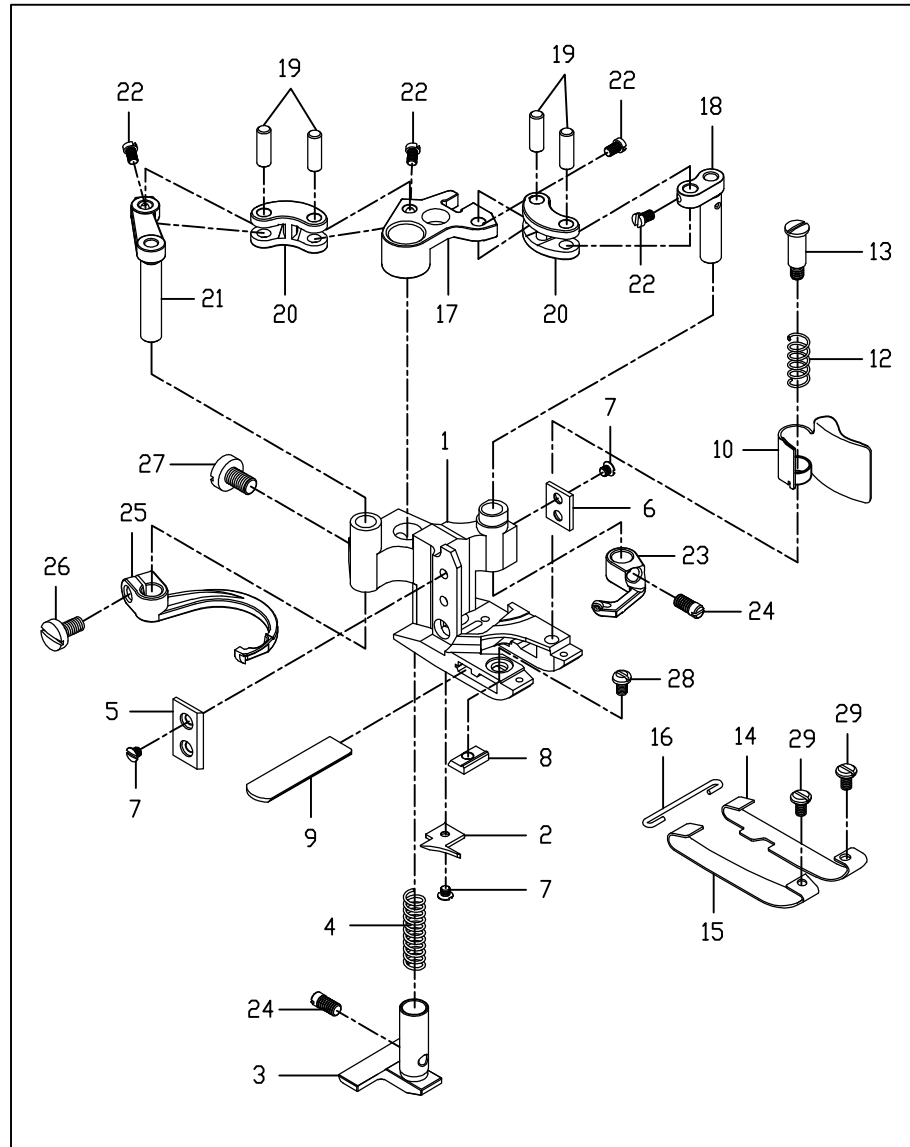
機型	壓腳組件編號
NTD6703D-M5	5240PF 30
NTD6703D-M6	5240PF 45

表B5-2

機型	壓腳組件編號
NTD6703D-M5	5240PF 0118
NTD6703D-M6	5240PF 01182

表B5-3

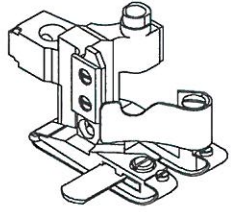
機型	壓腳組件編號
NTD6703D-M5	5240PF 01211
NTD6703D-M6	5240PF 01212



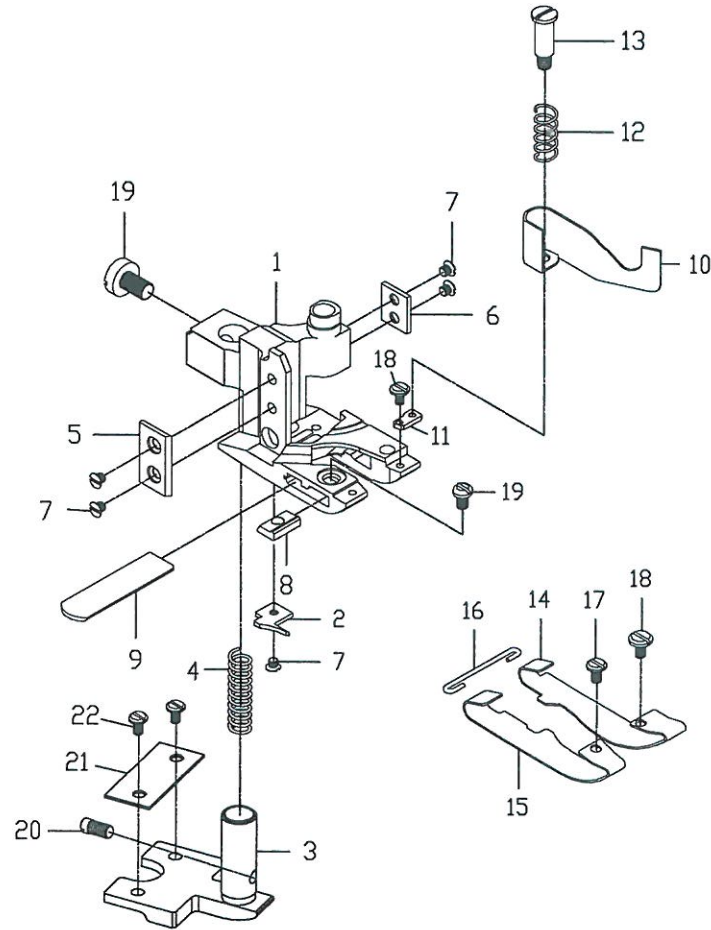
序號	零件編號	名稱	數量
1	5240PF 3001	壓腳底	1
2	5240PF 01021	壓腳底導模	1
3	5240PF 01033	後壓腳	1
4	5240PF 01041	壓縮彈簧	1
5	5240PF 0105	壓腳定向墊片(左)	1
6	5240PF 0106	壓腳定向墊片(右)	1
7	8SF 24560402C	螺絲	5
8	5240PF 01082	楔片	1
9	5240PF 01097	固定刀片	1
10	5240PF 01104	導布屑	1
12	5240PF 01122	壓縮彈簧	1
13	8SB32400704A	螺絲	1
14	5240PF 0114	簧片輔助壓腳底(右)	1
15	5240PF 3015	簧片輔助壓腳底(左)	1
16	5240PF 0116	簧片鎖鉤	1
17	5240PF 01172	驅動叉	1
18	參照表B5-2	傳動連桿	1
19	5240PF 0119	連桿梢	4
20	5240PF 01201	連桿	2
21	參照表B5-3	傳動連桿	1
22	8SB24560404B	螺絲	4
23	5240SL 0011	上飾縫結勾	1
24	8SB32440503A	螺絲	2
25	5240SL 0021	上飾縫結線勾	1
26	8SC36400707A	螺絲	1
27	8SC44400708A	螺絲	1
28	8SC32440406B	螺絲	1
29	8SB24560203A	螺絲	2

B. NTD6703系列-特註品 壓腳組件(零件)一覽表

NTD6703(雙切)



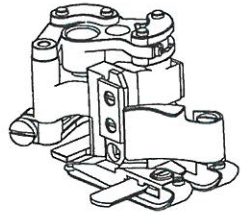
針距	壓腳組件編號
5.2	5240PF051
6.0	



序號	零件編號	名稱	數量
1	5240PF05101	壓腳底	1
2	5240PF1202	壓腳底導模	1
3	5240PF05103	後壓腳	1
4	5240PF1204	壓縮彈簧	1
5	5240PF0105	壓腳定向墊片(左)	1
6	5240PF0106	壓腳定向墊片(右)	1
7	8SF24560402C	螺絲	5
8	5240PF01082	楔片	1
9	5240PF07097	固定刀片	1
10	5240PF1210	導布屑	1
11	5240PF0111	承座	1
12	5240PF01121	壓縮彈簧	1
13	8SB32400604G	螺絲	1
14	5240PF0714	簧片輔助壓腳底(右)	1
15	5240PF1215	簧片輔助壓腳底(左)	1
16	5240PF0116	簧片鎖鉤	1
17	8SB24560203A	螺絲	1
18	8SB24560405A	螺絲	2
19	8SB44400708A	螺絲	1
20	8SB32440503A	螺絲	1
21	5240PF0630	後壓腳壓板	1
22	8MB03200306A	螺絲	2

B. NTD6703B-H系列-特註品 壓腳組件(零件)一覽表

NTD6703B-H5/H6(雙切)



表B-1

機型	零件編號
NTD6703B-H5	5240PF 41
NTD6703B-H6	5240PF 46

表B-2

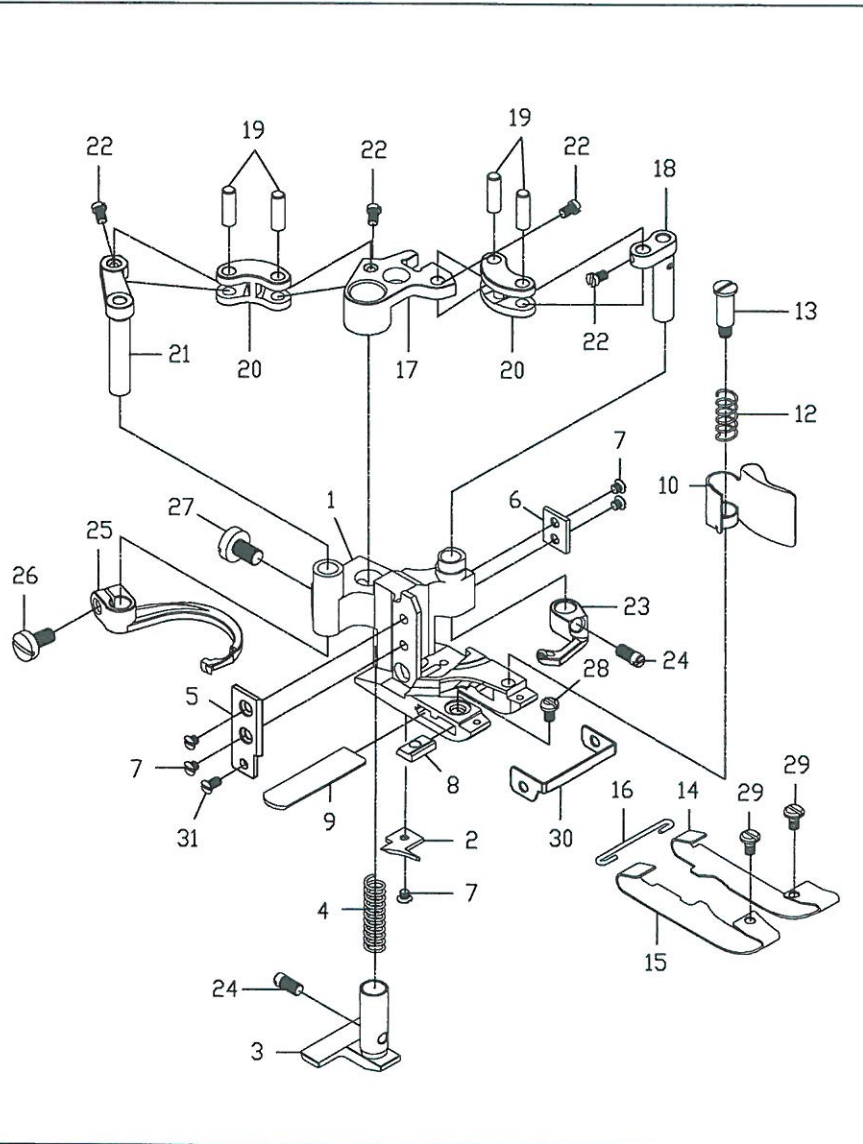
機型	零件編號
NTD6703B-H5	5240PF 0118
NTD6703B-H6	5240PF 01182

表B-3

機型	零件編號
NTD6703B-H5	5240PF 01211
NTD6703B-H6	5240PF 01212

表B-4

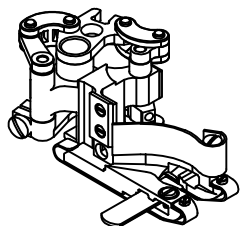
機型	零件編號
NTD6703B-H5	5240SL 0011
NTD6703B-H6	5240SL 0041



序號	零件編號	名稱	數量
1	5240PF 4101	壓腳底	1
2	5240PF 1002	壓腳底導模	1
3	5240PF 12031	後壓腳	1
4	5240PF 01041	壓縮彈簧	1
5	5240PF 4103	壓腳定向墊片(左)	1
6	5240PF 0106	壓腳定向墊片(右)	1
7	8SF 24560402C	螺絲	5
8	5240PF 01082	楔片	1
9	5240PF 0709	固定刀片	1
10	5240PF 01104	導布屑	1
12	5240PF 01122	壓縮彈簧	1
13	8SB 32400704A	螺絲	1
14	5240PF 10141	簧片輔助壓腳底(右)	1
15	5240PF 10151	簧片輔助壓腳底(左)	1
16	5240PF 0116	簧片鎖鉤	1
17	5240PF 01172	驅動叉	1
18	參照表B-2	傳動連桿	1
19	5240PF 0119	連桿銷	4
20	5240PF 01201	連桿	2
21	參照表B-3	傳動連桿	1
22	8SB 24560404B	螺絲	4
23	參照表B-4	上飾縫結鉤	1
24	8SB 32440503A	螺絲	2
25	5240SL 0021	下結線鉤	1
26	8SC 36400707A	螺絲	1
27	8SC 44400708A	螺絲	1
28	8SC 32440406B	螺絲	1
29	8SB 24560203A	螺絲	2
30	5240PF 4102	導模	1
31	8SB 24560405A	螺絲	1

C1. NTD6704-H系列 壓腳組件(零件)一覽表

NTD6704-H5/H6
(雙切長壓腳)



表C1-1

機型	壓腳組件編號
NTD6704-H5	5242PF05
NTD6704-H6	5242PF06

表C1-2

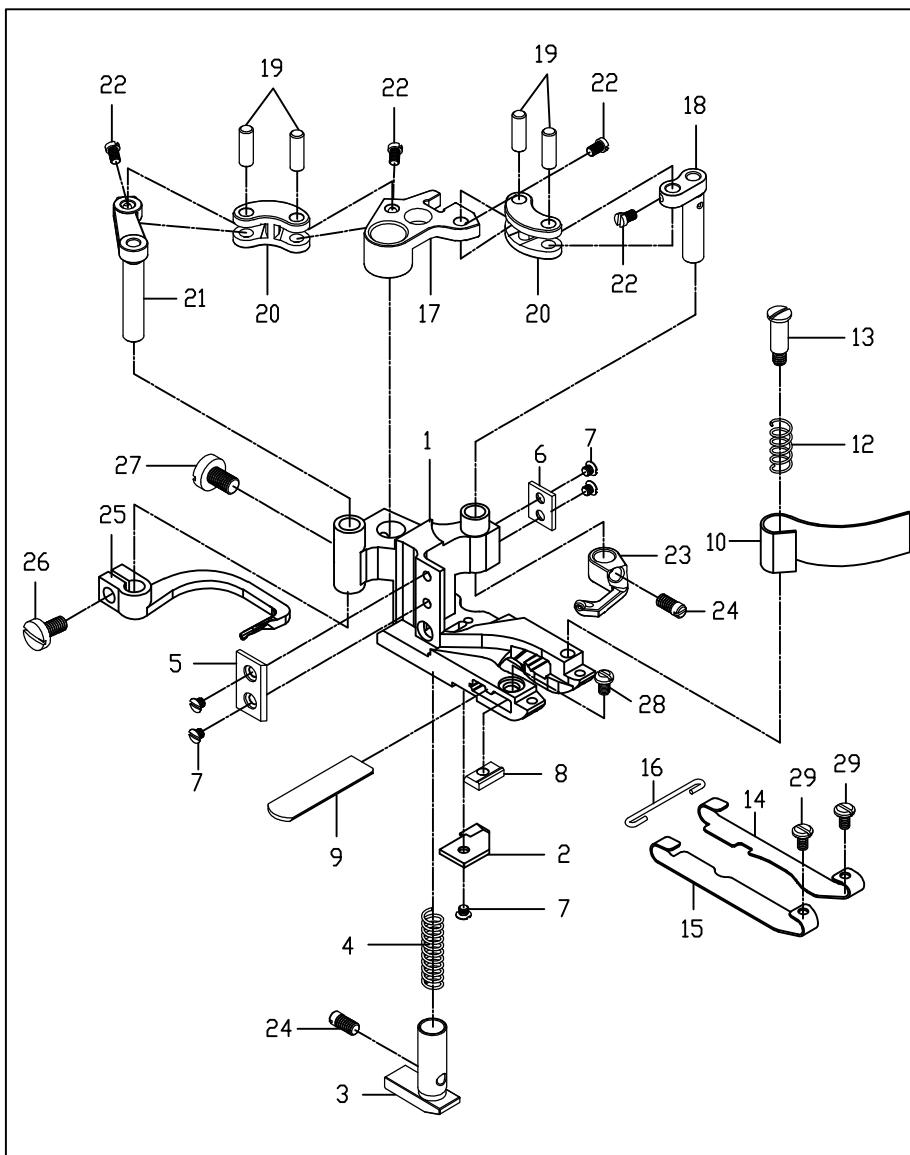
機型	零件編號
NTD6704-H5	5240PF0118
NTD6704-H6	5240PF01182

表C1-3

機型	零件編號
NTD6704-H5	5240PF01211
NTD6704-H6	5240PF01212

表C1-4

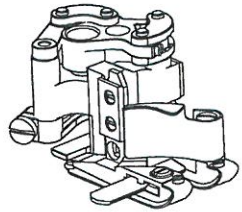
機型	零件編號
NTD6704-H5	5242SL0003
NTD6704-H6	5242SL0002



序號	零件編號	名稱	數量
1	5242PF0401	壓腳底	1
2	5242PF0402	壓腳底導模	1
3	5242PF0403	後壓腳	1
4	5240PF01041	壓縮彈簧	1
5	5240PF0105	壓腳定向墊片(左)	1
6	5240PF0106	壓腳定向墊片(右)	1
7	8SF24560402C	螺絲	5
8	5240PF01082	楔片	1
9	5240PF07097	固定刀片	1
10	5242PF0410	導布屑	1
12	5240PF01122	壓縮彈簧	1
13	8SB32400704A	螺絲	1
14	5242PF0414	簧片輔助壓腳底(右)	1
15	5242PF0415	簧片輔助壓腳底(左)	1
16	5240PF0116	簧片鎖鉤	1
17	5240PF01172	驅動叉	1
18	參照表C1-2	傳動連桿	1
19	5240PF0119	連桿銷	4
20	5240PF01201	連桿	2
21	參照表C1-3	傳動連桿	1
22	8SB24560404B	螺絲	4
23	參照表C1-4	上飾縫結鉤	1
24	8SB32440503A	螺絲	2
25	5242SL0001	下結線鉤	1
26	8SC36400707A	螺絲	1
27	8SC44400708A	螺絲	1
28	8SC32440406B	螺絲	1
29	8SB24560203A	螺絲	2

D1. NTD6712-M 系列 壓腳組件(零件)一覽表

NTD6712-M5/M6(雙切)



表D1-1

機型	壓腳組件編號
NTD6712-M5	5240PF01
NTD6712-M6	5240PF03

表D1-2

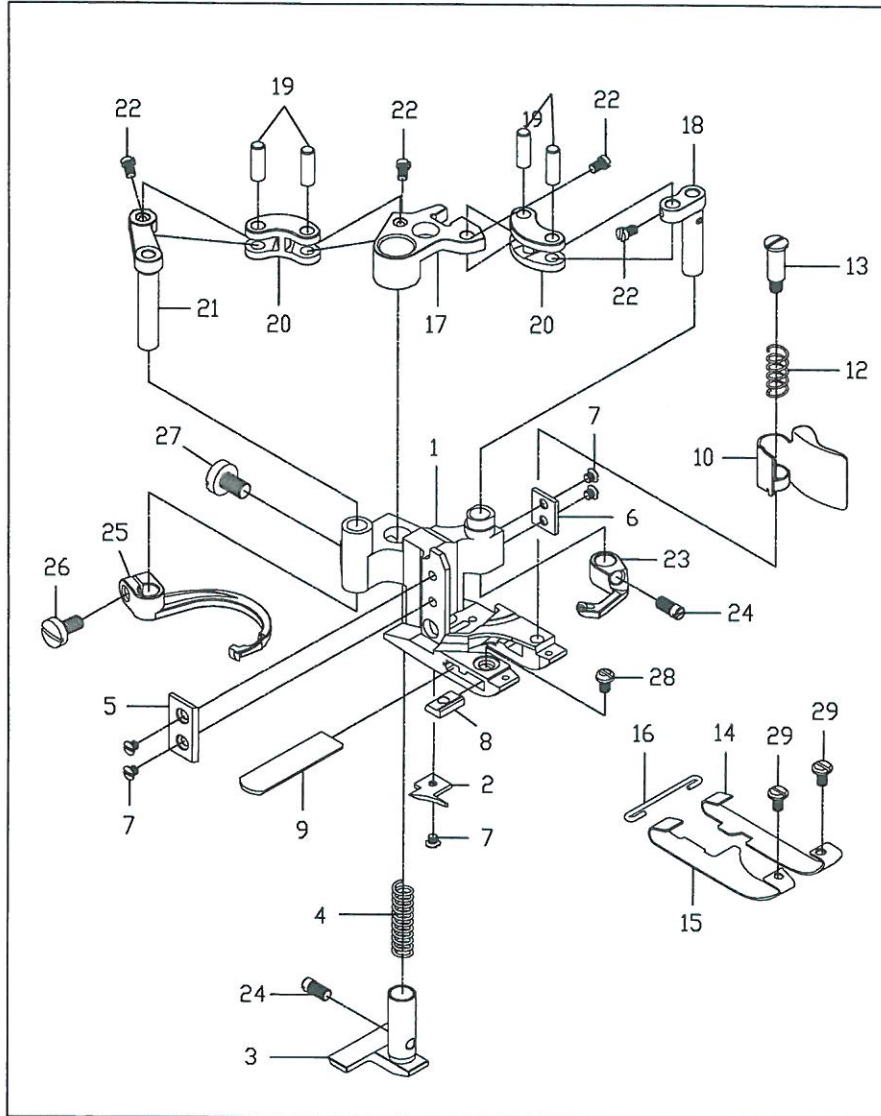
機型	零件編號
NTD6712-M5	5240PF0118
NTD6712-M6	5240PF01182

表D1-3

機型	零件編號
NTD6712-M5	5240PF01211
NTD6712-M6	5240PF01212

表D1-4

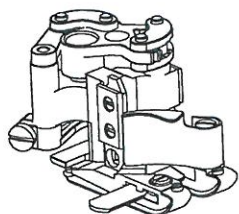
機型	零件編號
NTD6712-M5	5240SL0011
NTD6712-M6	5240SL0041



序號	零件編號	名稱	數量
1	5240PF0301	壓腳底	1
2	5240PF01021	壓腳底導模	1
3	5240PF01033	後壓腳	1
4	5240PF01041	壓縮彈簧	1
5	5240PF0105	壓腳定向墊片(左)	1
6	5240PF0106	壓腳定向墊片(右)	1
7	8SF24560402C	螺絲	5
8	5240PF01082	楔片	1
9	5240PF01097	固定刀片	1
10	5240PF01104	導布屑	1
12	5240PF01122	壓縮彈簧	1
13	8SB32400704A	螺絲	1
14	5240PF0114	簧片輔助壓腳底(右)	1
15	5240PF0135	簧片輔助壓腳底(左)	1
16	5240PF0116	簧片鎖鉤	1
17	5240PF01172	驅動叉	1
18	參照表D1-2	傳動連桿	1
19	5240PF0119	連桿銷	4
20	5240PF01201	連桿	2
21	參照表D1-3	傳動連桿	1
22	8SB24560404B	螺絲	4
23	參照表D1-4	上飾縫結鉤	1
24	8SB32440503A	螺絲	2
25	5240SL0021	下結線鉤	1
26	8SC36400707A	螺絲	1
27	8SC44400708A	螺絲	1
28	8SC32440406B	螺絲	1
29	8SB24560203A	螺絲	2

D2. NTD6712-H 系列 壓腳組件(零件)一覽表

NTD6712-H5/H6(雙切)



表D2-1

機型	壓腳組件編號
NTD6712-H5	5240PF07
NTD6712-H6	5240PF09

表D2-2

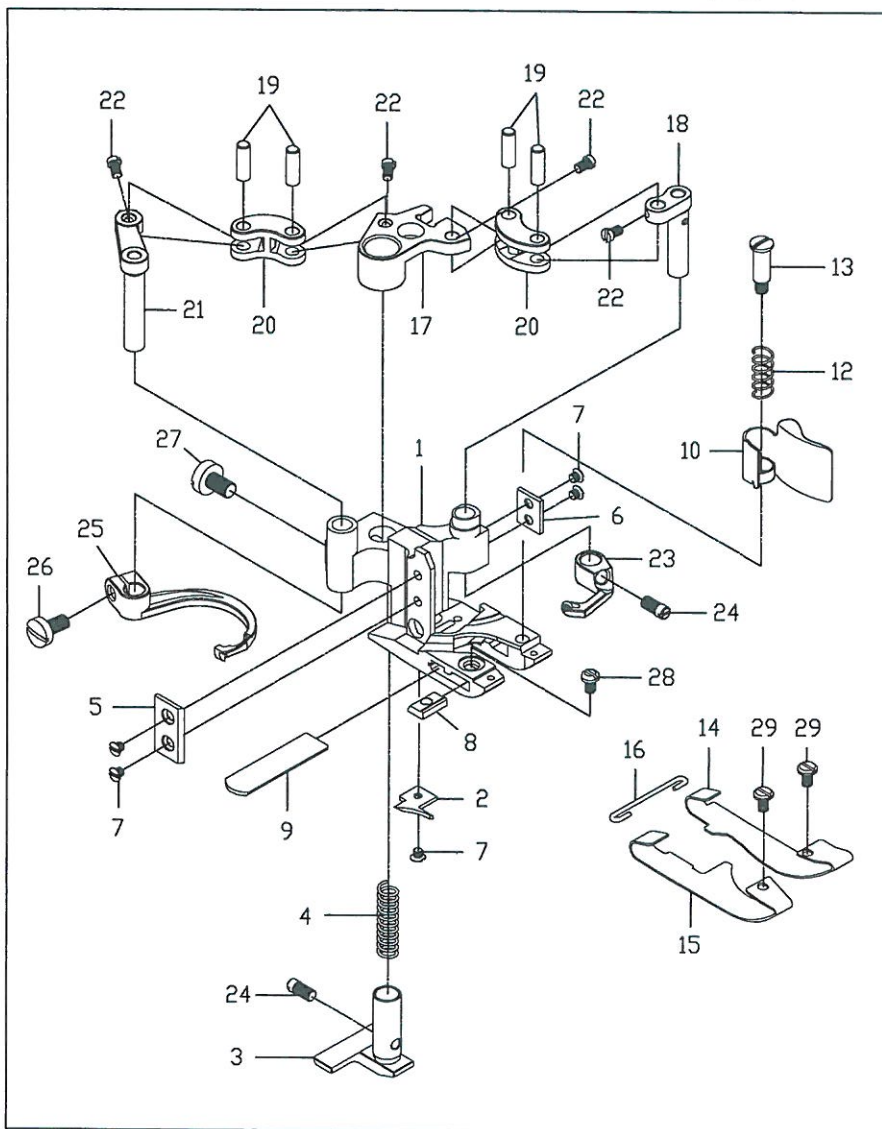
機型	零件編號
NTD6712-H5	5240PF0118
NTD6712-H6	5240PF01182

表D2-3

機型	零件編號
NTD6712-H5	5240PF01211
NTD6712-H6	5240PF01212

表D2-4

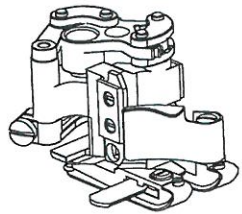
機型	零件編號
NTD6712-H5	5240SL0011
NTD6712-H6	5240SL0041



序號	零件編號	名稱	數量
1	5240PF07011	壓腳底	1
2	5240PF0702	壓腳底導模	1
3	5240PF01033	後壓腳	1
4	5240PF01041	壓縮彈簧	1
5	5240PF0105	壓腳定向墊片(左)	1
6	5240PF0106	壓腳定向墊片(右)	1
7	8SF24560402C	螺絲	5
8	5240PF01082	楔片	1
9	5240PF07097	固定刀片	1
10	5240PF01104	導布屑	1
12	5240PF01122	壓縮彈簧	1
13	8SB32400704A	螺絲	1
14	5240PF0714	簧片輔助壓腳底(右)	1
15	5240PF0715	簧片輔助壓腳底(左)	1
16	5240PF0116	簧片鎖鉤	1
17	5240PF01172	驅動叉	1
18	參照表D2-2	傳動連桿	1
19	5240PF0119	連桿銷	4
20	5240PF01201	連桿	2
21	參照表D2-3	傳動連桿	1
22	8SB24560404B	螺絲	4
23	參照表D2-4	上飾縫結鉤	1
24	8SB32440503A	螺絲	2
25	5240SL0021	下結線鉤	1
26	8SC36400707A	螺絲	1
27	8SC44400708A	螺絲	1
28	8SC32440406B	螺絲	1
29	8SB24560203A	螺絲	2

D2. NTD6712A-H系列 壓腳組件(零件)一覽表

NTD6712A-H5/6(雙切)



表D2-1

機型	壓腳組件編號
NTD6712A-H5	5240PF10
NTD6712A-H6	5240PF18

表D2-2

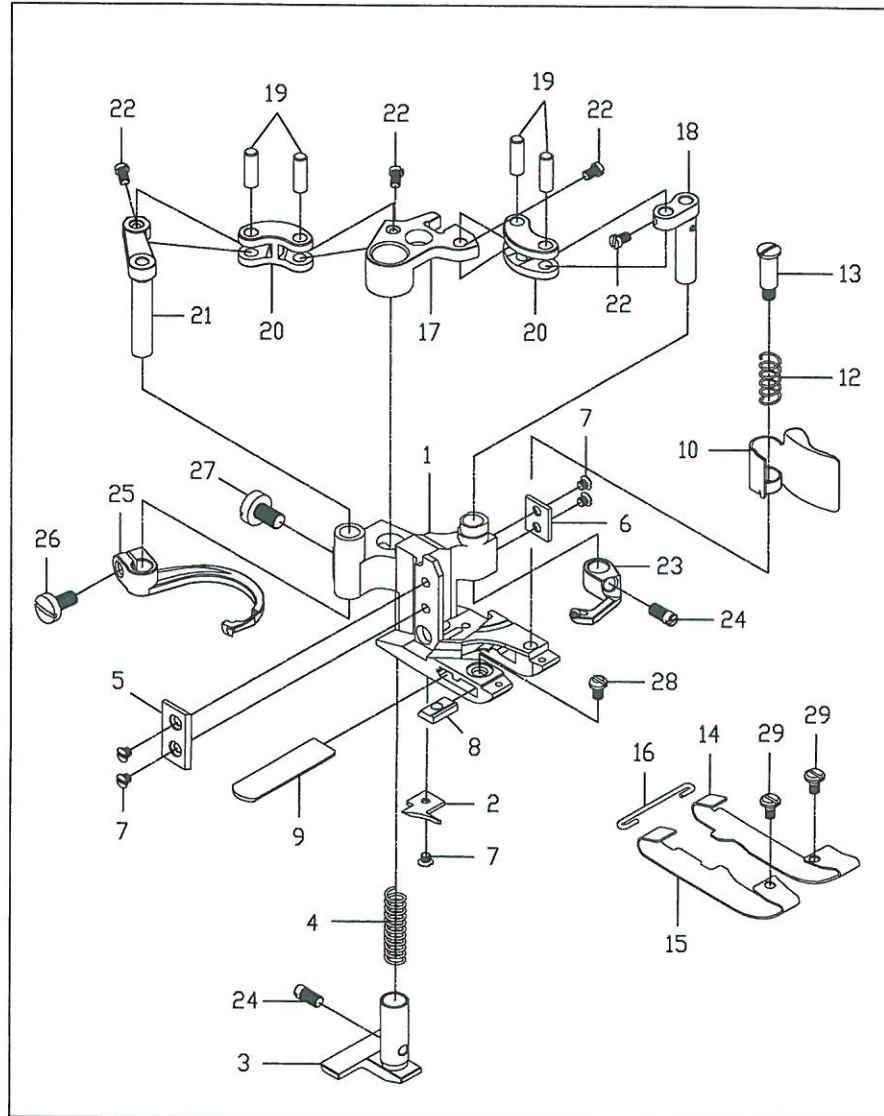
機型	零件編號
NTD6712A-H5	5240PF0118
NTD6712A-H6	5240PF01182

表D2-3

機型	零件編號
NTD6712A-H5	5240PF01211
NTD6712A-H6	5240PF01212

表D2-4

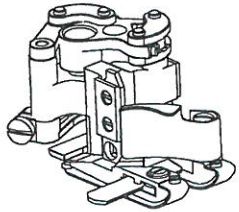
機型	零件編號
NTD6712A-H5	5240SL0011
NTD6712A-H6	5240SL0041



序號	零件編號	名稱	數量
1	5240PF1001	壓腳底	1
2	5240PF1002	壓腳底導模	1
3	5240PF12031	後壓腳	1
4	5240PF01041	壓縮彈簧	1
5	5240PF0105	壓腳定向墊片(左)	1
6	5240PF0106	壓腳定向墊片(右)	1
7	8SF24560402C	螺絲	5
8	5240PF01082	楔片	1
9	5240PF07097	固定刀片	1
10	5240PF01104	導布屑	1
12	5240PF01122	壓縮彈簧	1
13	8SB32400704A	螺絲	1
14	5240PF10141	簧片輔助壓腳底(右)	1
15	5240PF10151	簧片輔助壓腳底(左)	1
16	5240PF0116	簧片鎖鉤	1
17	5240PF01172	驅動叉	1
18	參照表D2-2	傳動連桿	1
19	5240PF0119	連桿銷	4
20	5240PF01201	連桿	2
21	參照表D2-3	傳動連桿	1
22	8SB24560404B	螺絲	4
23	參照表D2-4	上飾縫結鉤	1
24	8SB32440503A	螺絲	2
25	5240SL0021	下結線鉤	1
26	8SC36400707A	螺絲	1
27	8SC44400708A	螺絲	1
28	8SC32440406B	螺絲	1
29	8SB24560203A	螺絲	2

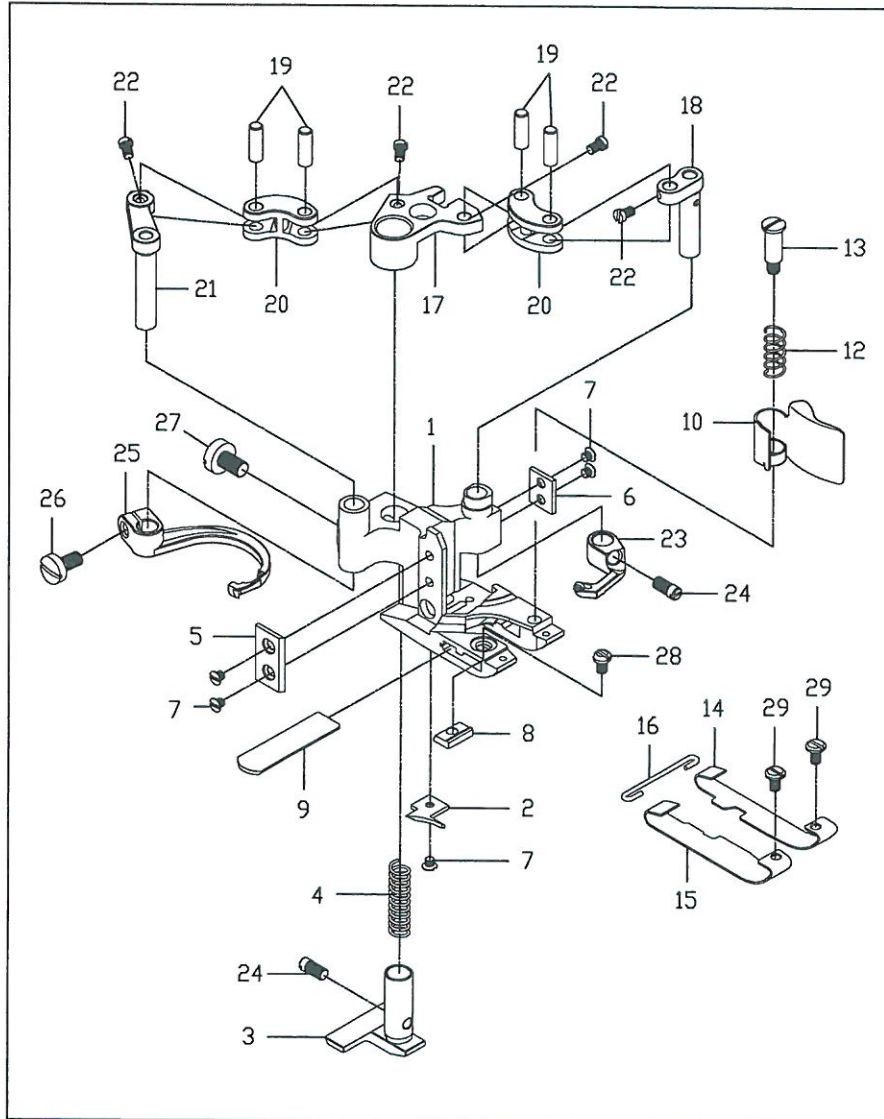
D2. NTD6712E-H系列 壓腳組件(零件)一覽表

NTD6712E-H6(雙切)



表D2-1

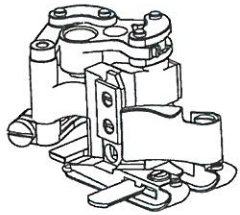
機型	壓腳組件編號
NTD6712E-H6	5240PF26



序號	零件編號	名稱	數量
1	5240PF1001	壓腳底	1
2	5240PF1002	壓腳底導模	1
3	5240PF01033	後壓腳	1
4	5240PF01041	壓縮彈簧	1
5	5240PF0105	壓腳定向墊片(左)	1
6	5240PF0106	壓腳定向墊片(右)	1
7	8SF24560402C	螺絲	5
8	5240PF01082	楔片	1
9	5240PF07097	固定刀片	1
10	5240PF01104	導布屑	1
12	5240PF01122	壓縮彈簧	1
13	8SB32400704A	螺絲	1
14	5240PF0114	簧片輔助壓腳底(右)	1
15	5240PF0115	簧片輔助壓腳底(左)	1
16	5240PF0116	簧片鎖鉤	1
17	5240PF01172	驅動叉	1
18	5240PF01182	傳動連桿	1
19	5240PF0119	連桿銷	4
20	5240PF01201	連桿	2
21	5240PF01212	傳動連桿	1
22	8SB24560404B	螺絲	4
23	5240SL0041	上飾縫結鉤	1
24	8SB32440503A	螺絲	2
25	5240SL0021	下結線鉤	1
26	8SC36400707A	螺絲	1
27	8SC44400708A	螺絲	1
28	8SC32440406B	螺絲	1
29	8SB24560203A	螺絲	2

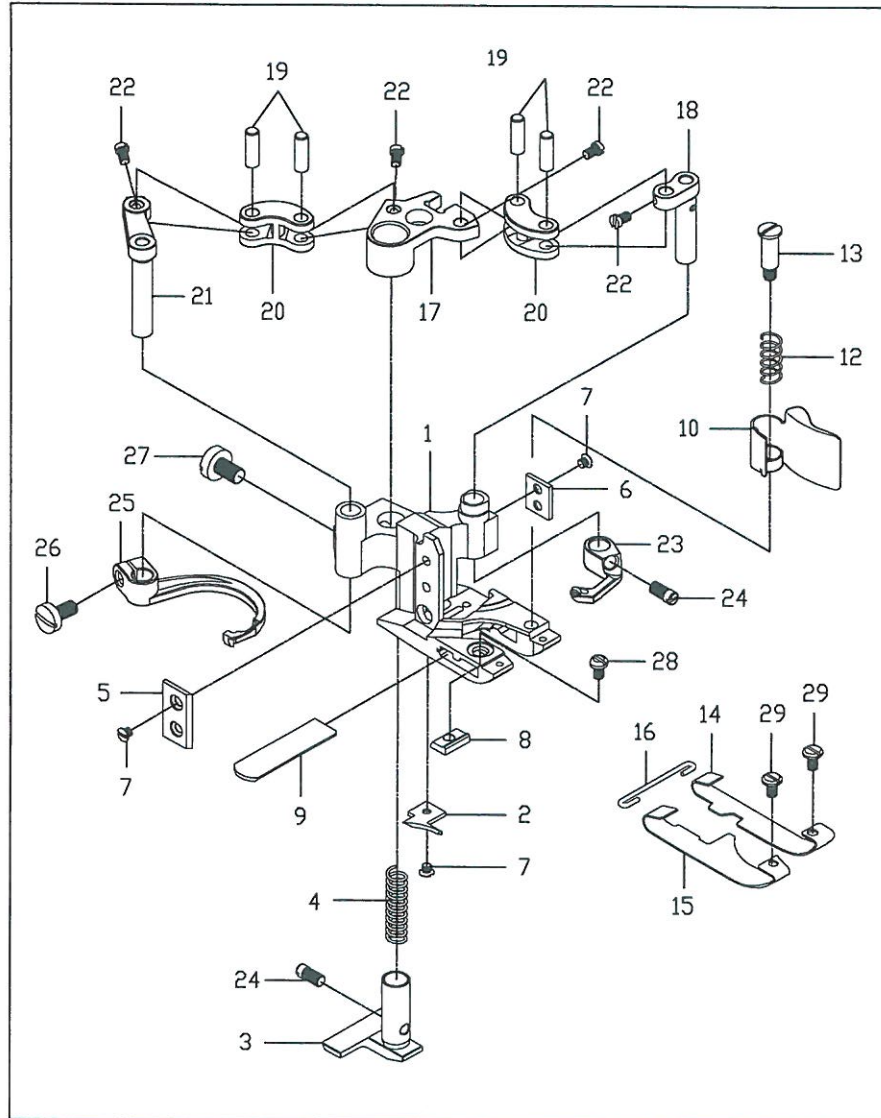
D3. NTD6712F系列 壓腳組件(零件)一覽表

NTD6712F(雙切)



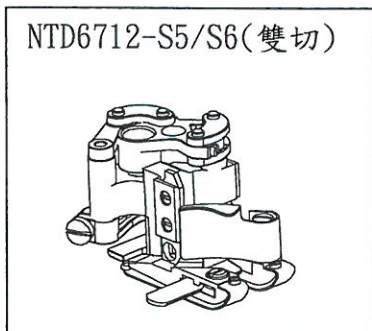
表D3-1

機型	壓腳組件編號
NTD6712F-M5	5240PF27



序號	零件編號	名稱	數量
1	5240PF2701	壓腳底	1
2	5240PF01021	壓腳底導模	1
3	5240PF01033	後壓腳	1
4	5240PF01041	壓縮彈簧	1
5	5240PF0105	壓腳定向墊片(左)	1
6	5240PF0106	壓腳定向墊片(右)	1
7	8SF24560402C	螺絲	5
8	5240PF01082	楔片	1
9	5240PF01097	固定刀片	1
10	5240PF01104	導布屑	1
12	5240PF01122	壓縮彈簧	1
13	8SB32400704A	螺絲	1
14	5240PF2734	簧片輔助壓腳底(右)	1
15	5240PF2735	簧片輔助壓腳底(左)	1
16	5240PF0116	簧片鎖鉤	1
17	5240PF01172	驅動叉	1
18	5240PF0118	傳動連桿	1
19	5240PF0119	連桿銷	4
20	5240PF01201	連桿	2
21	5240PF01211	傳動連桿	1
22	8SB24560404B	螺絲	4
23	5240SL0011	上飾縫結鉤	1
24	8SB32440503A	螺絲	2
25	5240SL0021	下結線鉤	1
26	8SC36400707A	螺絲	1
27	8SC44400708A	螺絲	1
28	8SC32440406B	螺絲	1
29	8SB24560203A	螺絲	2

D4. NTD6712-S 系列 壓腳組件(零件)一覽表



表D4-1

機型	壓腳組件編號
NTD6712-S5	5242PF02
NTD6712-S6	5242PF03

表D4-2

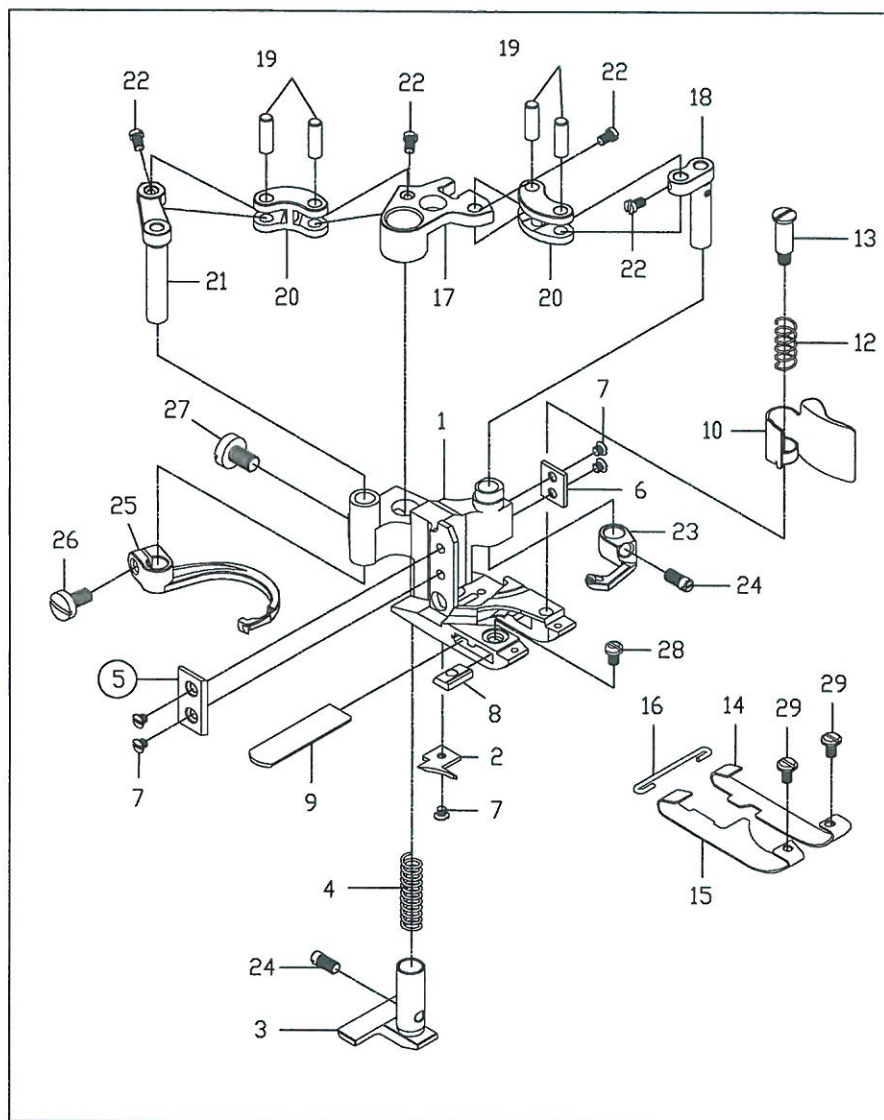
機型	零件編號
NTD6712-S5	5240PF0118
NTD6712-S6	5240PF01182

表D4-3

機型	零件編號
NTD6712-S5	5240PF01211
NTD6712-S6	5240PF01212

表D4-4

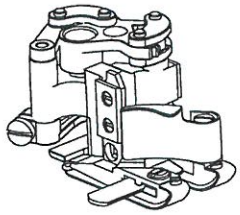
機型	零件編號
NTD6712-S5	5240SL0011
NTD6712-S6	5240SL0041



序號	零件編號	名稱	數量
1	5242PF0201	壓腳底	1
2	5240PF01021	壓腳底導模	1
3	5240PF01033	後壓腳	1
4	5240PF01041	壓縮彈簧	1
5	5240PF0105	壓腳定向墊片(左)	1
6	5240PF0106	壓腳定向墊片(右)	1
7	8SF24560402C	螺絲	5
8	5240PF01082	楔片	1
9	5240PF07097	固定刀片	1
10	5240PF01104	導布屑	1
12	5240PF01122	壓縮彈簧	1
13	8SB32400704A	螺絲	1
14	5240PF0114	簧片輔助壓腳底(右)	1
15	5240PF0135	簧片輔助壓腳底(左)	1
16	5240PF0116	簧片鎖鉤	1
17	5240PF01172	驅動叉	1
18	參照表D4-2	傳動連桿	1
19	5240PF0119	連桿銷	4
20	5240PF01201	連桿	2
21	參照表D4-3	傳動連桿	1
22	8SB24560404B	螺絲	4
23	參照表D4-4	上飾縫結鉤	1
24	8SB32440503A	螺絲	2
25	5240SL0021	下結線鉤	1
26	8SC36400707A	螺絲	1
27	8SC44400708A	螺絲	1
28	8SC32440406B	螺絲	1
29	8SB24560203A	螺絲	2

D. NTD67-12 系列-特註品 壓腳組件(零件)一覽表

5240PF42/5240PF43



表C-1

針距	壓腳組件編號
5.2	5240PF42
6.0	5240PF43

表C-2

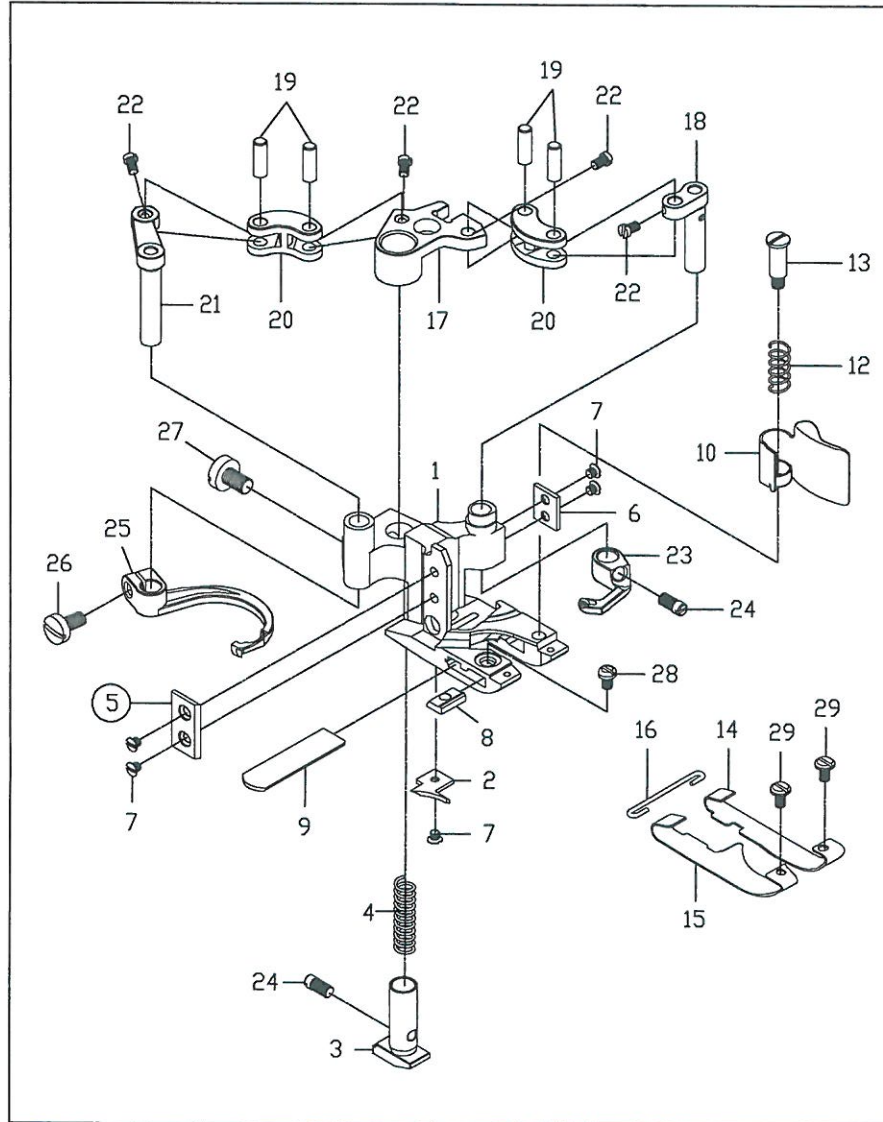
針距	零件編號
5.2	5240PF0118
6.0	5240PF01182

表C-3

針距	零件編號
5.2	5240PF01211
6.0	5240PF01212

表C-4

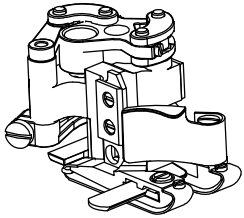
針距	零件編號
5.2	5240SL0011
6.0	5240SL0041



序號	零件編號	名稱	數量
1	5240PF3801	壓腳底	1
2	5240PF01021	壓腳底導模	1
3	5240PF02032	後壓腳	1
4	5240PF01041	壓縮彈簧	1
5	5240PF0105	壓腳定向墊片(左)	1
6	5240PF0106	壓腳定向墊片(右)	1
7	8SF24560402C	螺絲	5
8	5240PF01082	楔片	1
9	5240PF01097	固定刀片	1
10	5240PF01104	導布屑	1
12	5240PF01122	壓縮彈簧	1
13	8SB32400704A	螺絲	1
14	5240PF0142	簧片輔助壓腳底(右)	1
15	5240PF0143	簧片輔助壓腳底(左)	1
16	5240PF0116	簧片鎖鉤	1
17	5240PF01172	驅動叉	1
18	參照表C-2	傳動連桿	1
19	5240PF0119	連桿銷	4
20	5240PF01201	連桿	2
21	參照表C-3	傳動連桿	1
22	8SB24560404B	螺絲	4
23	參照表C-4	上飾縫結鉤	1
24	8SB32440503A	螺絲	2
25	5240SL002	下結線鉤	1
26	8SC36400707A	螺絲	1
27	8SC44400708A	螺絲	1
28	8SC32440406B	螺絲	1
29	8SB24560203A	螺絲	2

D. NTD6712A-H系列-特註品 壓腳組件(零件)一覽表

NTD6712A-H5/H6(雙切)



表D-1

機型	零件編號
NTD6712A-H5	5240PF48
NTD6712A-H6	5240PF49

表D-2

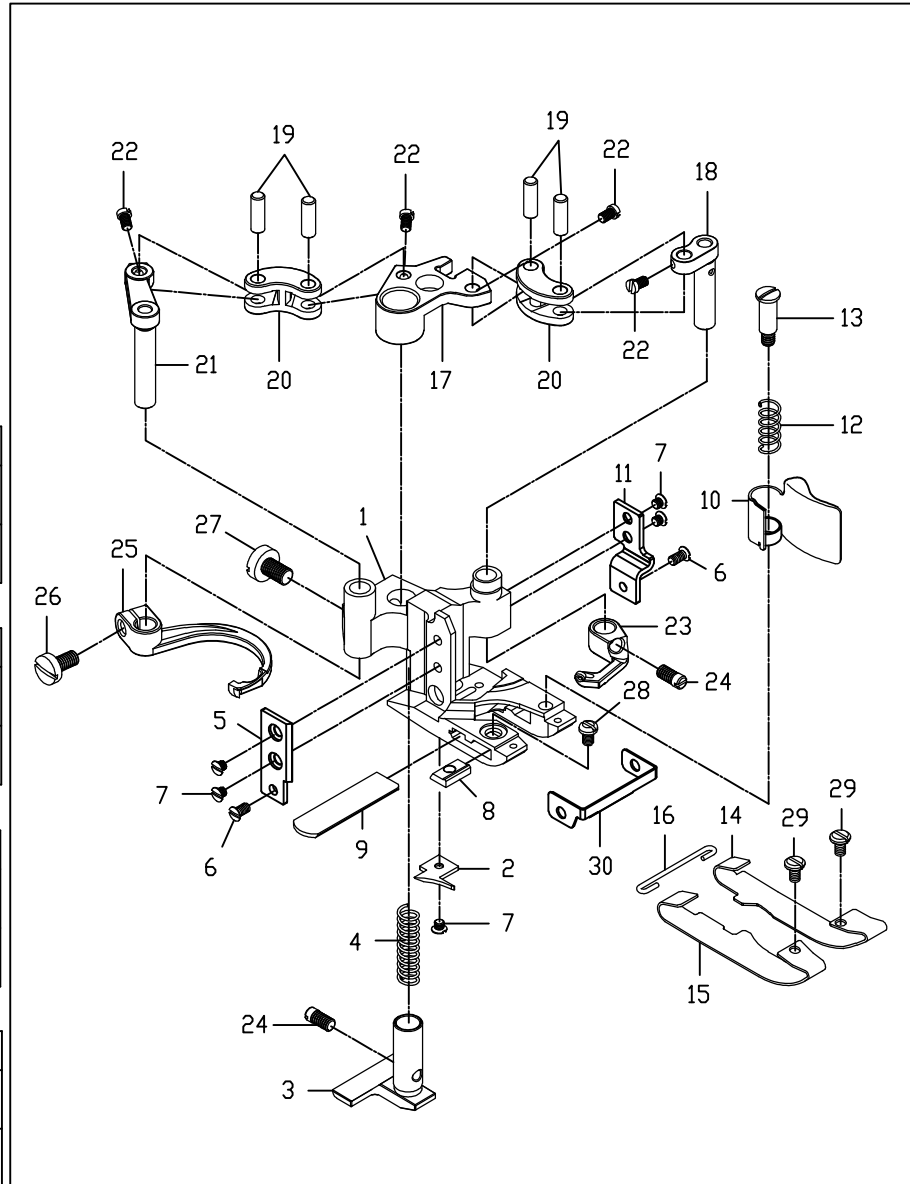
機型	零件編號
NTD6712A-H5	5240PF0118
NTD6712A-H6	5240PF01182

表D-3

機型	零件編號
NTD6712A-H5	5240PF01211
NTD6712A-H6	5240PF01212

表D-4

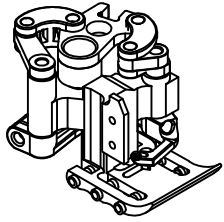
機型	零件編號
NTD6712A-H5	5240SL0011
NTD6712A-H6	5240SL0041



序號	零件編號	名稱	數量
1	5240PF4101	壓腳底	1
2	5240PF1002	壓腳底導模	1
3	5240PF12031	後壓腳	1
4	5240PF01041	壓縮彈簧	1
5	5240PF4103	壓腳定向墊片(左)	1
6	8SB24560405A	螺絲	2
7	8SF24560402C	螺絲	5
8	5240PF01082	楔片	1
9	5240PF0709	固定刀片	1
10	5240PF01104	導布屑	1
11	5240PF4104	壓腳定向墊片(左)	1
12	5240PF01122	壓縮彈簧	1
13	8SB32400704A	螺絲	1
14	5240PF10141	簧片輔助壓腳底(右)	1
15	5240PF10151	簧片輔助壓腳底(左)	1
16	5240PF01116	簧片鎖鉤	1
17	5240PF01172	驅動叉	1
18	參照表D-2	傳動連桿	1
19	5240PF01119	連桿銷	4
20	5240PF01201	連桿	2
21	參照表D-3	傳動連桿	1
22	8SB24560404B	螺絲	4
23	參照表D-4	上飾縫結鉤	1
24	8SB32440503A	螺絲	2
25	5240SL0021	下結線鉤	1
26	8SC36400707A	螺絲	1
27	8SC44400708A	螺絲	1
28	8SC32440406B	螺絲	1
29	8SB24560203A	螺絲	2
30	5240PF4102	導模	1

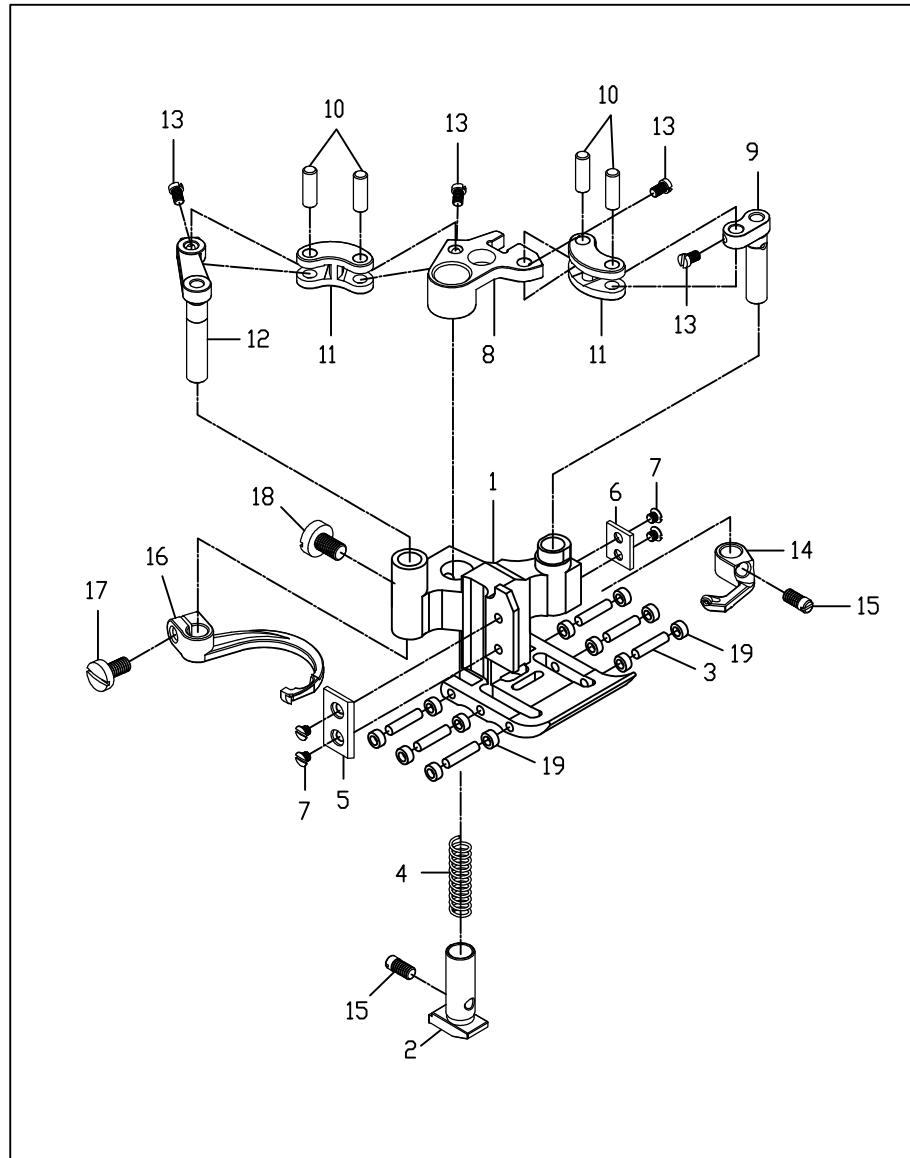
E1. NTD6730-M 系列 壓腳組件(零件)一覽表

NTD6730-M6(單切)



表E1-1

機型	壓腳組件編號
NTD6730-M6	5242PF01



序號	零件編號	名稱	數量
1	5242PF0101	壓腳底	1
2	5240PF02032	後壓腳	1
3	5242PF0103	銷	6
4	5240PF01041	壓縮彈簧	1
5	5240PF0105	壓腳定向墊片(左)	1
6	5240PF0106	壓腳定向墊片(右)	1
7	8SF24560402C	螺絲	4
8	5240PF01172	驅動叉	1
9	5240PF01182	傳動連桿	1
10	5240PF0119	連桿銷	4
11	5240PF01201	連桿	2
12	5240PF01212	傳動連桿	1
13	8SB24560404B	螺絲	4
14	5240SL0041	上飾縫結鉤	1
15	8SB32440503A	螺絲	2
16	5240SL0021	下結線鉤	1
17	8SC36400707A	螺絲	1
18	8SC44400708A	螺絲	1
19	90BB020503	軸承	12



NTD7701
4-Needle, 6-Thread Flat-Seamer,
Feed-Off-The-Arm Machine



MT4512P-050 / PMD / FR01
12-Needle Double Chain Stitch Machine
(Lower Feed Metering Device \ Elastic hemmer)



UHU9304/TR025
Automatic chain cutter device direct-drive
cylinder bed top feed overlock fitted with
labor-saving rib folder



CXM2085-0-356M
Attaching Pre-Closed Flat Knit Elastic Band Onto
Waists Of Tubular Goods
(With Right Knife, Rear Puller & Chips Suction Pipe)



精機機械廠股份有限公司
CHING CHI MACHINE CO., LTD
<http://www.kingtensexing.com.tw>

The specifications and / or appearances of the equipments described in
this catalogue are subject to change without further notice.

本目錄所述產品，因更新或改良，可能不經事前預告，而對產品之外觀，規格，內容進行修改，特此聲明敬請鑒諒。