

NTD SERIES

寶獅牌工業用縫紉機 INDUSTRIAL SEWING MACHINE

**MODEL
NTD67**



**4-NEEDLE, 6-THREAD
FLAT-SEAMER,
FEED-OFF-THE-ARM MACHINE**

User Manual



精機機械廠股份有限公司 CHING CHI MACHINE CO., LTD
<http://www.kingtexsewing.com.tw>

Ver 1.0 2024.04
NO.NTD62MD-01-24-04

目錄

1. 基本規格 Specification	2
2. 機型編號 Model numbering and application	2
3. 使用前準備 Installation	
3-1 車板圖 Table cutting diagram	3
3-2 組裝順序 Installation step by step	4
4. 潤滑 Lubrication	
4-1 添加潤滑油 Lubricating	13
4-2 外裝活動件潤滑 Replenishing oil	14
4-3 確認潤滑工作正常 Checking lubricating of oil	14
4-4 添加矽油 Needle sp container	15
4-5 更換/潤滑油 Changing oil	15
5. 縫針 Proper operation	
5-1 縫針系統 Needle system	16
5-2 縫針安裝 Needle change	16
5-3 穿線 Threading	17
5-4 縫線張力控制 Thread tension	18
6. 壓腳 Presser foot	
6-1 壓腳壓力 Pressure of presser foot	18
6-2-1 壓腳高低位置設定 Up-and-down position of presser foot	18
6-2-2 設定方式	19
7. 調整送布齒差動比 Adjusting differential feed dog	19
8. 調整縫目節距 Adjusting stitch length	20
9. 調整上裁片的疊縫寬度 Adjusting lapped width of upper layer of fabric	
9-1 設定固定刀片的標準位置	21
9-2 調整上裁片的疊縫寬度	21
10. 設定裁片疊向導模 Use of lap former	
10-1 標準設定位置	22
11. 使用時各項調整 Adjustments	
11-1 針線張力調整梢 Needle thread tension	
11-1-1 標準設定位置 Standard set position	22
11-1-2 變更調整梢的高低位置，可調整針線線環的大小	22
By changing the High / Low position of strike off pin, can changing the size of needle thread loops.	
11-2 針線導線梢 Needle thread eyelet	
11-2-1 標準設定值 Standard setting	23
11-2-2 變更導線梢的高低位置可調整針線的張力	
How to adjust thread tension	23
11-3 線環抑制彈簧 The stitch unlock spring	
11-3-1 調整方法 Presser bar post spring adjustment	24

12. 下結線鈎縫線張力 Adjusting looper thread tension	
12-1 標準設定位置 Position of looper thread take-up guide-----	24
12-2 揚線時序 Timing of looper thread take-up:-----	25
12-3 設定導線孔位置 Position of looper thread take-up eyelet----	25
13. 飾縫結線鈎張力 Top cover thread tension	
13-1 標準設定位置	
13-1-1 導線孔安裝位置 Position of thread take-up eyelet-----	26
13-1-2 揚線時序 Timing of top cover thread take-up-----	26
14. 設定針高 Setting Height of needle-----	27
15. 調整上飾線掛線鈎與撥線器 Adjusting Top cover thread carrier and hook	
15-1 撥線器設定位置 Setting Top cover thread carrier-----	27
15-2 掛線鈎設定位置 Setting top cover thread hook-----	28
16. 下結線鈎 Looper	
16-1 安裝 Installation-----	28
16-2 下結線鈎與針的相互關係 Distance between looper and needle	
16-2-1 結線鈎與針的左右位置 Standard setting position-----	29
16-2-2 結線鈎與針的前後位置	
Front-and-rear position of looper and needle-----	29
17. 前導針器 Needle guard (front)	
17-1 標準設定位置 Standard setting position-----	30
17-2 確認方式 Checking-----	30
18. 後導針器 Needle guard(rear)-----	30
19. 設定送布齒高度 Height of feed dog	
19-1 安裝送布齒 Installation -----	31
19-2 設定送布齒高度標準設定位置	
Setting the standard height of feed dogs-----	31
20. 更換壓腳組 Replacing presser foot	
20-1 請依照以下順序取下壓腳組 Removing-----	32
20-2 更換彈性壓板 Replacing presser foot spring plate-----	33
21. 調整更換修邊刀 Replacing and adjusting knives	
21-1 上下刀之間的迫緊壓力	
Pressure between upper knife and lower knife-----	34
21-2 更換刀片	
21-2-1 更換上刀片 Changing the knives-----	35
21-2-2 更換下刀片 Adjusting knives-----	35
22. LED 燈安裝位置 LED light installation position-----	36

前言

感謝您購買使用 NT 系列縫紉機，為了使縫機發揮最高的使用效率，請參照本說明書所揭載的各項說明及安全注意事項。

本說明書裡的各項解說及相關數值是以 NTD67-12M5 為基準。

其他各系列機型雖然部份零件有所差異，本說明書也能適用。

本說明書內容均屬於本公司所有的智慧財產，非經許可不得轉載、複印。

本說明書內容僅為提供資訊，如有任何變更不做預告，同時所提供的資訊本公司不負任何法律責任。

Thank you very much for purchasing Kingtex brand of NT series machine. this instruction manual describes daily routine Maintenance and safety precautions to keep the machine in the best possible conditions.

Please study this manual very carefully before operating the machine.

安全注意事項

1. 電源線一定要確實的固定，並接好地線。
2. 在做清掃、調整、維修等工作時，一定要切斷電源，同時等到馬達完全停止後，才可進行。
3. 新的縫機在使用後的第一個月或使用後 150 小時內，轉速請勿超過 3000RPM。
4. 請使用正確的潤滑油 VG68/ISO。
5. 請在使用前，各活動關節部位滴少許潤滑油。
6. 請在每次使用後，清理縫機上的線絮布屑。

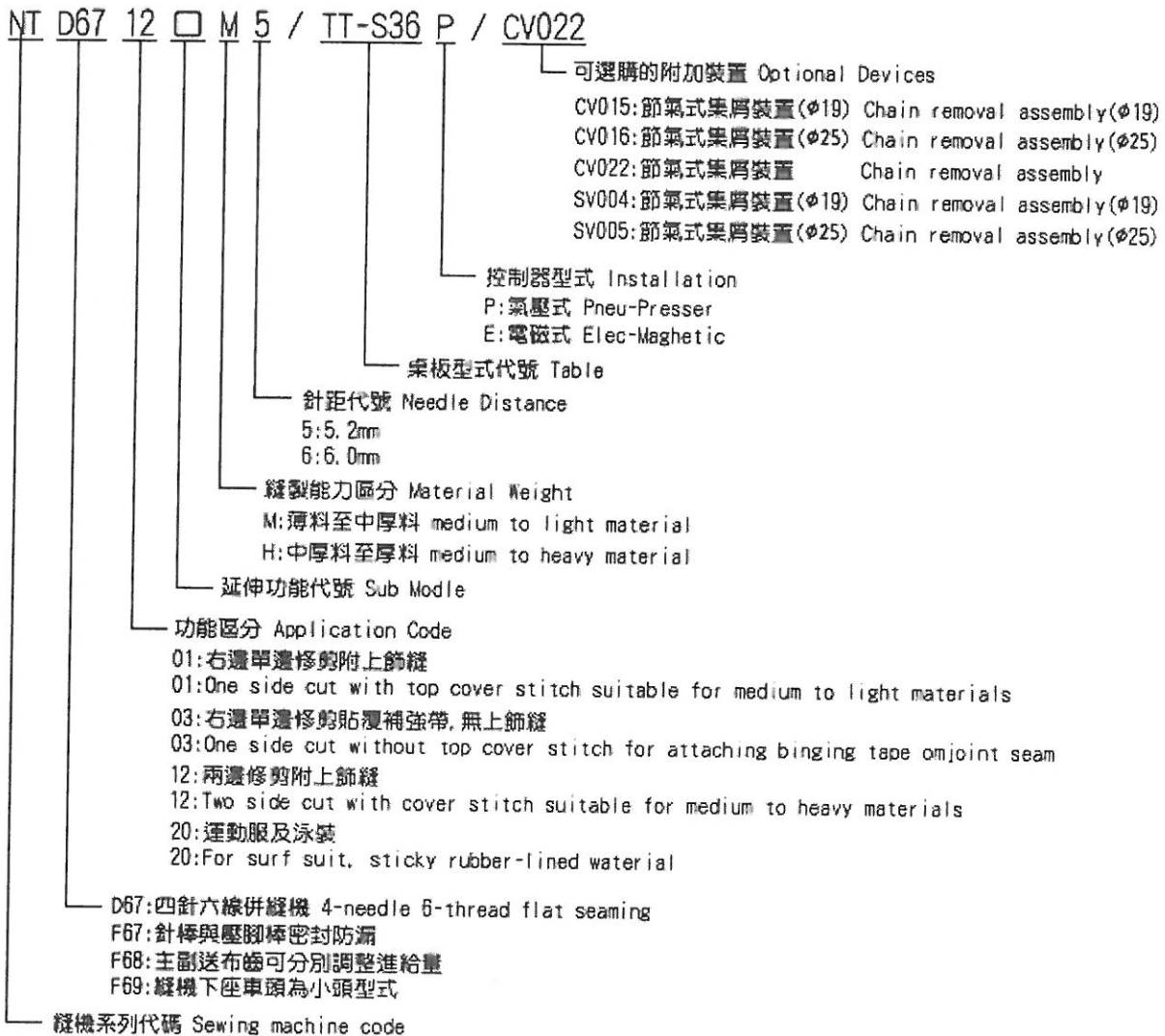
FOR SAFETY

1. Use maximum caution when you connect Power Cord to Machine as well as when you check the machine before switching power on.
2. Turn off Motor Switch whenever you leave the work table.
3. Turn off Motor Switch in the event of power failure.
4. Make sure Motor has completely stopped when attempting to clean, inspect, threading, replace Needles, etc.

1. 基本規格 SPECIFICATION

縫機型式 Model	NTD67	NTF67	NTF68
線跡型式 Stitch Type	ISO607		
最高轉速 Max Sewing Speed	3800RPM	3500RPM	3500RPM
縫目節距 Stitch Length	10 - 16 針/吋 ， 1.6 - 2.5mm/每針		
縫針型式 Needle System	縫製用針 FL*118GCS/Organ 控制用針 FLG-1/Organ		
總針距 Needle Distance	5.2mm(13/64") ， 6.0mm(15/64")		
壓腳提昇量 Presser Foot Lift	6mm 標準值		
差動比 Differential Ratio	最大縮縫 1 : 1.5 ， 最大伸縫 1 : 0.7		
潤滑油 Lubricating Oil	VG68/ISO		

2. 機型編號 MODEL NUMBERING AND APPLICATION



3. 使用前準備 INSTALLATION

NT 系列縫機，隨著不同的驅動方式及不同的附件裝置，有幾種組裝方式：

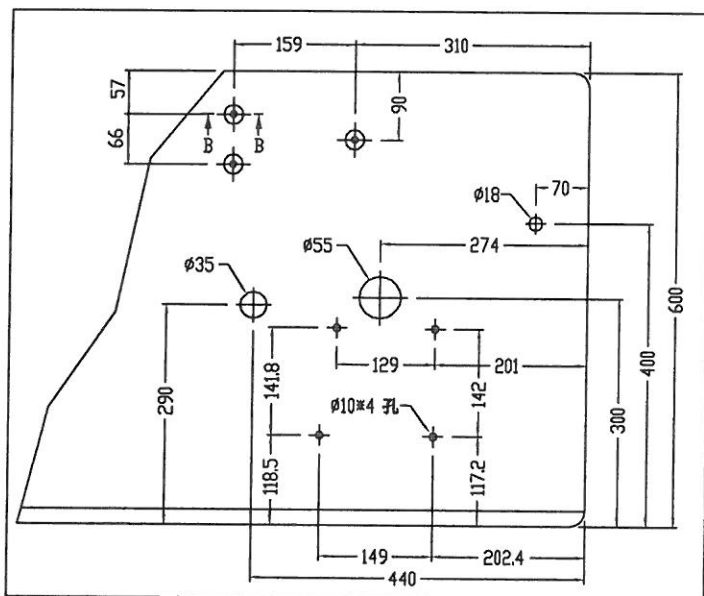
- 氣壓式壓腳提昇裝置 Pneu- presser foot lifter
- 電磁式壓腳提昇裝置 Elec- presser foot lifter

以下說明裝程序

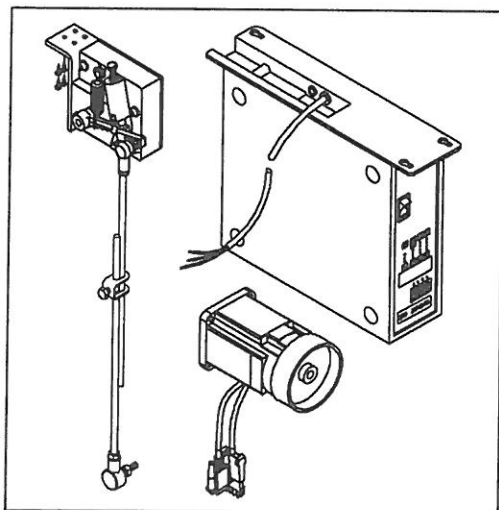
3-1 車板圖 Table cutting diagram

TTS36 車板尺寸圖 Table dimensions 1200*600*40

TTS36 桌板編號 Table NO. : 66817-10



TTS36 控制箱 Control box

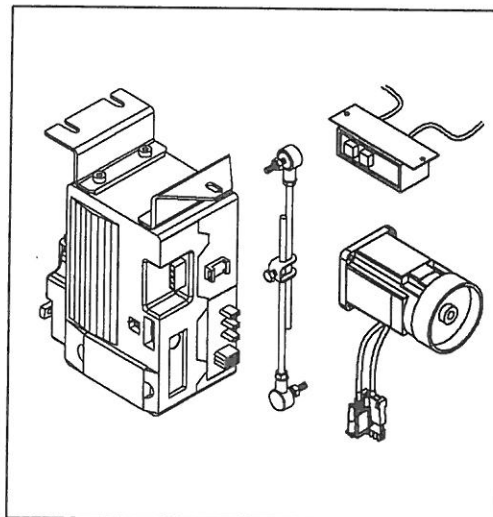


氣壓式控制箱 (MN056H)

Pneu control box

電磁式控制箱 (MN057H)

Elec control box



氣壓式控制箱 (MN052H)

Pneu control box

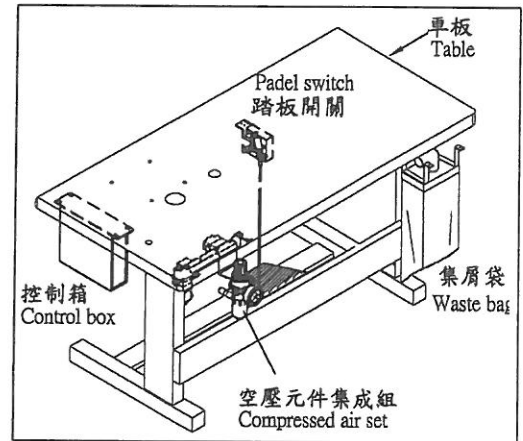
電磁動式控制箱 (MN053H)

Elec control box

3-2 組裝順序

(1) 氣壓式：安裝控制箱、集屑袋、 踏板開關、空壓元件集成組

- 車板(66817-10)固定於腳架上。
- 控制箱，踏板開關，空壓元件集成組及集屑袋安裝，固定於車板底面。
- 踏板開關連接於腳架踏板上。



3-2 Installation step by step

(1) Pneumatic Type : Installation of control box, lint collector, pedal switch, compressed air set.

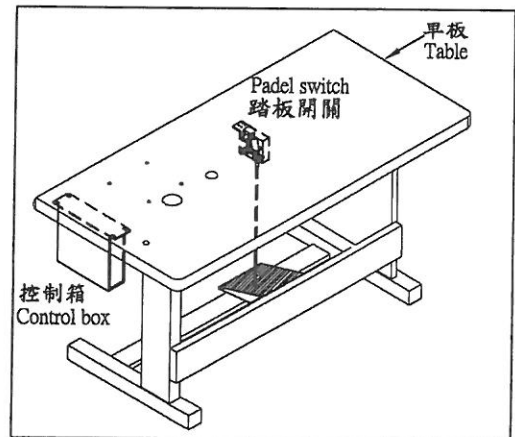
- Install table (66817-10) onto stand.
- Install control box, pedal, compressed air set and lint collector underneath the table.
- Linking pedal switch with pedal.

電磁式：安裝控制箱、踏板開關

- 車板(66817-10)固定於腳架上。
- 控制箱，踏板開關，固定於車板底面。
- 踏板開關連接於腳架踏板上。

Electric Type : Installation of control box and pedal switch.

- Install table (66817-10) onto stand.
- Install control box, pedal switch underneath the table.
- Linking pedal switch with pedal.

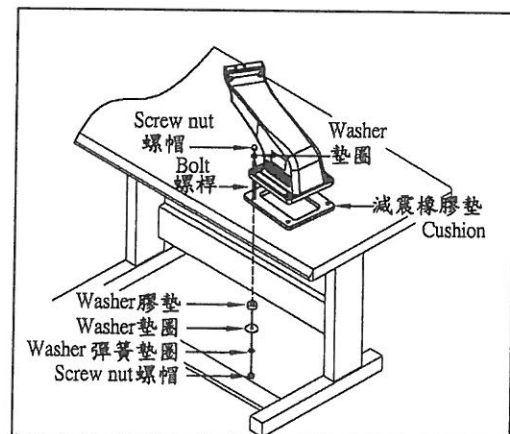


(2) 安裝縫機承座

- 減震膠墊對準車板的螺絲孔(注意正反面)。
- 縫機承座置於減震墊上。
- 螺桿*4 穿過固定孔兩端鎖緊固定螺帽。

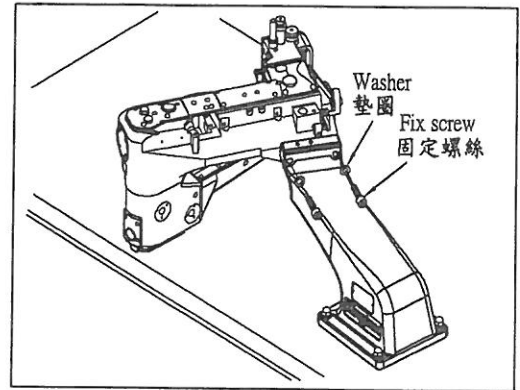
(2) Installation of machine support

- Make sure cushion is aiming at the screw hole on table. (please make sure the correct side of cushion.)
- Put machine support onto cushion.
- Insert bolt thru machine support, cushion, table and tighten screw nuts properly.



(3) 安裝縫機

- 避免縫機墜落造成損害，請由助手協助安裝。
- 將縫機安裝於承座上鎖緊固定螺絲 M10*2。

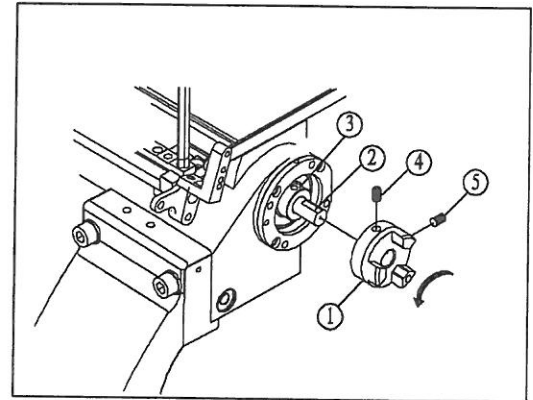


(3) Installing of machine head

- Please use two people to install machine head, in order to prevent machine head damage from dropping.
- Install machine head onto support by fix screw (M10*2)

(4) 安裝連軸器

- 連軸器(左)①穿入主軸②貼緊襯套③。
- 正轉方向第一顆固定螺絲④對正主軸上的第一顆螺絲槽鎖緊後，再鎖緊固定螺絲⑤。



(4) Installation of shaft connector

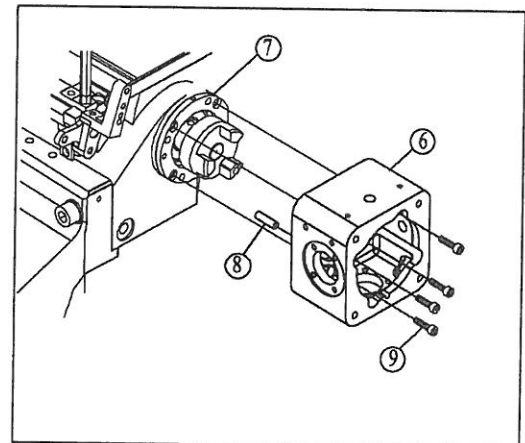
- Insert shaft connector (Left) ① thru shaft② close next to cushion③.
- Clockwise turning shaft connector, tightening the fix screw④ onto the flat surface on shaft. then, tightening fix screw⑤.

(5) 安裝直驅馬達座

- 定位銷⑧對正後，將直驅馬達座⑥套入主軸軸承座⑦鎖緊固定螺絲⑨M5*4。

(5) Installation of direct drive servo motor bracket

- Align pin⑧ on motor bracket, insert into shaft bracket⑥ and tightening fix screws⑨ (M5*4).

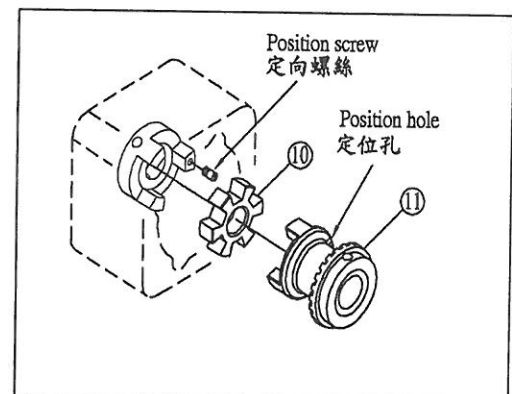


(6) 安裝緩衝墊及連軸器(右)

- 套入緩衝墊⑩。
- 定位孔對正定向螺絲套入連軸器(右)⑪，左右連軸器及緩衝墊需完全密合。

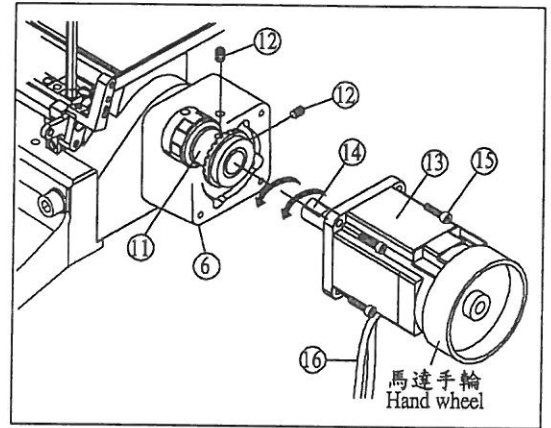
(6) Installation of cushion and shaft connector (Right)

- Insert cushion⑩ onto shaft.
- insert shaft connector (Right)⑪ thru position hole and position screw. please make sure both left and right shaft connectors and cushion should be tighten closely.



(7) 安裝直驅馬達

- 旋轉連軸器組⑪使正轉第一顆螺絲孔，對正上方直驅馬達座⑥的穿孔。
- 直驅馬達⑬正轉第一個螺絲槽⑭向上，電源線⑯向下。
- 直驅馬達穿入連軸器組⑪後，由直驅馬達座⑥，上方及側面的穿孔輕鎖固定螺絲⑫M5*2，使螺絲對正螺絲槽平面，鎖緊固定螺絲⑮M6*4。
- 由直驅馬達座⑥上方及側面的穿孔鎖緊固定螺絲⑫M5*2。



(7) Installation of mini servo motor

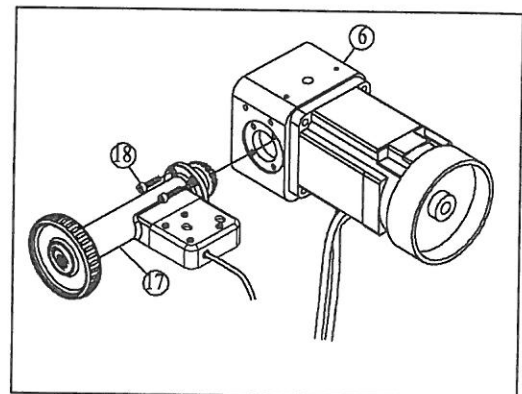
- Counter-clock turning shaft connector set⑪ and make sure first screw hole align to the screw hole on motor bracket⑥.
- Make sure flat surface on servo motor⑬ shaft⑭ toward up and power cord⑯ toward down.
- After inserting servo motor into shaft connector set⑪ tightening fix screw⑫ (M5*2) lightly thru the screw holes on the top and side from servo motor bracket⑥ and make sure screws align with the flat surface of servo motor shaft and then, tightening fix screws⑮ (M6*4) around servo motor.
- Tightening screws⑫ (M5*2) from the screw holes on top and side of servo motor.

(8) 安裝安全開關手輪組

- 裝入手輪組⑰至馬達座⑥，鎖緊固定螺絲⑱M4*4。

(8) Installation of hand wheel set

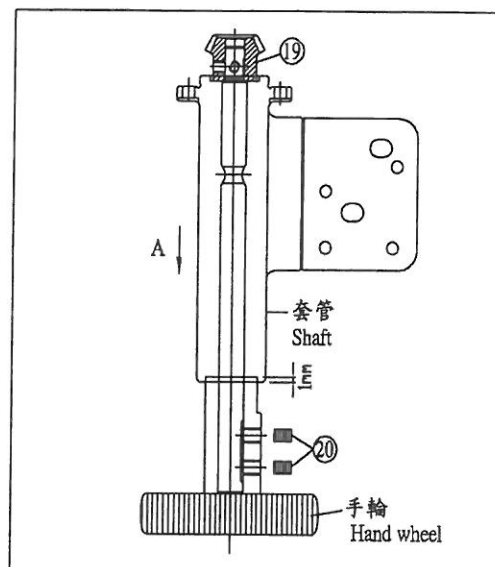
- Inserting hand wheel set⑰ into servo motor bracket⑥.
- Then, tightening screws⑱ (M4*4).



(9) 安裝手輪及調整

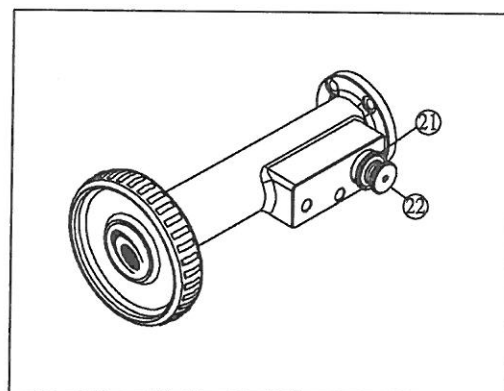
- 齒輪①⑨向 A 方向退出靠於套管，將手輪穿入心軸，手輪放入套管約 1mm，螺絲孔對正軸上螺絲槽，以②⑩M5*2 螺絲固定。
- 放鬆螺帽②⑪，放鬆或旋緊螺椿②⑫，可調整固定手輪的壓力，調整後再將螺帽②⑪鎖緊。
- 手輪推入後，須可固定於齒輪結合的位置，不可自動彈出。

※車縫時手輪必須退出，使齒輪脫離



(9) Installation of hand wheel and its Adjustment

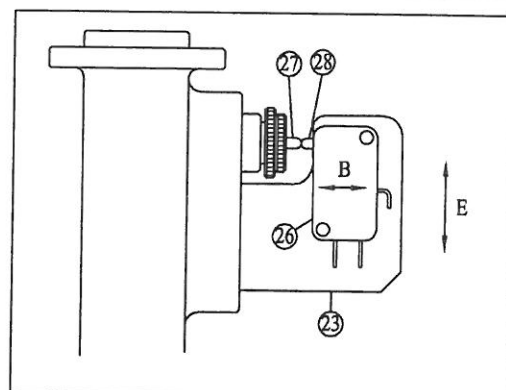
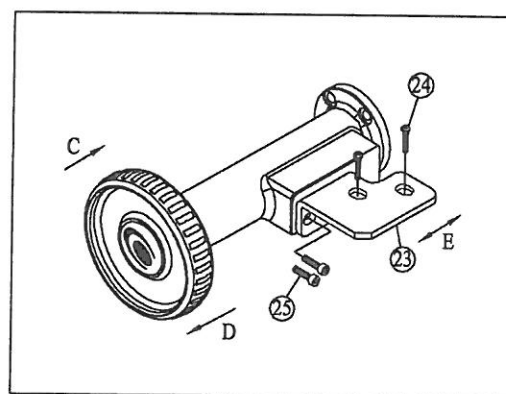
- Gear①⑨ Move gear①⑨ toward A direction and lean against pipe, then, insert hand wheel thru shaft and pipe around 1 mm distance, align screw holes toward the flat surface on shaft, then, tightening screws②⑩ (M5*2) in order to fix hand wheel.
- Loosening nut②⑪, loosen or tighten stud②⑫, able to adjust the pressure of hand wheel, after adjustment, tighten nut②⑪.
- once pushed in hand wheel, it should bite properly with the gear and can not be bounced back.



※ When operate the sewing machine, hand wheel must be pulled out.

(10) 安裝手輪及調整

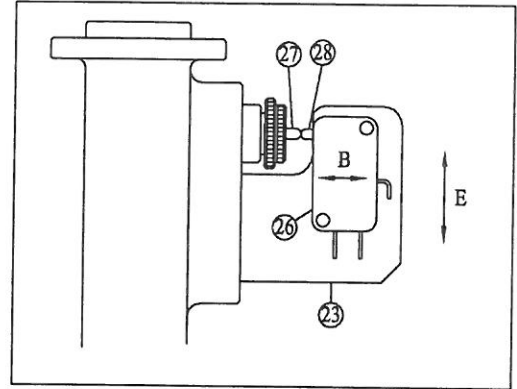
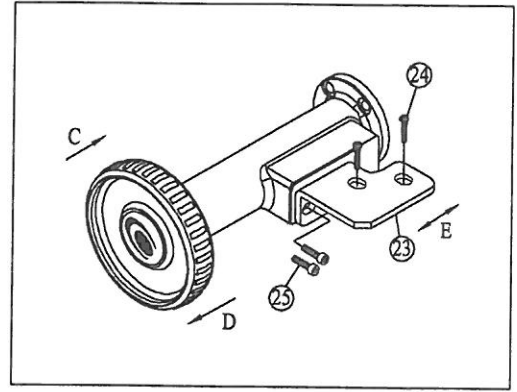
- 放鬆固定螺絲②④ ②⑤。
- 安全開關座②③可沿 E 方向調整移動，使安全開關按鈕②⑧對正頂桿②⑦，調查後所緊固定螺絲②⑤。
- 安全開關②⑥可沿 B 方向調整移動，調整按鈕按壓量：
 - a. 手輪推入時(C 方向：齒輪嚙合)
頂桿②⑦須退開按鈕②⑧，不得按壓按鈕②⑧。
 - b. 手輪拉出時(D 方向：齒輪脫離)
頂桿②⑦伸出按壓開關按鈕②⑧，按鈕必須按壓到發出“卡達”聲，調整後鎖緊固定螺絲②④。



※ 使用前須確認手輪推入時，馬達無法運轉

(10) Installation of hand wheel and its adjustment :

- Loosening fix screws(24), (25).
- Safety switch base can be moved toward E direction aligning switch button(28) with pushing pin(27) and then, tighten fix screws(25).
- Safety switch can moving along B direction, in order to adjust push button pressure.
 - a. When pushing in hand wheel, (pushing toward C direction, gear bited), pushing pin(27) should apart from switch button(28).
 - b. when pulling out hand wheel, (pulling toward D direction, gears apart from each other), pushing pin(27) should stick out and touching safety switch button(28), till heard the "Click" sound, then, tightening fix screws after the adjustment.



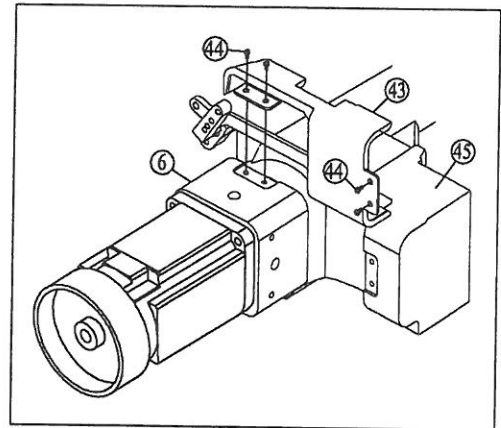
※ Prior to using this machine, please make sure, by the time when hand wheel been pushed in, the servo motor will not operate.

(11) 安裝封蓋

- 安裝封蓋(43)於馬達座(6)及針棒機構箱(45)上，用螺絲(44)M4*4 固定

(11) Installation of cover

- Installing cover(43) onto motor base(6) and sewing head(45) , by using screws(44), (M4*4)

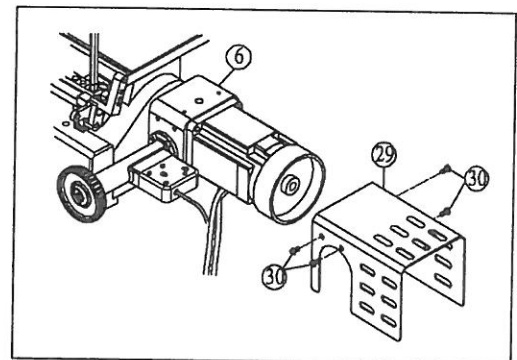


(12) 安裝馬達護罩

- 安裝馬達護罩(29)於馬達座(6)上，用螺絲(30)M4*4 固定

(12) Installation of servo motor cover

- Installing servo motor cover(29) onto motor base(6) by using screws(30), (M4*4)

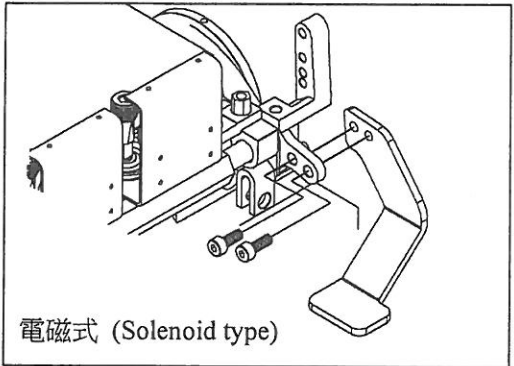
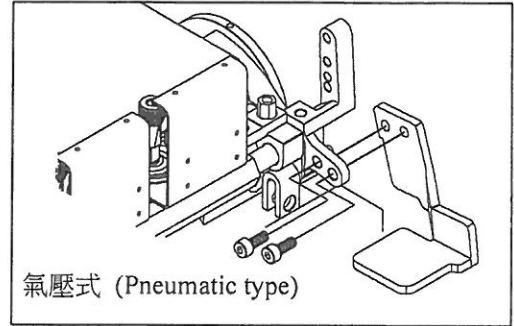


(13) 安裝壓板

- 安裝壓板於支架上，鎖緊固定螺絲 M5*2

(13) Installation of bracket

- Installing foot lifter bracket onto machine bracket by tightening fix screws (M5*2).

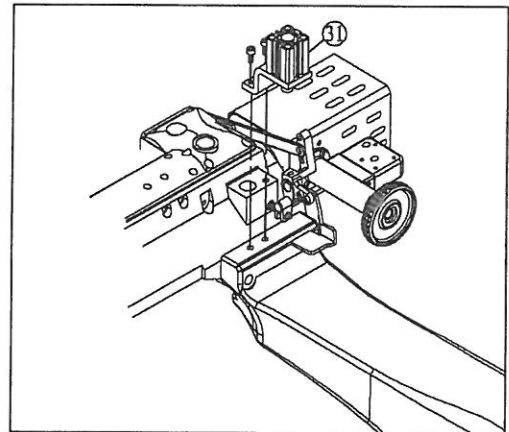


(14) 安裝氣壓缸組(氣壓式)

- 安裝氣壓缸組③①於縫機承座上，鎖緊固定螺絲 M6*2。

(14) Installation of air cylinder set
(pneumatic type)

- Installing cylinder set③① onto machine bracket and then, tightening fix screws (M6*2).

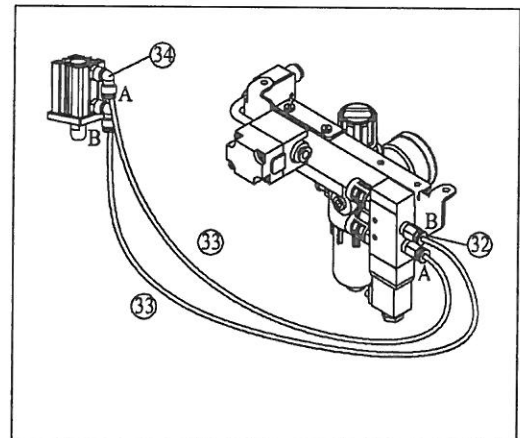


(15) 連接空壓管路(氣壓式)

- 附 $\phi 4$ 空壓管 2 條③③。
- ③③一端連結電磁閥③②，一端連接氣壓缸接頭③④。

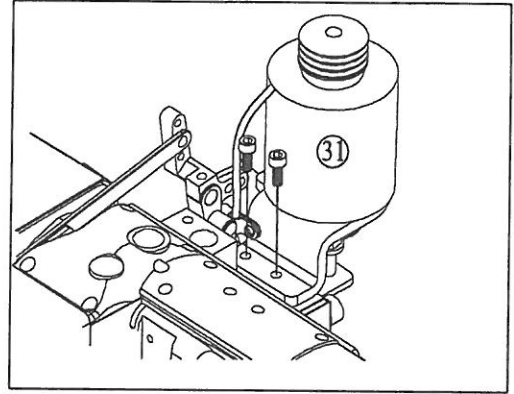
(15) Connecting compressed air pipes
(Pneumatic type)

- There have two compressed air pipes of $\phi 4$ ③③ inside accessories box.
- One end of air pipe③③ connect to electromagnetic valve asm. ③②, the other end connect to the a adaptor③④ of compressed air cylinder.



(16) 安裝磁力線圈組(電磁式)

- 安裝磁力線圈組③①於縫機承座上，用螺絲 M6*2 鎖緊。



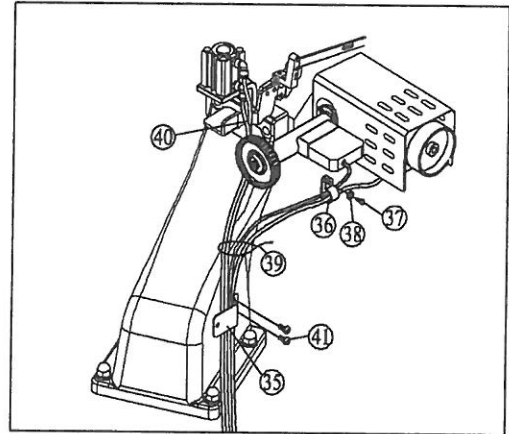
(16) Installation of presser foot lifter solenoid

- Installing presser foot lifter solenoid onto machine bracket by tightening fix screws (M6*2).

(17) 安裝集線護罩

氣壓式：

- 馬達及安全開關電線穿過線夾③⑥，用 M4 螺絲③⑦及墊圈③⑧，固定於縫機承座。
- 安裝集線護罩③⑤，鎖緊固定螺絲④①M5*2 於縫機承座。
- 將電線及其他管線置於集線護罩③⑤內。
- 用束線帶③⑨將空壓管④⑩綁於馬達電線上，加以固定。



(17) Installation of wire cover

Pneumatic type :

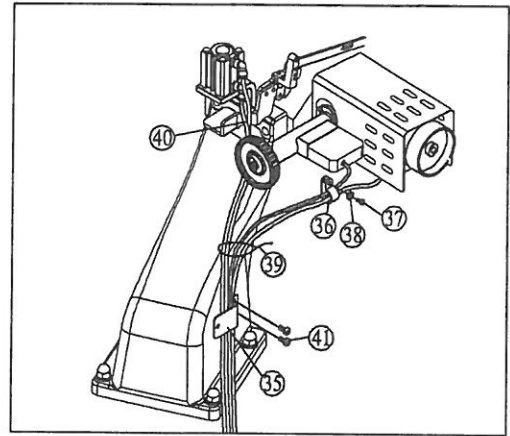
- Passing the electricity wires from servo motor and safety switch thru thread pipe stay③⑥ and tightening thread pipe stay by M4 screw③⑦ and washer③⑧ onto machine bracket.
- Installing wire cover③⑤, by tightening Fix screws④① (M5*2) onto machine support bracket.
- Collecting electricity wires and other wires and pass it thru inside of wire cover③⑤.
- Tightening air pipes and electricity wires together by wire strip and passing thru wire cover.

電磁式：

- 馬達、安全開關及磁力線圈電線，穿過線夾③③，用 M4 螺絲③④及墊圈③⑤，固定於縫機承座。
- 安裝集線護罩③②，鎖緊固定螺絲③⑥M5*2 於縫機承座。
- 將電線及其他管線置於集線護罩③②內。

Solenoid type：

- The wires from servo motor, safety switch and solenoid passing thru thread pipe stay③③ and to be attached to machine support bracket by screws③④ and washer③⑤ via wire cover.
- Installing wire cover③②, by tightening fix screws③⑥ (M5*2) onto machine support bracket.
- Collecting electricity wires, other wires and airtubes and passing thru wire cover③②.

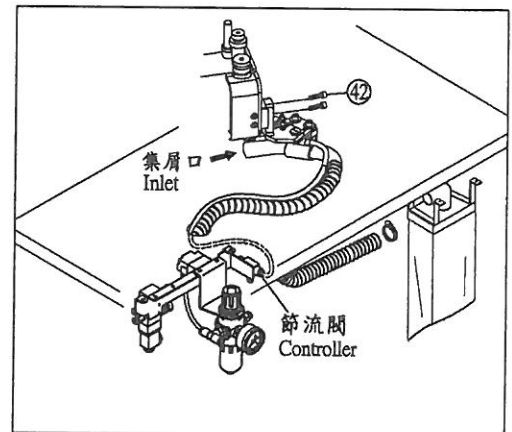


(18) 安裝集屑裝置

氣壓式：

- 將 CV015 / CV016 的集屑管組用螺絲④②M5*2 鎖緊。
- 集屑口對正壓腳出屑處，且不得與裁片、壓腳有所干涉，以及不影響縫機操作。
- 空壓管依圖示插入節流閥。
- 集屑管插入集屑袋接頭。
- 節流閥設定

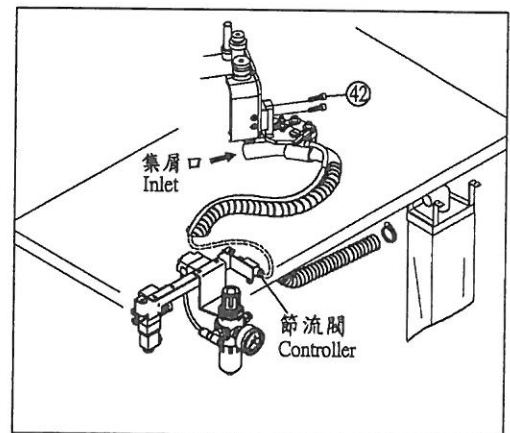
節流閥可調整集屑口的吸屑力，對較薄的裁片，可適度減小吸屑力，可避免縫製上的困擾。



(18) Installing of lint collector

Pneumatic type：

- Tightening lint collector of CV015 / CV016 by screws④② (M5*2).
- Inlet of lint collector should be line up with output from waste chute. of presser foot, and can not have Any interference with presser foot and machine sewing operation.
- Inserting air pipe into speed controller according to illustration.
- One end of suction pipe should be inserted into waste bag.
- The setting of speed controller：
The suction power from speed controller is able to be adjusted according to different types of fabrics. For light weight materials, the suction power should be adjusted, smaller in order to avoid the sewing difficulty.

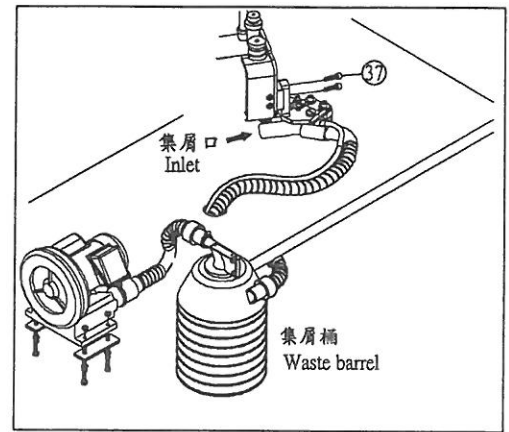


電磁式：

- 將 SV004 / SV005 的集屑管組用螺絲⑳M5*2 鎖緊。
- 集屑口對正壓腳出屑處，且不得與裁片、壓腳有所干涉，以及不影響縫機操作。
- 將集屑管接於集屑桶。

Electromagnetic type :

- Tightening suction pipes of SV004 / SV005 by screws⑳ (M5*2).
- The inlet of suction pipe should be line up with output from waste chute of presser foot and can not interference with sewing fabrics, presser foot and sewing operation.
- One end of suction pipe should be connected with waste drum.

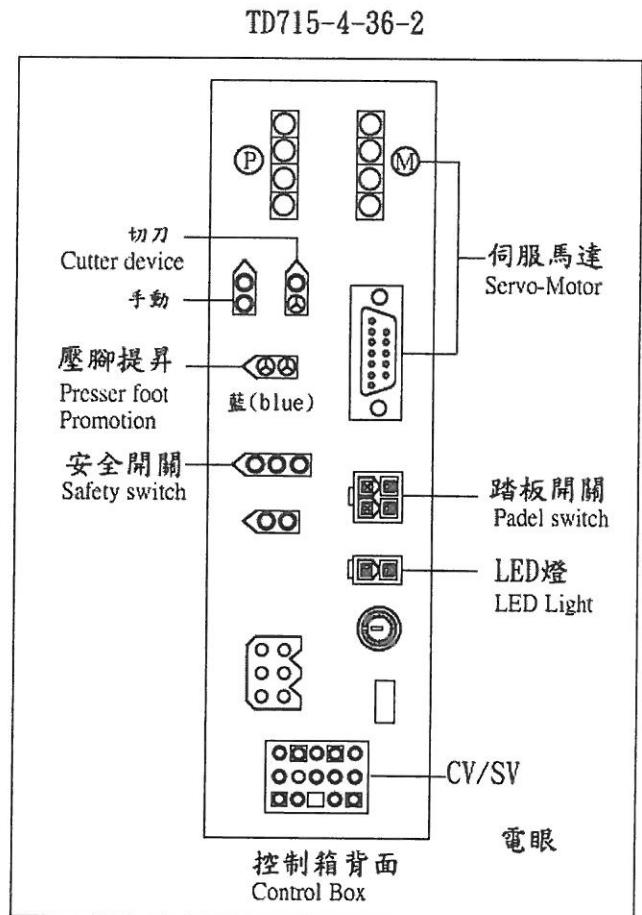


(19) 連接控制箱與各作動件

- 將各控制線信號線依序插入控制箱背面對應的接頭裡。

(19) Connecting control box and its operations and its movement

- Inserting signal wires onto the back side of control box by connecting related wires with correspondent adaptors in sequence.



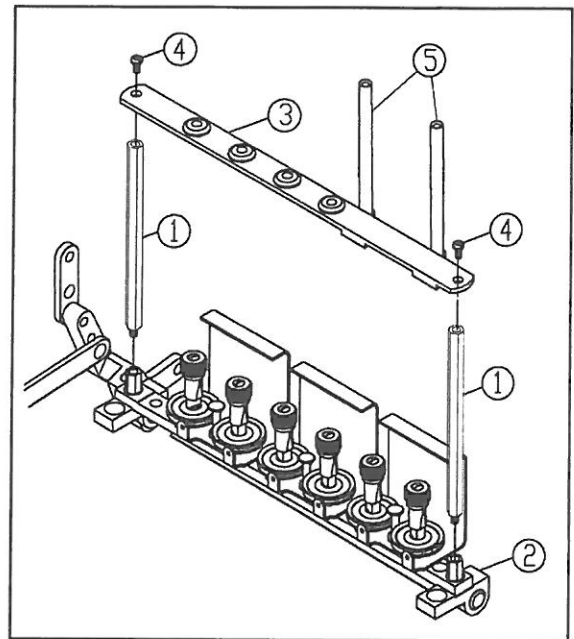
(20) 安裝導線架

將支柱①鎖在承座②上，將導線板③鎖在支柱①上，調整導線管⑤，使縫線能很順暢的流動。

Setting thread eyelets

Set the thread guide plate supports① on the thread tension support② and fix the thread guide plate③ on the supports① with the screws④.

Adjust the thread pipes⑤ properly, so the threads can be run smoothly without entangling.



4. 潤滑

4-1 添加潤滑油

必須使用 VG68/ISO 或同等級的潤滑油。
打開注油孔孔塞①、②，加入潤滑油，注意加入潤滑油的同時，觀察油面指標③及油面計④不可超出上限，完成後請再次鎖緊①、②注油孔塞，並於使用縫機時，經常檢查油面高度。

4. Lubrication

4-1 Lubricating

Remove the plug screws① and ② where indicated "OIL" and supply oil.

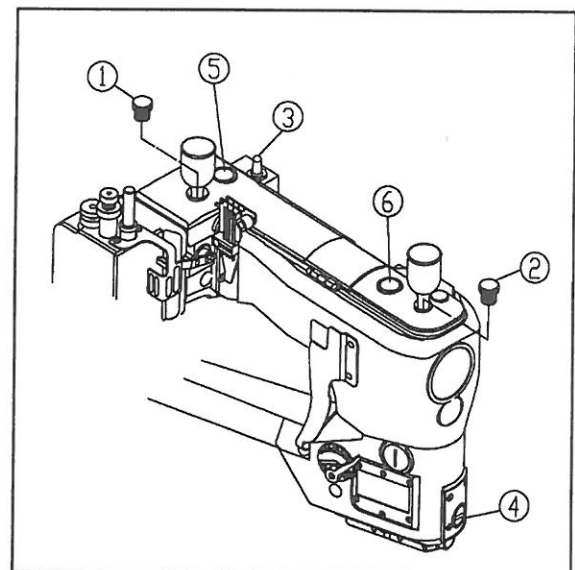
pouring Oil VG68/ISO thru the plug screw①,

supply oil until the oil level indicator reaches the upperline in the oil sight gauge③.

Pouring oil thru the plug screw②, supply oil to the upper line in the oil sight auger ④.

Check the oil level between the lines in the oil sight gauges③ and ④ before running the machine. if it is under the lines, supply adequate oil.

Check the oil splashes from the nozzle inside the oil sight top windows⑤ and ⑥ when starting to run the machine.



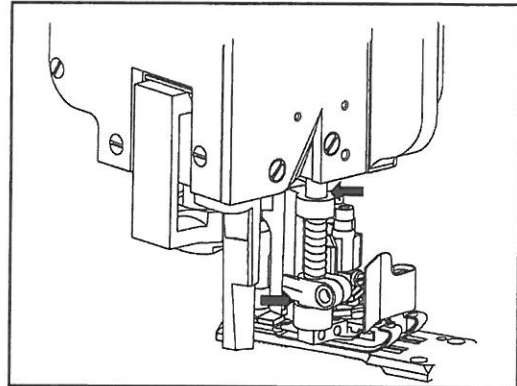
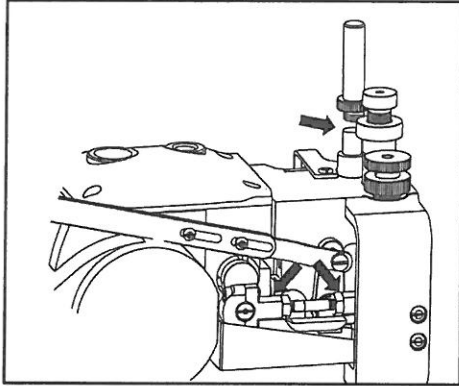
4-2 外裝活動件潤滑

新機器使用前或是長時間沒有使用的縫機，在使用前，請參照圖的部位
添加少許潤滑油。

※ 注意，太多的潤滑油會順流到上切刀及壓腳底，導致裁片受到污染。

4-2 Replenishing oil

Replenish a drop of oil from the points indicated arrows with an oilier (in accessories box) if needed.
If oil leaks around the presser foot and the upper knife, it can cause oil stain on the material.
Be sure to wipe it out completely.



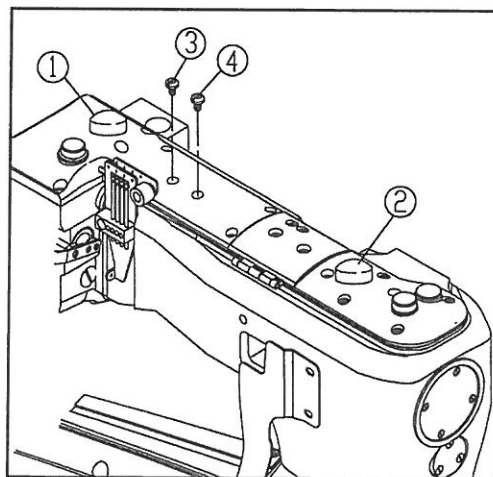
4-3 確認潤滑工作正常

新機器或是長期未使用的縫機，啟動運轉時請觀察循環油視窗①、②，
注意是否有油噴出。

如果在①或②油窗上沒有看到循環油噴出，請停止縫機，將③、④螺樁卸下，
在孔內注入些許潤滑油，鎖回螺樁③、④後再重新啟動縫機。

4-3 Checking lubricating of oil

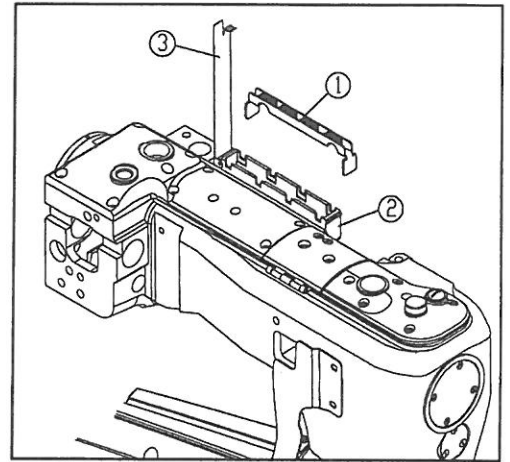
Pour oil if oil does not circulate completely when installing a new machine or running a machine which has not been used for a while. remove the plug screws③ of the pump driven gear to pour oil. Run the machine after resetting them③.



4-4 添加矽油

使用化纖線或是化纖類裁片，發生熔解或跳線的情形時，
可使用矽油來冷卻

1. 將羊毛氈座①放入矽油槽②裡
2. 添加矽油於油槽內
3. 蓋回護蓋③



4-4 Needle sp container

Needle sp container is equipped as standard to prevent thread breakage and skip stitch when running the machine at high speed or using synthetic thread and/or synthetic fabric.

Fix the felts①, (included inside the accessories box), into the sp container② when using.

Use dimethyl silicone oil.

Open the oil cup lid③ and check the oil amount.

If not sufficient, supply oil into the sp container②.

4-5 更換 / 潤滑油

新機器使用 150 小時或是開始使用後最初 1 個月，請更換潤滑油。

參照附圖 A、B。

圖 A，取下皮帶蓋打開卸油孔塞，殘油滴盡後重新裝回孔塞及皮帶蓋。

圖 B，打開卸油孔塞，殘油滴盡後，重新裝回孔塞。

4-5 Changing oil

When using a new machine, change the lubricating oil after running for 200 hours (for about one month).

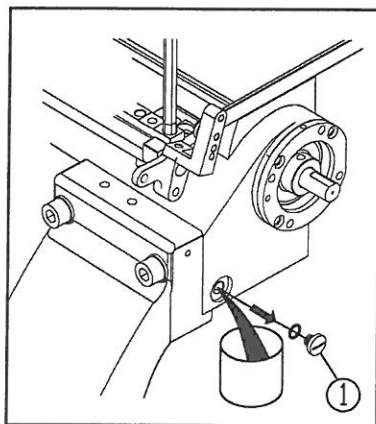


圖 A

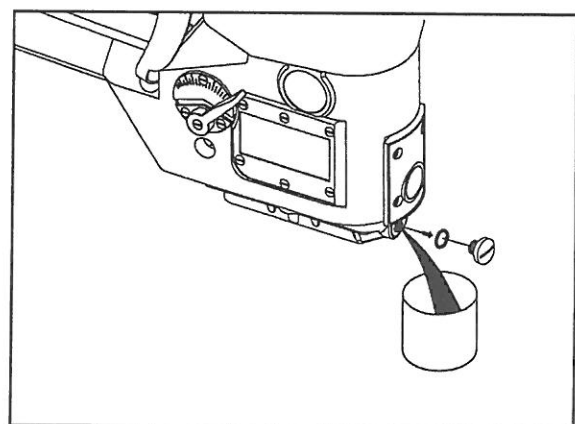


圖 B

5. 縫針

5-1 縫針系統

NTD67 使用的縫針為 FL*118GCS/Organ 與 FLG-1/Organ，依照裁片的性質及厚度，選擇適當的縫針。

5. Proper operation

5-1 Needle system

Sewing needle:

Organ FL × 118GCS

Retainer needle:

Organ FLG-1 FLG-8 (with scarf)

縫針/控制用針 號數與粗細對照表

Select the proper retainer needle in size depending on thickness and type of the material.

Japanese(日本) standard	8	9	10	11	12	-	14
Metric(公制) standard	60	65	70	75	80	-	90

5-2 縫針安裝

注意，在安裝縫針時，一定要切斷電源，

同時確認馬達已經完成停止。

縫針的針柄上刻有兩個平槽，安裝縫針時，必須確認針柄推進到定位孔底，

平槽對正螺絲孔後再鎖緊固定螺絲。控制用針安置在最右邊。

5-2 Needle change

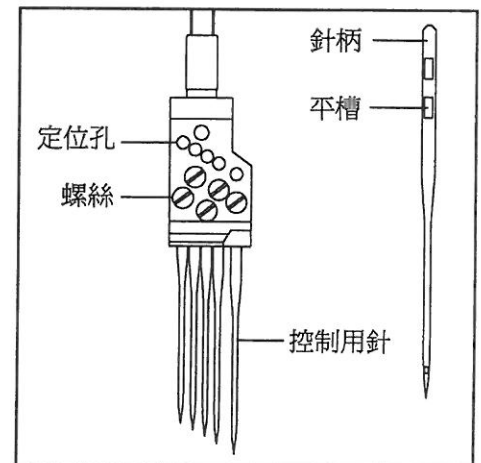
Before installing the needles, ALWAYS turn the motor switch OFF and check the motor had already stopped completely.

The shank of the needle includes the flat part.

Insert needle into the inmost point of the needle clamp and tighten them with the screws.

Replacing needle

1. Raise the needles at the highest point.
2. Loosen screws and remove the old needle(s).
3. The flat part face front, insert new needle into the needle clamp as far as they go. Tighten the screw securely.



5-3 穿線

注意，在穿線的時候縫機一定要完全停止。

造成縫製品上的瑕疵，穿線錯誤是很重要的原因之一，請特別注意。

下圖中，每一條縫線穿過線孔的路徑 1、2、3、4 為針線，5 為上飾線，6 為下結線鉤線。

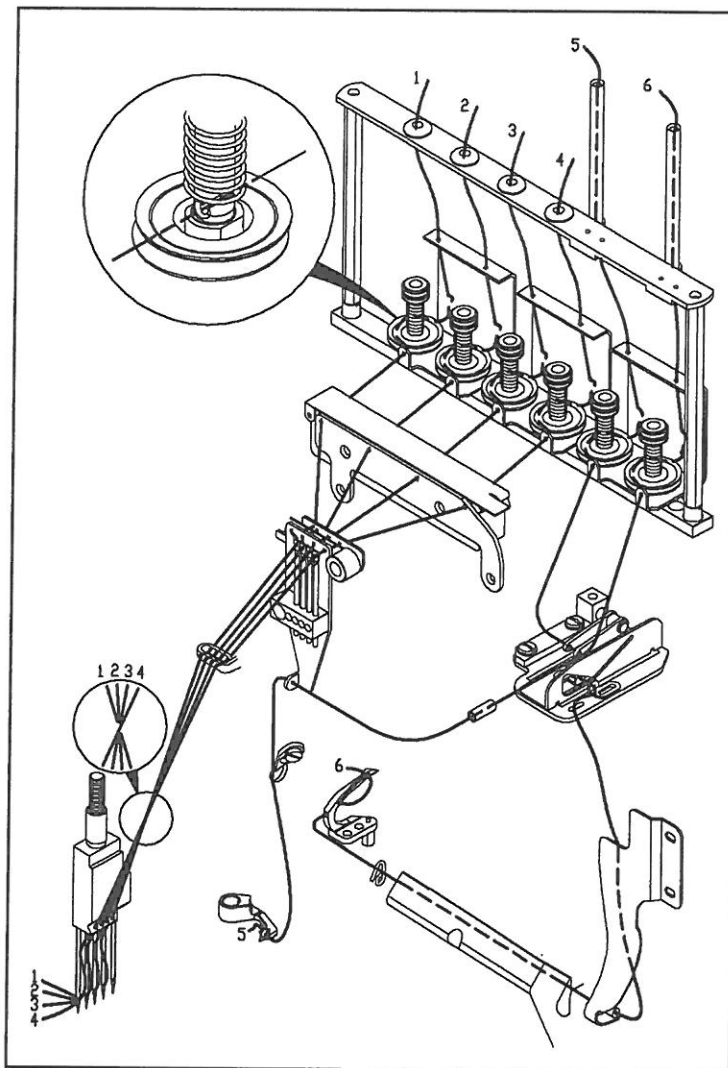
5-3 Threading

Threading

Wrong threading is one of reasons for causing the deficits of sewing products

Thread diagram

1,2,3,4 are Needle thread, trim the knots of thread neatly before passing through the eyes of the needles. 5 is top cover thread, 6 is lower looper thread.



5-4 縫線張力控制

依照裁片的特性，縫線的類別，線跡的寬度，縫目的大小，各種不同的縫製需要來調整，各條縫線的張力。

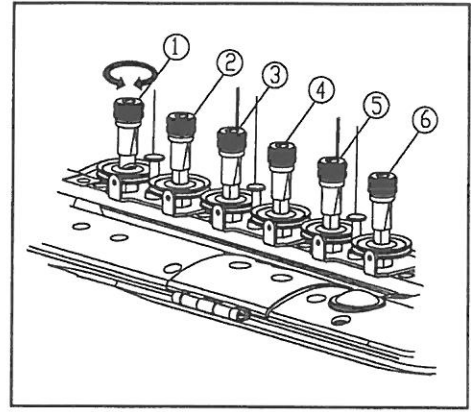
旋鈕向右(順時針)張力加大

旋鈕向左(逆時針)張力減小

5-4 Thread tension

Adjust the thread tension with the tension adjusting nuts ① - ⑥ depending on fabric type, thread type, seam width, stitch length, and other sewing conditions.

- To tighten the thread tension, turn the nuts clockwise.
- To loosen the thread tension, turn the nuts counterclockwise.



6. 壓腳

6-1 壓腳壓力

在穩定的縫製作業之下，壓腳的壓力愈輕愈好，放鬆固定螺帽①

旋鈕②向右(順時針)壓力加大

旋鈕②向左(逆時針)壓力減小

調整後再確認鎖緊固定螺帽①

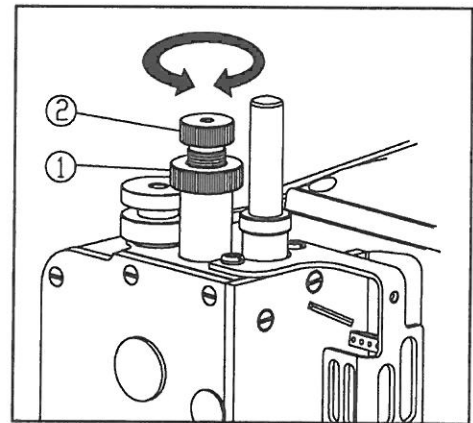
6. Presser foot

6-1 Pressure of presser foot

Keep the pressure as low as possible for stable stitches.

Loosen the lock nut ① and turn the adjusting screw ② to adjust the pressure.

- To increase the pressure, turn the adjusting screw ② clockwise.
- To decrease the pressure, turn the adjusting screw ② counterclockwise.



6-2-1 壓腳高低位置設定

壓腳底面稍微懸浮於針板面上，在縫製作業時，可有以下的效果。

- a 可使裁片順暢的輸送
- b 可避免裁片被送布齒刮傷
- c 可延長底面彈性壓板的壽命
- d 可減少噪音振動
- e 可以微調疊縫的寬度

6-2-1 Up-and-down position of presser foot

Following effective results will be obtained by slightly raising the presser foot.

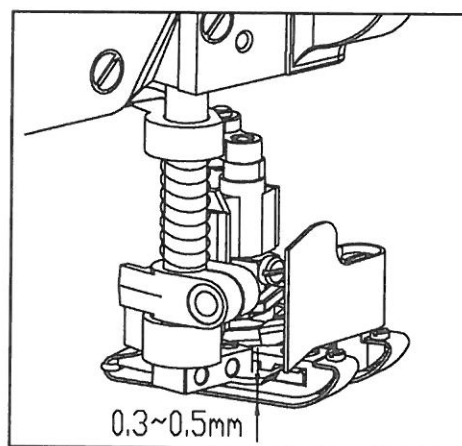
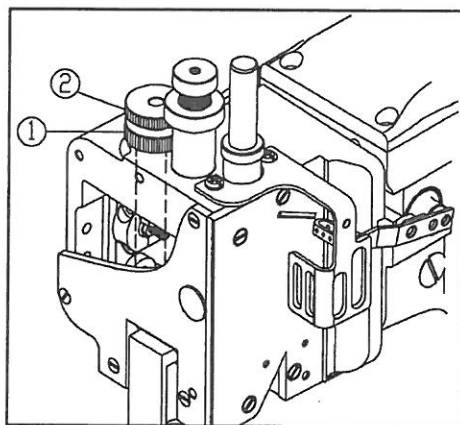
- (a) Prevent of fabric from jamming
- (b) Prevent fabric from damaging
- (c) Increases durability of presser foot spring plate
- (d) Reduction of vibration and noise
- (e) Easier for fine adjustment of lapped fabric width

6-2-2 設定方式

1. 將針棒降到最低點
2. 放鬆固定螺帽①旋轉旋鈕②，調整壓腳底面與彈性壓板間間隙為 0.3~0.5mm 調整後確認鎖緊固定螺帽

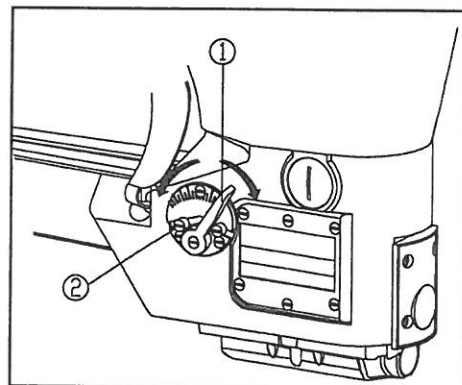
6-2-2

- (1) Position the needle at its lowest point.
- (2) Loosen the lock nut② and turn the adjusting nut① counterclockwise to raise the presser foot.
- (3) Adjust the clearance between the bottom of the presser foot and the presser foot spring plate to 0.3 - 0.5 mm.
- (4) Tighten the lock nut② securely.



7. 調整送布齒差動比

向左或向右搬動差動扳手①可變換差動比，在刻記“4”與“5”之間，主送布齒與副送布齒差動比為 1 : 1。向“9”方向搬動差動比加大(縮縫)向“1”方向搬動差動比減小(伸縫)螺椿②用來限制扳手的搬動範圍



7. Adjusting differential feed dog

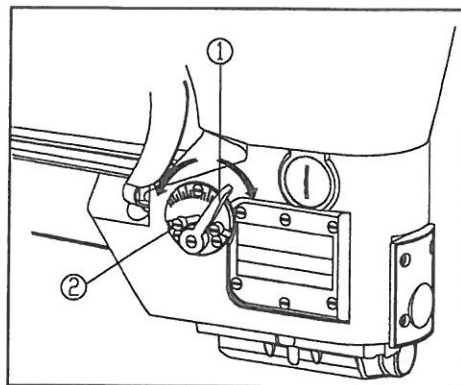
Move the differential feed operating lever① right or left to adjust differential feed dog.

The lever① between the graduations “4” and “5” makes the equal movement of the main feed dogs and the differential feed dogs.

To make normal differential, move the lever① to “9” .(shrinkage)

To make reverse differential, move the lever① to “1” (stretch)

The screw② is for restrain the lever① movement and keeping the differential movement within its limitation.



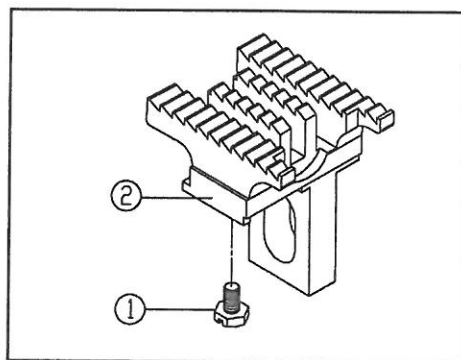
8. 調整縫目節距

縫目節距範圍 1.6~2.5mm

※ 注意，先調整差動比調整後再調整縫目節距。

※ 如果是加大縫目節距，必須先把後導針器鬆開後退

1. 放鬆固定螺絲①，退開後導針器②。
2. 打開孔塞③
3. 放鬆螺樁④向上移動加大節距，向下移動減小節距
4. 完成後鎖緊螺樁④及孔塞③
5. 重新設定後導針器的位置



8. Adjusting stitch length

Stitch length ranges 1.6 - 2.5mm as standard and can be adjusted infinitely.

(1) Loosen the screw① and move the needle guard (rear)② most backward. Then tighten it slightly.

※ This procedure is skipped if decreasing the stitch length.

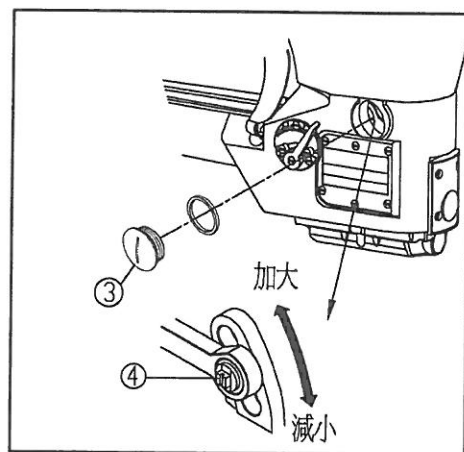
(2) Remove the plug screw③.

(3) Loosen the screw④ to adjust the stitch length.

- To increase stitch length, move the screw④ upward.
- To decrease stitch length, move the screw④ downward.

(2) Tighten the screw④ securely and reset the plug screw③.

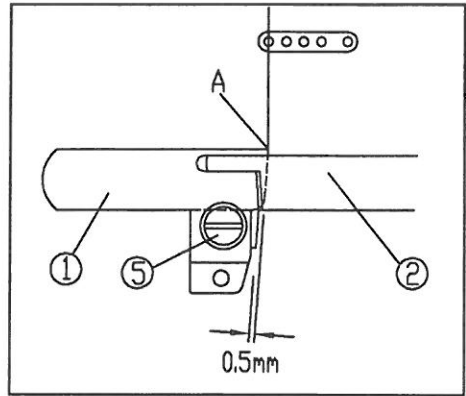
(3) Adjust the position of the needle guard (rear)② and tighten the screw① securely.



9. 調整上裁片的疊縫寬度

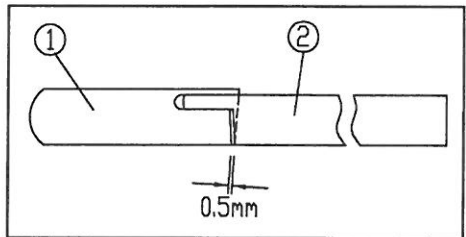
9-1 設定固定刀片的標準位置

1. 安置固定刀片①的刀尖 A 點必須對準左側第一支針。
2. 活動刀片②擺動到最左邊，上下刀嚙合量為 0.5mm，此時為上下刀安裝的標準位置。



9-2 調整上裁片的疊縫寬度

1. 在左右移動固定刀片，同時伸縮活動刀片②保持固定嚙合量為 0.5mm，這樣就可以變更裁片的疊縫寬度。
2. 放鬆螺絲⑤及④可移動固定刀片與活動刀片，注意，調整後必須確認螺絲再次鎖緊。



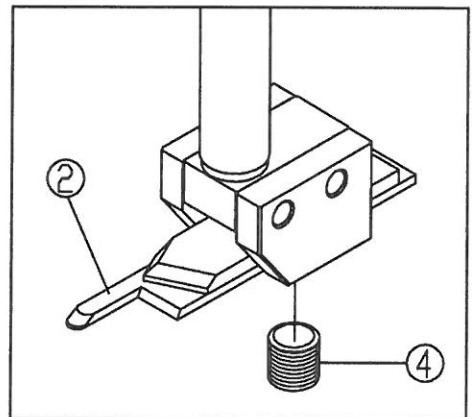
9. Adjusting lapped width of upper layer of fabric

For the standard position of the lower knife①, adjust the distance between the lower knife① tip and the lower knife clamp② to 0 - 0.5 mm.

For the standard position of the upper knife③, the biting between the upper knife③ and the lower knife① is 0.5 mm when the upper knife③ is at the extreme left.

To move the fabric edge right or left, position the lower knife①, and then move the upper knife to engage between the knives to 0.5 mm.

Loosen the screws④ and ⑤ to adjust the lower and the upper knives.

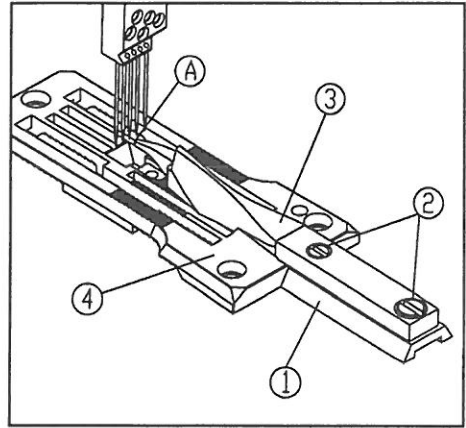


10. 設定裁片疊向導模

NT67 標準疊向為左疊縫

10-1 標準設定位置

導模的尖端“A”對正四支針的中間，如果在必要時放鬆螺絲②，可修正尖端“A”的位置，導模座①推向前與針板外緣接觸，依裁片的厚度可稍稍退開一點。



10. Use of lap former

Align the point A of the lap former③ with the center of four needles.

Depending on lapped edges of the fabrics or fabric feeding, loosen the screws② and adjust the position.

Set the position where the lap former slide block① touches and stops in the front of the stitch plate④.

Depending on fabric thickness, adjust the position slightly toward the operator.

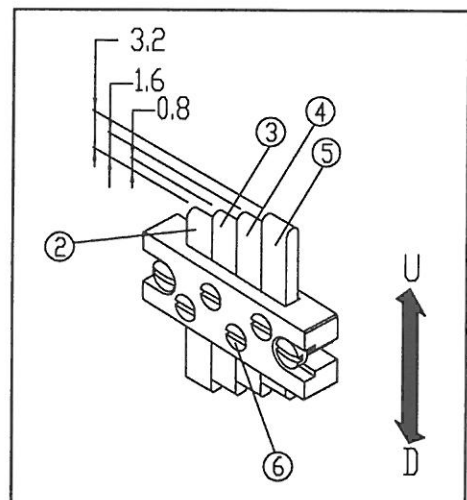
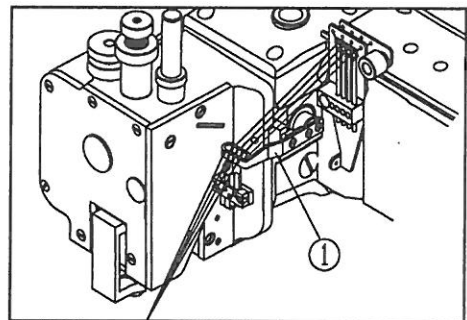
11. 使用時各項調整

11-1 針線張力調整梢

每一條針線各對應一支調整梢，可分別調整針線上線環的大小

11-1-1 標準設定位置

1. 降下揚線臂①到最低點。
2. 設定調整梢②端面與最右針針線輕輕接觸。
3. 設定調整梢③比②高 0.8mm。
4. 設定調整梢④比②高 1.6mm。
5. 設定調整梢⑤比②高 3.2mm。
6. 確認四支調整梢端面水平後，再確實鎖緊螺絲⑥。



11-1-2 變更調整梢的高低位置，可調整針線線環的大小

1. 調整梢向上(U方向)針線線環加大。
2. 調整梢向下(D方向)針線線環減小。

11. Adjustments

11-1 Needle thread tension

Each of four needles has the needle thread strike-off pin which can adjust the thread tension respectively.

11-1-1 Standard set position

- (1) Position the needle thread take-up^① at the lowest point.
- (2) Set the top of pin^② even with the needle thread of the fourth right needle.
- (3) Set the pin^③ even with or 0.8 mm higher than the pin^②.
- (4) Set the pin^④ 1.6 mm higher than the pin^②.
- (5) Set the pin^⑤ 3.2 mm higher than the pin^②.
- (6) Tighten the screws^⑥ securely.

Note: Check the top of the pins are horizontally.

11-1-2 By changing the High / Low position of strike off pin, can changing the size of needle thread loops.

Loosen the screws^⑥ and move the pins up or down to adjust the needle thread loop.

- To make the loop larger, move the pins in the direction “U” .
- To make the loop smaller, move the pins in the direction “D” .

11-2 針線導線梢

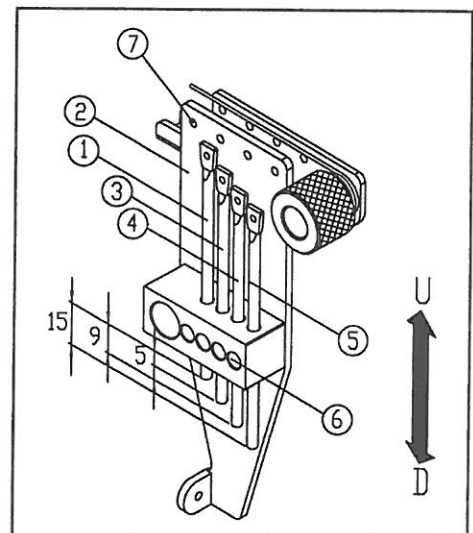
11-2-1 標準設定值

1. 最右針的導線梢^①其導線孔對正支架^②上的導線孔。
 2. 設定導線梢^③比^①低 5mm。
 3. 設定導線梢^④比^①低 9mm。
 4. 設定導線梢^⑤比^①低 15mm。
- 確認導線梢線孔垂直支架後，鎖緊螺絲^⑥。

11-2-2 變更導線梢的高低位置可調整

針線的張力

1. 向上(U 方向)針線較緊。
2. 向下(D 方向)針線較鬆。



11-2 Needle thread eyelet

11-2-1 Standard setting

- (1) Make height of the right needle thread eyelets^① to align their eyes with the eyes^⑦ of the needle thread eyelet holder^②.
- (2) Set the eyelet^③ 5 mm lower than the eyelet^①.
- (3) Set the eyelet^④ 9 mm lower than the eyelet^①.
- (4) Set the eyelet^⑤ 15 mm lower than the eyelet^①.

11-2-2 How to adjust thread tension

Loosen the screws ⑥ to adjust the needle thread tension.

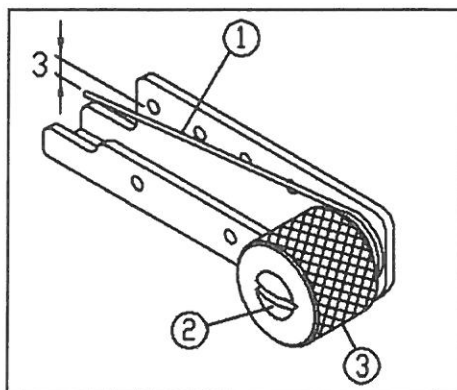
- To tighten needle thread, move the eyelets in the direction "D".
- To loosen needle thread, move the eyelets in the direction "U".

11-3 線環抑制彈簧

在縫製作業途中，如果要取出裁片，反轉手輪時，線環抑制彈簧可使縫針外側不致產生線環。

11-3-1 調整方法

放鬆螺絲 ② 旋轉旋鈕 ③，使簧線 ① 末端下降距水平線 3mm 後鎖緊螺絲 ②。



11-3 The stitch unlock spring

If need to take out sewing pieces during sewing operation, Turn hand wheel counter - clock wise, the stitch unlock spring can prevent the thread loops will not be created outside the needle from happening.

11-3-1 Presser bar post spring adjustment

The end of needle thread presser spring ① should be 3 mm lower than the threads horizontal position. To make adjustment, loosen screw ② and turn knob ③. After this adjustment, tighten screw ②.

12. 下結線鈎縫線張力

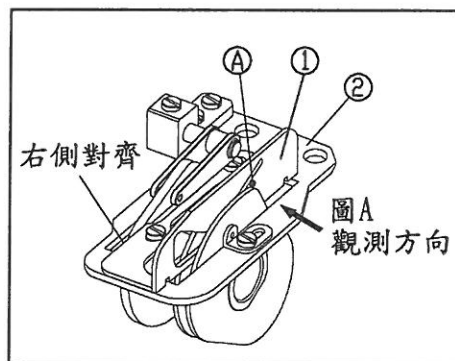
下結線鈎揚線凸輪設定說明，觀測方向如圖

12. Adjusting looper thread tension

Looper thread take-up guide setting explanation and the observation direction is as diagram A

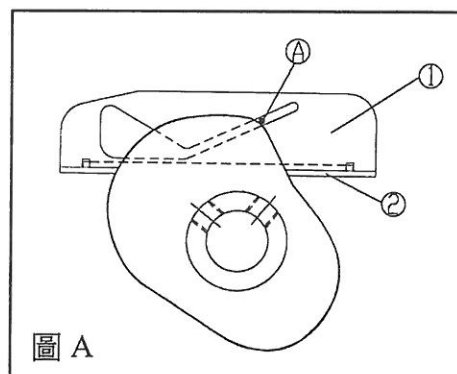
12-1 標準設定位置

先將導線板 ① 與座板 ② 的右側對齊



12-1 Position of looper thread take-up guide:

Align the looper thread take-up guide ① with the right side of the eyelet supporting plate ②.



12-2 揚線時序

針棒由上死點下降 2.8mm 時，揚線凸輪上的縫線正好通過 A 點。
時序提前可增加揚線量，時序延後可減少揚線量。

※注意：

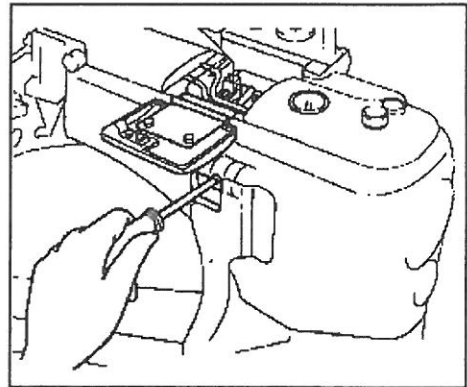
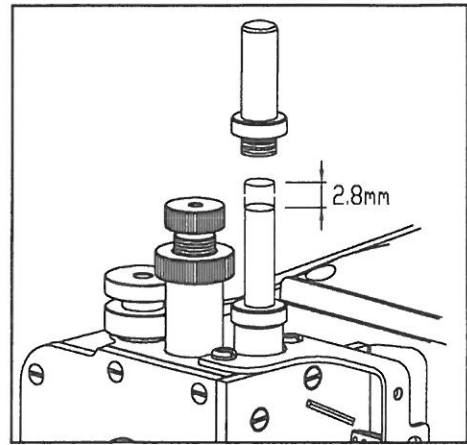
- (1) 在調整揚線凸輪的時序時，不可造成軸向的移動，以免與其它零件干涉。
- (2) 揚線時序調整過度時會造成跳針。

12-2 Timing of looper thread take-up:

Position the looper thread take-up^④ as its standard position that looper thread passes thru the point A when the needle bar^③ is 2.8 mm lower from its highest point.

Loosen the screws^⑤ to adjust it.

- To increase the looper thread take-up amount, fasten the timing.
- To decrease the looper thread take-up amount, delay the timing.



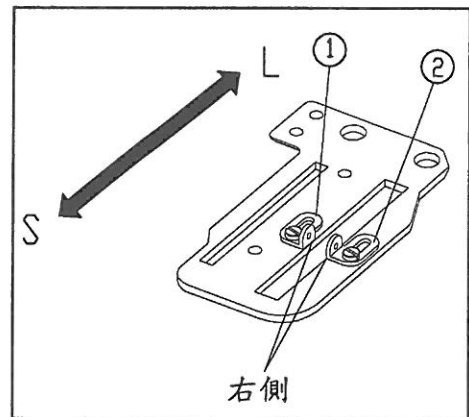
12-3 設定導線孔位置

導線孔①、②推向最右側，如右圖標準位置。
向 L 方向移動增加揚線量
向 S 方向移動減少揚線量

12-3 Position of looper thread take-up eyelet:

Set the looper thread take-up eyelets^① and ^② at the extreme right as standard. To increase the looper thread take-up amount, move them in the direction "L".

- To decrease the looper thread take-up amount, move them in the direction "S".



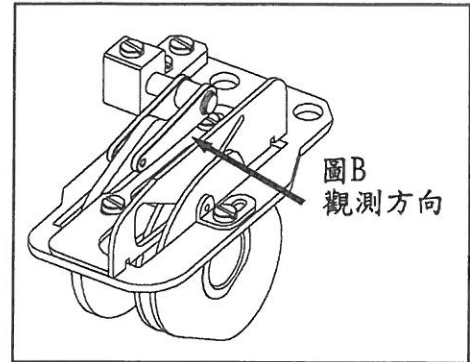
13. 飾縫結線鈎張力

飾縫結線鈎揚線凸輪設定說明時，觀測方向如右圖

13-1 標準設定位置

13-1-1 導線孔安裝位置

導線孔①距座板上表面 4.4mm，放鬆螺絲③可調整導線孔的位置。
導線孔向下調整，可增加揚線量。
導線孔向上調整，可減少揚線量。



13. Top cover thread tension

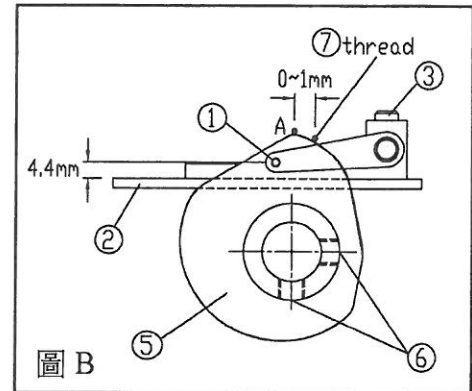
The top cover thread take-up setting and observation direction are seen as in Fig. B

13-1-1 Position of thread take-up eyelet:

The standard position is 4.4 mm. from the top of the eyelet supporting plate① to thread take-up eyelet② .

Loosen the screw③ and move the eyelet① up Or down to adjust it.

- To increase the top cover thread take-up amount, move the eyelet① downward.
- To decrease the top cover thread take-up amount, move the eyelet① upward.



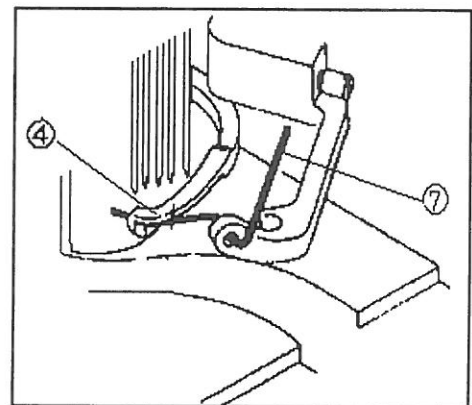
13-1-2 揚線時序

上飾線⑦被掛線鈎④鈎到時，上飾線在揚線凸輪上距 A 點 0~1mm，調整時可放鬆螺絲⑥來調整。

13-1-2 Timing of top cover thread take-up:

The moment when the top cover thread is hooked by the top cover thread hook④, the thread is at the distance 0 - 1.0 mm apart from the top (A) of the take-up⑤.

Loosen the screws⑥ to adjust it.



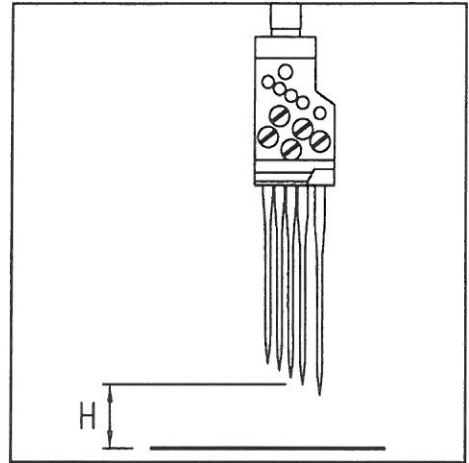
14. 設定針高

針棒在行程的最高點，由左邊算起第 4 支針距針板面高度為：

機型	高度 H
NT67-□M5	13.5
NT67-□M6	12.7

調整時拿下孔塞①，放鬆螺絲②，上下移動針棒③到適當的位置，完成後確實鎖緊螺絲②，再放回孔塞①。

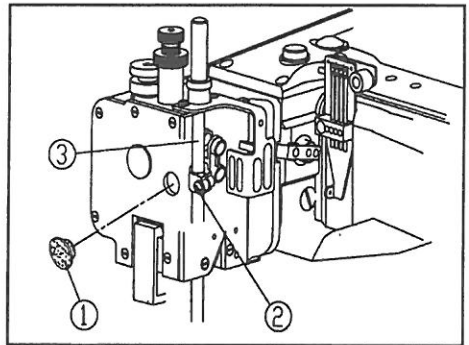
※注意，移動針棒且不可使針棒轉動造成縫針與針板干涉。



14. Setting Height of needle

Setting the height “H” of the needle from the top of the stitch plate to the tip of the fourth needle from the left when the needle is at the highest point.

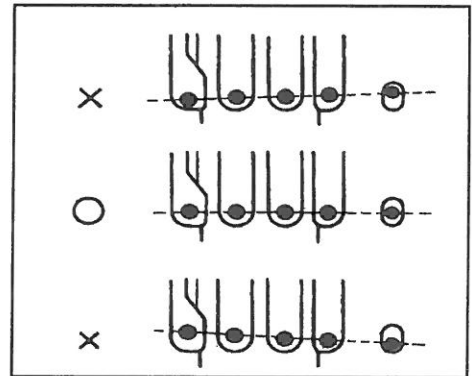
Needle distance	Height (H)
R: 5.2 mm	13.49 mm
S: 6.0 mm	12.7 mm



Adjusting height:

- (1) Remove the seal plug①.
- (2) Loosen the screw②.
- (3) Move the needle bar③ up or down to adjust the height.
- (4) Tighten the screw② securely.
- (5) Reset the seal plug①.

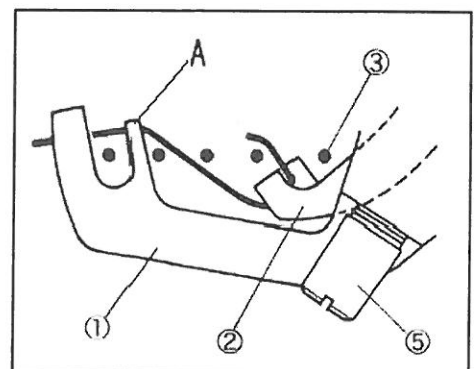
※ Caution: When moving needle bar, please make sure, there is no interference between needles and needle plate.



15. 調整上飾線掛線鈎與撥線器

15-1 撥線器設定位置

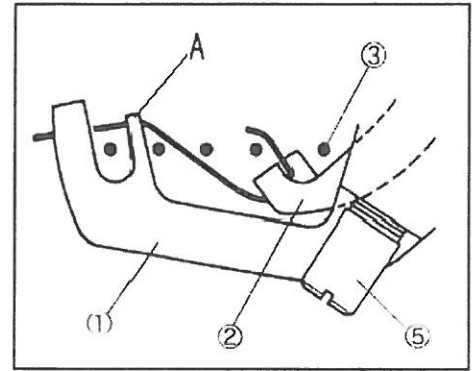
撥線器①擺向最左邊，其叉部“A”將上飾線頂出線環，使第 1、2 支針(由左邊算起)通過線環的前面。
調整時放鬆螺絲⑤移動撥線器，完成後必須確實鎖緊螺絲⑤。



15. Adjusting Top cover thread carrier and hook

15-1 Setting Top cover thread carrier:

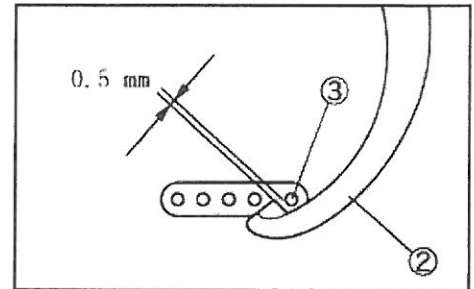
Position the top cover thread carrier^① to its left side, its fork tip will push top cover thread out from needle thread loop, so that the top cover thread loop formed when the hook passes behind the first and the second needles from the left, by the time when the carrier^① comes most nearly to the needle. Loosen the screw^② to adjust it.



15-2 掛線鉤設定位置

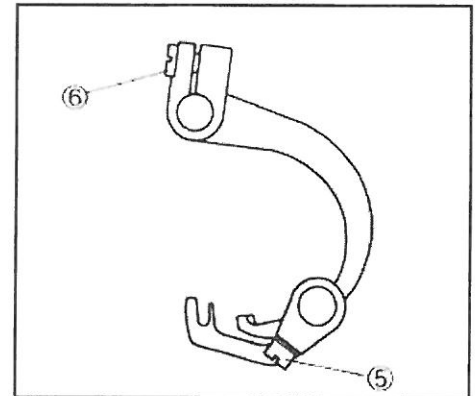
掛線鉤^②擺向最右邊時，其鉤部與定位針(最右針)間隙為 0.5mm。

掛線鉤向左擺動與撥線器^①交會時，間隙為 0.4~0.7mm。調整時放鬆螺絲^⑥，移動掛線鉤^②完成後，必須確實鎖緊螺絲^⑥。



15-2 Setting top cover thread hook:

When the top cover thread hook^② comes most near to the top cover thread carrier^①, make the clearance between them to 0.4 - 0.7 mm during one rotation. When the hook^② moves at the extreme right, make the clearance between the hook^② and the retainer^① to 0.5 mm. Loosen the screw^⑥ to adjust them.



16. 下結線鉤

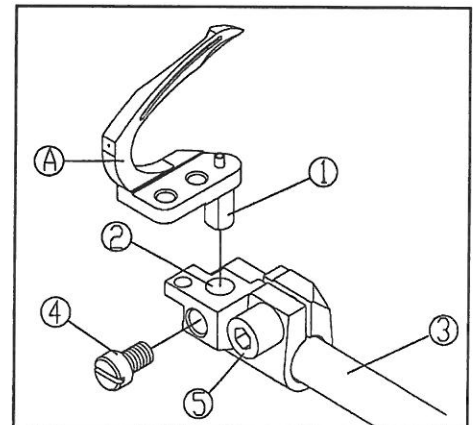
16-1 安裝

下結線鉤柄部^①完全插入承座的孔內^②，同時 A 面垂直擺動軸^③，鎖緊固定螺絲^④。

16. Looper

16-1 Installation:

Insert the looper^① into the hole of the looper holder^② in most position and tighten the screw^④ securely.



16-2 下結線鈎與針的相互關係

16-2-1 下結線鈎與針的左右位置

下結線鈎擺動到最左邊時，其鈎尖與最左針中心間距如附表。放鬆螺絲⑤調整間距後，確實再鎖緊。

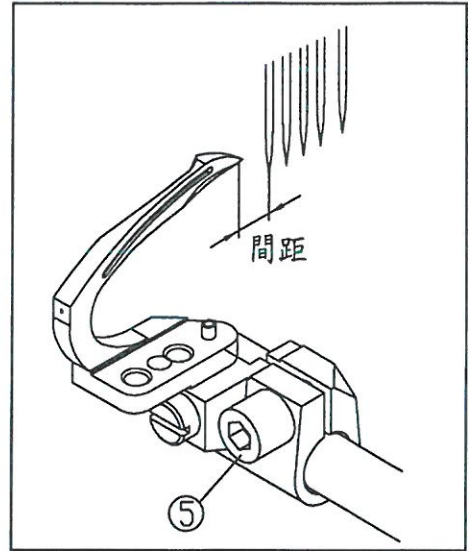
針距	間距
5.2	4.76
6.0	4.36

16-2 Distance between looper and needle:

16-2-1 Standard setting position

The standard distance between the looper tip and the center of the left needle is 4.2 - 4.8 mm, when the looper① is at the extreme left.

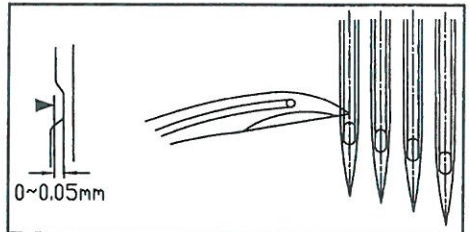
Loosen the screw⑤ to adjust it.



16-2-2 下結線鈎與針的前後位置

下結線鈎在針的後方由左向右擺動，當鈎尖擺動到左針中心時，間隙為 0~0.05mm。

放鬆螺絲⑤旋轉螺絲⑥右旋可使鈎尖貼近縫針，左旋可使鈎尖遠離縫針，調整後，確認間隙再鎖緊螺絲⑤



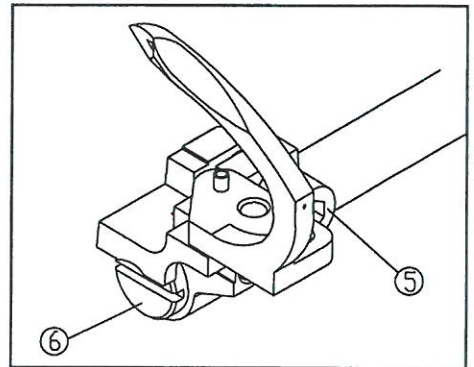
16-2-2 Front-and-rear position of looper and needle:

When the looper① moves from the left to the right, it passes behind the needle.

Adjusting its position when the looper tip comes closely to the center of the left needle with the clearance of 0 - 0.05 mm but without touching the needle.

Loosen the screw⑤ and turn the adjusting screw⑥ to adjust.

- To move forward, turn the screw⑥ clockwise.
- To move backward, turn the screw⑥ counter-clockwise.



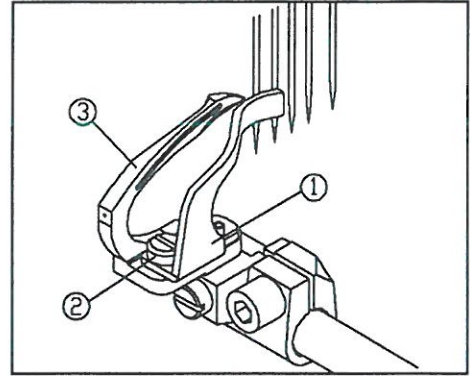
17. 前導針器

17-1 標準設定位置

當下結線鈎由左向右擺動到左針中心時，前導針器與針的間隙為 0，放鬆螺絲②調整後再確實鎖緊。

17-2 確認方法

旋轉手輪，下結線鈎由左向右擺動，從縫針的背後掃掠過，確認鈎尖擺動到左邊第一支針的中心時其間隙為 0，同時導針器與針的間隙也為 0。



17. Needle guard (front)

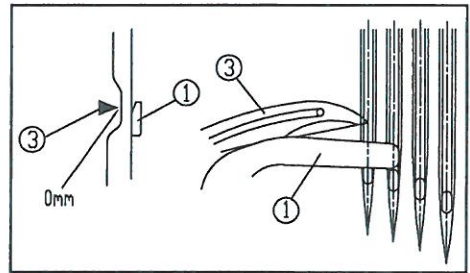
17-1 Standard setting position:

Push the needle guard(front)① so that the clearance between the needle and the looper is 0 mm, when the looper tip comes at the center of the left needle.

Loosen the screw② to adjust it.

17-2 Checking

Check the looper tip touches the back of the needle and the needle does not swing to the right, when the looper③ moves from the left to the right while rotating the hand wheel.



18. 後導針器

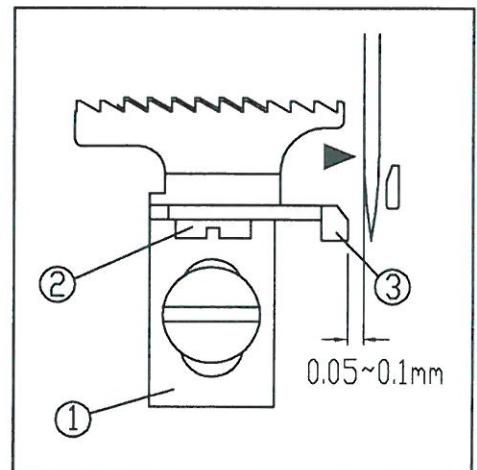
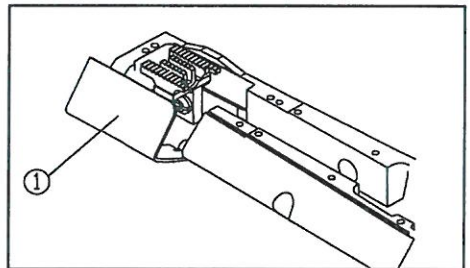
後導針器在最接近縫針時，其間隙為 0.05~0.1mm，打開下結線鈎護蓋①，放鬆螺絲②調整後導針③，再確實鎖緊螺絲。

18. Needle guard(rear)

18-1 Standard setting position:

Make the standard clearance between the needle guard(rear)③ and the left needle to 0.05 - 0.1 mm, when they meet most closely.

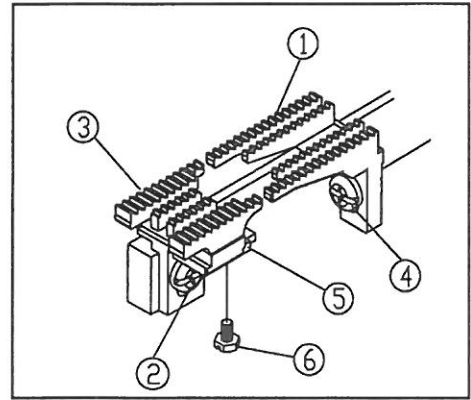
Open the looper cover and loosen the screw② to adjust it. check the needle does not swing to the right when the looper moves from the left to the right while rotating the hand wheel.



19. 設定送布齒高度

19-1 安裝送布齒

主送布齒③差動送布齒①是分別由螺絲②及④來固定的。
先將後導針器⑤推向最後方，輕輕鎖緊螺絲⑥。



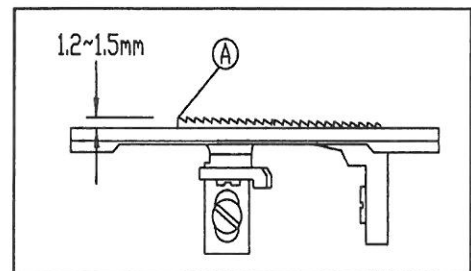
19. Height of feed dog

19-1 Installation:

Fix the differential feed dog① and the main feed dog③ with the screws② and ④ respectively.
Set the needle guard(rear)⑤ on the main feed dog and tighten it at the most rear position with the screw⑥ slightly.
Note: See “section 18 Needle guard(rear)” to adjust it.

19-2 設定送布齒高度標準設定位置

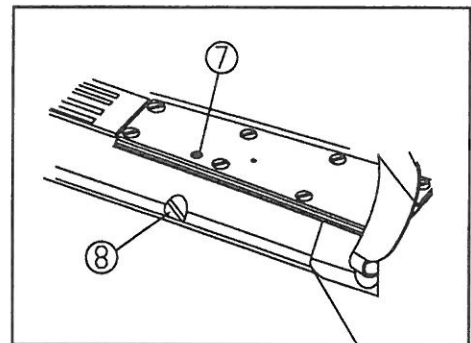
送布齒運行到行程的最高點，如右圖，其主送布齒的 A 點浮出針板面 1.2~1.5mm。副送布齒則順著主送布齒的齒面斜度平順的安裝，必要做齒面高度微調時，可放鬆固定螺絲⑦，旋轉偏心梢⑧來升降送布齒的齒面高度。



19-2 Setting the standard height of feed dogs

Setting the height from the top of the stitch plate to the tip of teeth of the main feed dog A to 1.2 - 1.5 mm when the feed dog is at its highest position.
Align the differential feed dog evenly with the main feed dog.
Make micro - adjustment of height of the main feed dogs, and the differential feed dogs with the feed bar eccentric pin⑧, near the center of the cylinder bed.
Loosen the screw⑦ and move the pin⑧ to adjust it.

- To raise the feed dog, turn the pin⑧ clockwise.
- To lower the feed dog, turn the pin⑧ counter-clockwise.



20. 更換壓腳組

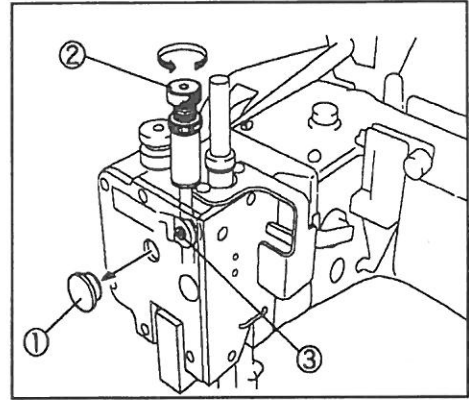
20-1 請依照以下順序取下壓腳組

1. 取下孔塞①取下所有的縫針。
2. 取下調整螺樁②放鬆螺絲③。

20. Replacing presser foot

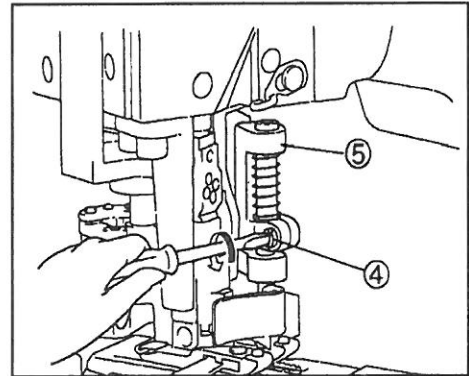
20-1 Removing:

- (1) Remove all needles and the seal plug①.
- (2) Loosen the adjusting screw② and then the screw③ form the presser bar connecting bracket.



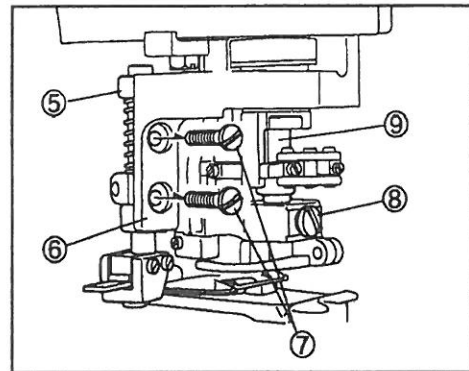
3. 放鬆螺絲④釋放活動刀片的壓力。

- (3) Loosen the screw④ form the knife holder guide collar to be free the complete set including the upper knife, the knife holder, and the knife holder shank.



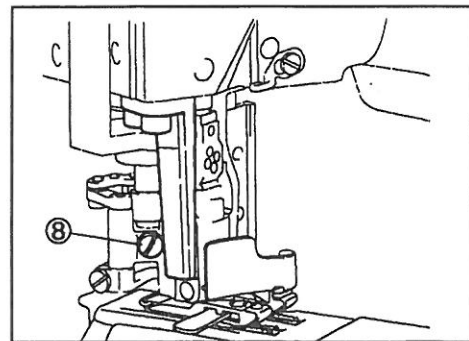
4. 取下螺絲⑦取下活動刀架組⑤。

- (4) Loosen two screws⑦ form the knife holder bracket⑥ to remove the knife holder guide collar set⑤ and the upper knife.



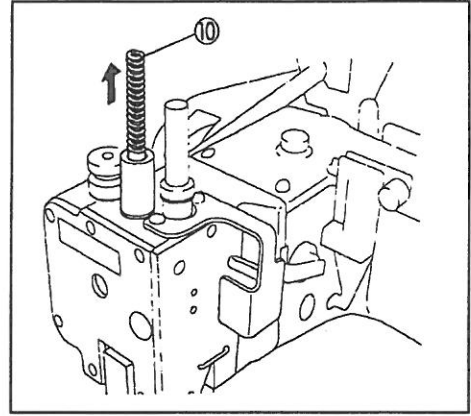
5. 放鬆壓腳棒固定螺絲⑧。

- (5) Loosen the screw⑧ on the back of the presser foot.



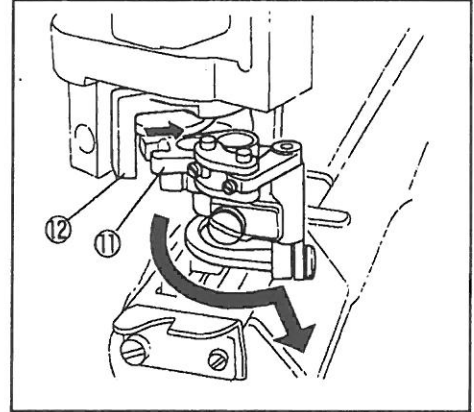
6. 旋轉手輪將針棒升到最高點。將壓力彈簧與壓腳棒⑩同時抽出。

- (6) Rotate the hand wheel to raise the needlebar at its highest point.
Remove the adjusting screw ② and keep the presser bar ⑨ and the presser spring ⑩ upward when taking off from the presser foot.



7. 將驅動梢⑫與驅動叉⑪脫離。
8. 依箭頭指示方向旋轉壓腳組，即可取出壓腳組。

- (7) Remove the carrier/hook driving segment ⑪ from the lever ⑫ on the carrier/hook driving sleeve.
(8) Turn the presser foot set to the left and remove it through the presser foot guides (left) and (right) backward as shown as arrow direction.



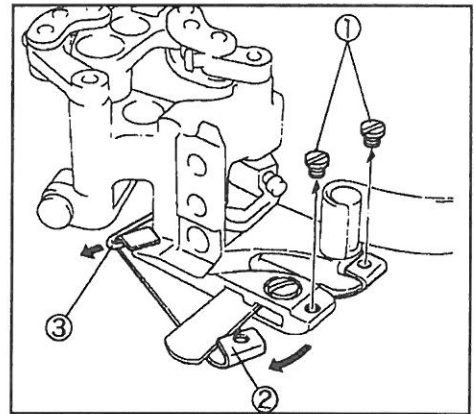
20-2 更換彈性壓板

1. 取下螺絲①。
2. 依箭頭方向先取下一邊的彈性壓板，再取下另一邊。
3. 更換後依反方向再次裝回壓板

20-2 Replacing presser foot spring plate:

Removing:

- (1) Remove the screws ①.
- (2) Remove the presser foot spring plates ② from the presser foot.
- (3) Remove each plate ② from the spring plate holder ③.



Resetting

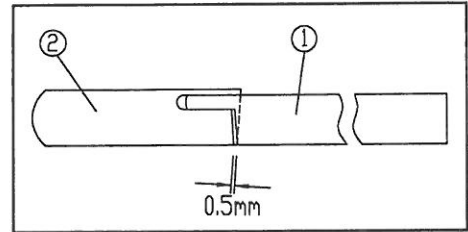
- (1) Reset each presser foot spring plate ② with the spring plate holder ③.
- (2) Reset the plates ② parallel each other underneath the presser foot ②.
- (3) Tighten the screws ① securely.

21. 調整更換修邊刀

21-1 上下刀之間的迫緊壓力

縫針在行程的上死點，上刀擺向最左邊，壓腳貼緊針板面，上下刀嚙合最大時，上刀架內面與定位叉下面之間間隙為 1mm。

放鬆螺絲⑩，上下移動定位叉⑪，可變換迫緊壓力調整後必須確認上下刀片，沒有與壓腳干涉。



21. Replacing and adjusting knives

21-1 Pressure between upper knife and lower knife:

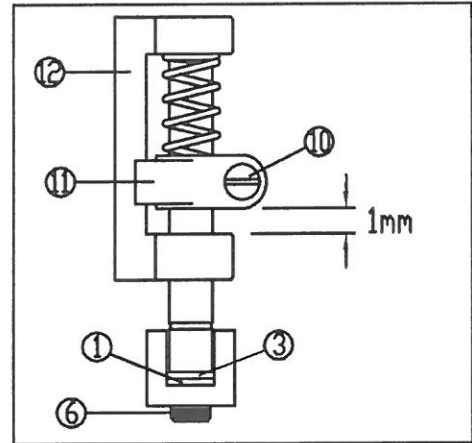
When the needle is at its highest point and the upper knife① is at the extreme left, the presser foot touches the stitch plate, and the upper knife① touches the lower knife② closely. The standard clearance between the bearings of the knife holder shank support③ and the knife holder guide collar④ is 1.0 mm.

Loosen the screw⑤ and move the knife holder guide collar④ to adjust the pressure between upper knife and lower knife.

- To increase the pressure, move the collar④ Up ward.
- To decrease the pressure, move the collar④ downward.

Note: Align the front sides of the upper① and the lower② knives and can not touching the presser foot.

After checking, tighten the knife holder guide collar④ with the screw.



21-2 更換刀片

21-2-1 更換上刀片

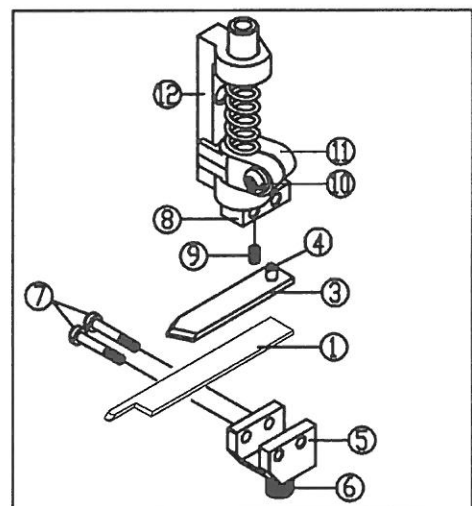
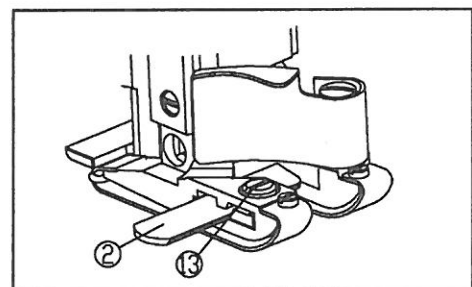
放鬆螺絲⑥即可抽出上刀片，更換後確實鎖緊螺絲⑥。

21-2-2 更換下刀片

放鬆螺絲⑬即可抽出下刀片②，更換後確實鎖緊螺絲⑬。

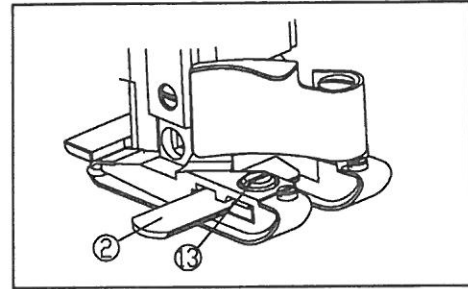
微調上下刀的剪切角度，分解①③④⑤⑥⑦露出螺絲⑨，微調螺絲⑨的凸出量，可改變上刀水平方向的剪切角度。

※注意，螺樁④不可凸出壓板③的底面。



21-2-1 Changing the knives:

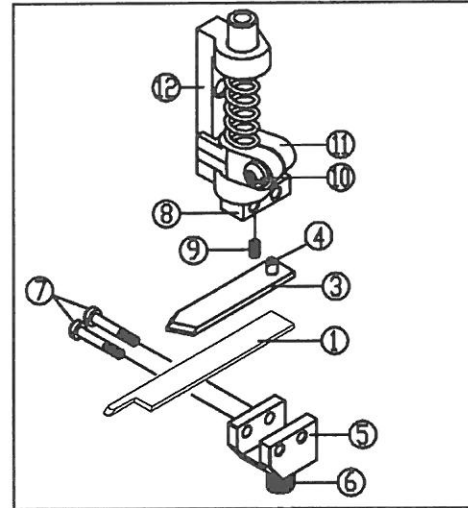
- (1) Loosen the screws ⑤ and ⑥ to remove the upper knife ①.
- (2) Loosen the screw ⑦ to remove the lower knife ②.
- (3) Reset the lower knife ② with the screw ⑦.
- (4) Reset the upper knife ① with the screw ⑥.
See "9" Adjusting lapped width of upper fabric
for engagement of the knives.
- (5) Adjust the knife holder guide collar ④,
referring to above "Pressure of upper knife" .



21-2-2 Adjusting knives

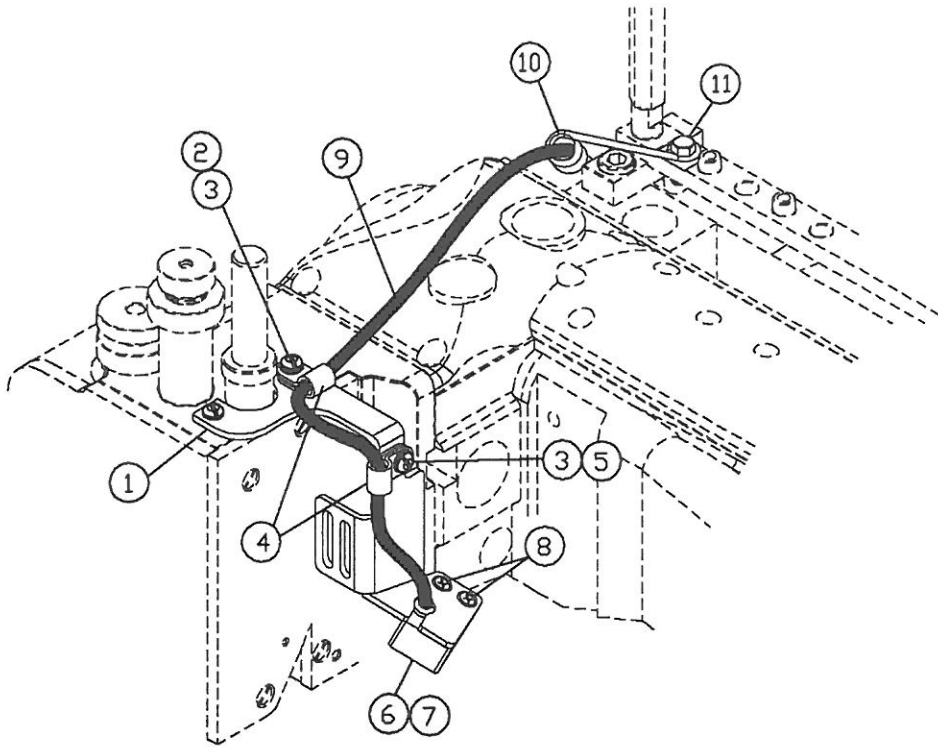
Remove the parts ① to ⑤ first. and turn the screw ⑥ to adjust the engaging angles between upper knife and lower knife.

When adjusting, make sure the screw ⑦ can not out from the flat bottom of knife support ⑤ and then, insert it into the bracket hole ⑧ and tighten it.



22.LED 燈安裝位置 LED light installation position

LED 燈安裝位置圖





NTD7701
4-Needle, 6-Thread Flat-Seamer,
Feed-Off-The-Arm Machine



MT4512P-050 / PMD / FR01
12-Needle Double Chain Stitch Machine
(Lower Feed Metering Device \ Elastic hemmer)



UHU9304/TR025
Automatic chain cutter device direct-drive
cylinder bed top feed overlock fitted with
labor-saving rib folder



CXM2085-0-356M
Attaching Pre-Closed Flat Knit Elastic Band Onto
Waists Of Tubular Goods
(With Right Knife, Rear Puller & Chips Suction Pipe)



精機機械廠股份有限公司
CHING CHI MACHINE CO., LTD
<http://www.kingtexsewing.com.tw>

The specifications and / or appearances of the equipments described in
this catalogue are subject to change without further notice.

本目錄所述產品，因更新或改良，可能不經事前預告，而對產品之外觀，規格，內容進行修改，特此聲明敬請鑒諒。