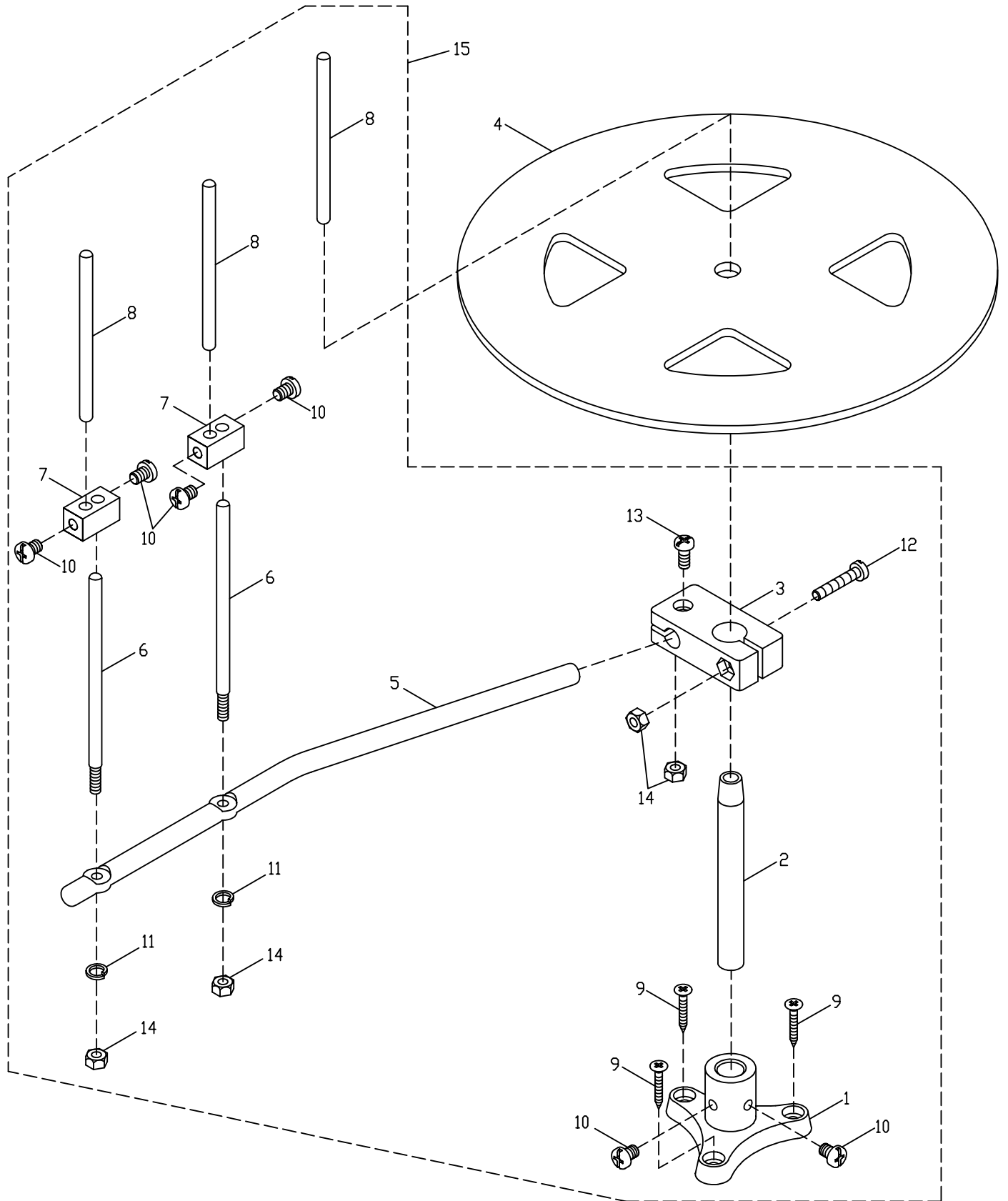


1.TS008 滾條架 Tape Stand



1.TS008 滾條架 Tape Stand

| 序號 Ref.No. | 圖號 Parts No. | 名稱 Description | 單位用量 Amt.Req. |
|---------------|-----------------|-----------------------------------|------------------|
| 1 | 4TS0080101 | 座 Stand Base ----- | 1 |
| 2 | 4TS0080102 | 立柱 Rod ----- | 1 |
| 3 | 4TS0080103 | 接頭 Joint ----- | 1 |
| 4 | 4TS0050101 | 承盤 Plastic Plate ----- | 1 |
| 5 | 4TS0080105 | 旋臂 Arm ----- | 1 |
| 6 | 4TS0080106 | 線盤軸 Spool Pin ----- | 2 |
| 7 | 4TS0080107 | 定位調整塊 Tape Adjusting Holder ----- | 2 |
| 8 | 4TS0080108 | 軸 Shaft ----- | 3 |
| 9 | 8ME34002500A | 木螺絲 Wood Screw ----- | 3 |
| 10 | 8MC06400810A | 螺絲 Screw ----- | 6 |
| 11 | 90SW050 | 彈簧墊圈 Spring Washer ----- | 2 |
| 12 | 8MC05322709A | 螺絲 Screw ----- | 1 |
| 13 | 8MC05321109A | 螺絲 Screw ----- | 1 |
| 14 | 8MA03200408A | 螺帽 Nut ----- | 4 |
| 15 | 4TS008A0115 | 滾條架組 Tape Stand Asm. ----- | 1 |