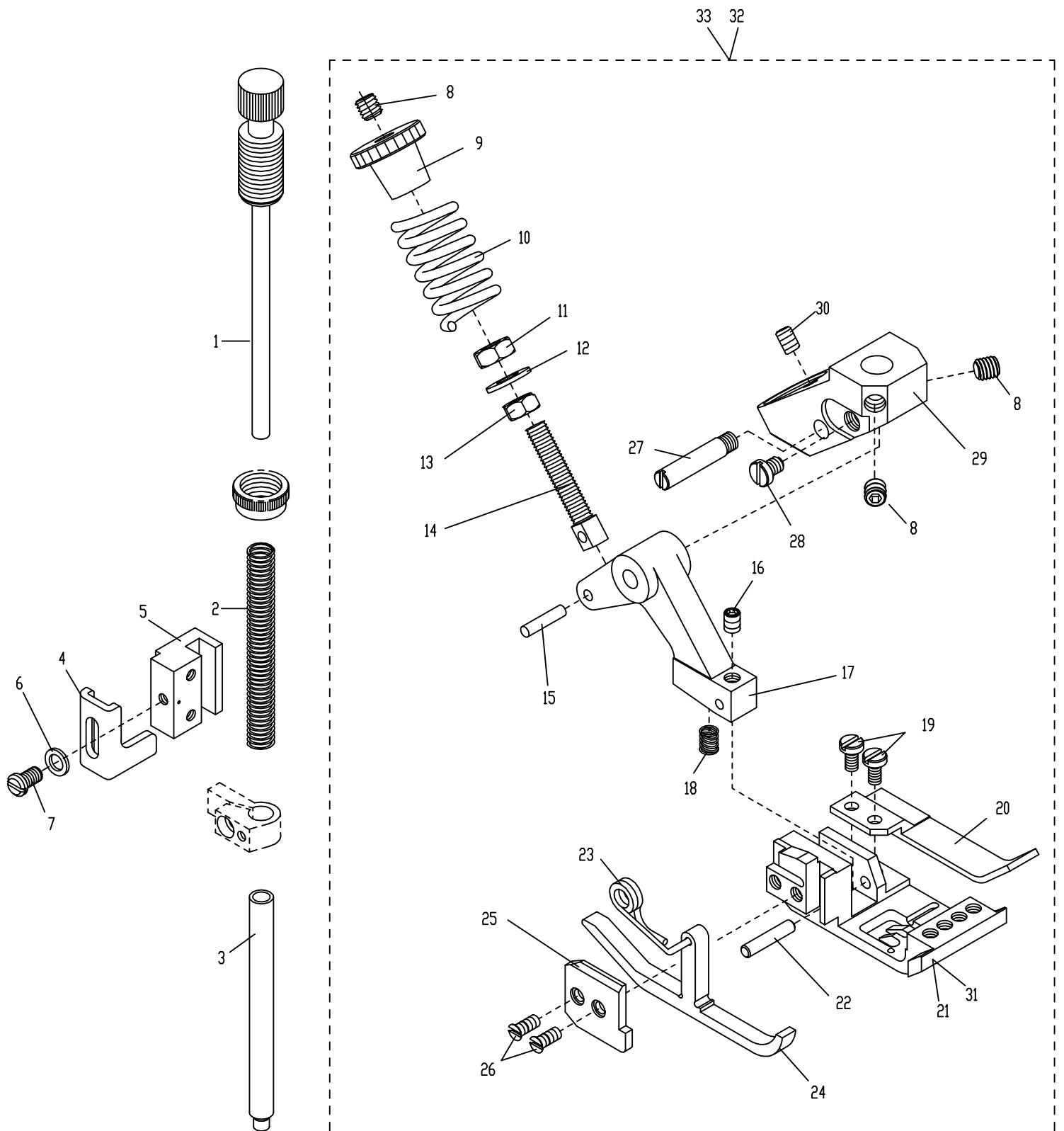


# 1. WF001 / WF01A 活動壓腳機構 Working Foot Components



# 1. WF001 / WF01A 活動壓腳機構 Working Foot Components

序號 Ref.No.	物料編號 Parts No.	名稱 Description	單位用量 Amt. Req.
1	4WF0010101	壓力調整螺椿 Spring Regulator -----	1
2	4WF0010102	彈簧 Spring -----	1
3	4WF0010103	壓腳椿 Presser Bar -----	1
4	4WF0010104	限位塊 Stopper Block -----	1
5	4WF0010105	滑道 Guide Block -----	1
6	2220001130	墊圈 Washer -----	1
7	8MC95300808E	螺絲 Screw (CT1038 M4.5-0.75*8) -----	1
8	8MN04280400A	螺絲 Screw (CT0229 M4-0.7*4) -----	3
9	5220WF1156M	螺帽 Nut -----	1
10	5220WF1156L	彈簧 Spring -----	1
11	8MA04280307A	螺帽 Nut (CT0238 M4-0.7*3) -----	1
12	90PW040	墊圈 Washer -----	1
13	8MA04280306A	螺帽 Nut (WF0010113 M4-0.7*3) -----	1
14	5220WF1156D	連接桿 Lever -----	1
15	5220WF1156E	插銷 Pin -----	1
16	8MN03200300A	螺絲 Screw (CT0115 M3-0.5*3) -----	1
17	5220WF1156B	壓腳柄 Press Foot Arm -----	1
18	5220PF0056I	彈簧 Compress Spring -----	1
19	8SB24560405A	螺絲 Screw (FT1001 3/32"-56*3.8) -----	1
20	5220WF1156K	輔助壓腳底 Presser Foot Guide -----	1
*21	5220WF1156A	壓腳底 Presser Foot Guide -----	1
22	5220WF1156G	插銷 Pin -----	1
23	5220PF0056G	彈簧 Spring -----	1
24	5220WF1156H	輔助壓腳底 Presser Foot Guide -----	1
25	5220WF1156J	側蓋 Filter Cover -----	1
26	8SE24560504A	螺絲 Screw (C0814-H 3/32"-56*5.5) -----	1
27	5220WF1156F	輸銷 Carriage Pin -----	1
28	8MB03200405A	螺絲 Screw (FT0548 M3-0.5*4) -----	1
29	5220WF1156C	壓腳柄 Press Foot Arm -----	1
30	8MN03200500A	螺絲 Screw (RP0331 M3-0.5*5) -----	1
**31	5220WF1164A	壓腳底 Presser Foot Guide -----	1
**32	5220WF11640	壓腳組 Presser Foot Asm. -----	1
*33	5220WF11560	壓腳組 Presser Foot Asm. -----	1

\* : 針距 5.6 用 For 5.6 Needle Distance Use

\*\* : 針距 6.4 用 For 6.4 Needle Distance Use

WF001 : CT9011 / CTD9011 針距 5.6 用

WF01A : CT9011 / CTD9011 針距 6.4 用